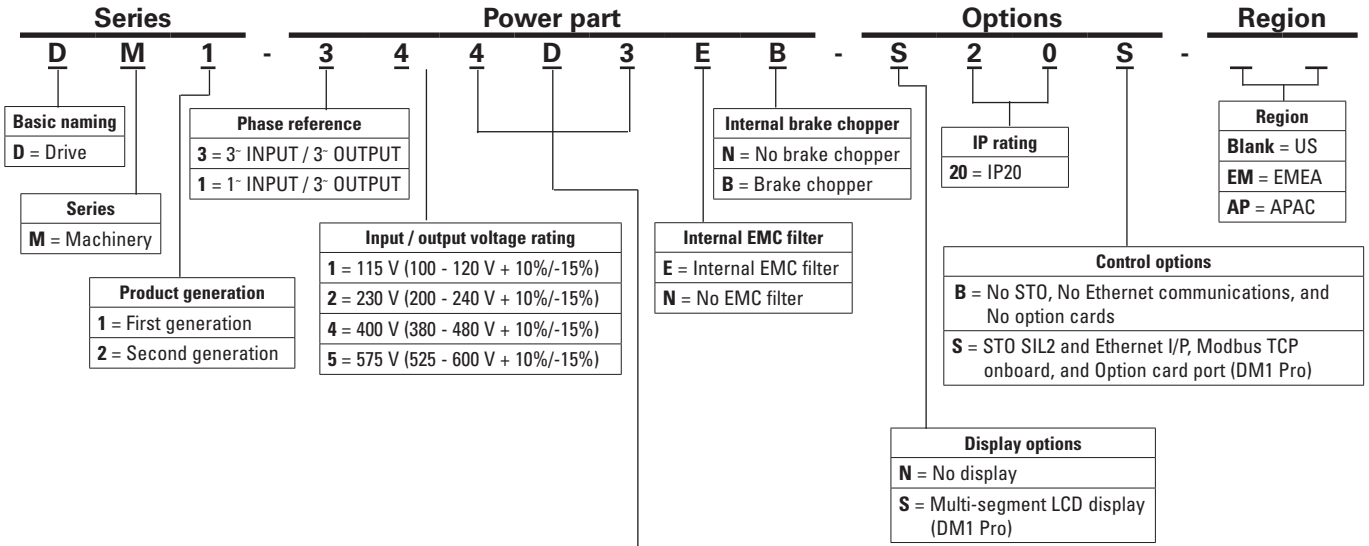


### Catalog number system

Figure 2 is for illustrative purposes only, please select a part number from the table below.

Figure 2. Catalog numbering system.



| Output current rating (single phase) |                                | Output current rating (three phase) |                                  |                                  |
|--------------------------------------|--------------------------------|-------------------------------------|----------------------------------|----------------------------------|
| 100 - 120 v                          | 200 - 240 v                    | 200 - 240 v                         | 380 - 480 v                      | 525 - 600 v                      |
| 1D6 = 1.6 A, 0.18 kW, 0.25 hp        | 1D6 = 1.6 A, 0.18 kW, 0.25 hp  | 1D6 = 1.6 A, 0.18 kW, 0.25 hp       | 1D5 = 1.5 A, 0.37 kW, 0.50 hp    | 4D5 = 4.5 A, 2.20 kW, 3.00 hp    |
| 3D0 = 3.0 A, 0.37 kW, 0.50 hp        | 3D0 = 3.0 A, 0.37 kW, 0.50 hp  | 3D0 = 3.0 A, 0.37 kW, 0.50 hp       | 2D2 = 2.2 A, 0.75 kW, 1.00 hp    | 7D5 = 7.5 A, 3.00 kW, 5.00 hp    |
| 4D8 = 4.8 A, 0.75 kW, 1.00 hp        | 4D8 = 4.8 A, 0.75 kW, 1.00 hp  | 4D8 = 4.8 A, 0.75 kW, 1.00 hp       | 4D3 = 4.3 A, 1.50 kW, 2.00 hp    | 010 = 10.0 A, 5.50 kW, 7.50 hp   |
| 6D9 = 6.9 A, 1.10 kW, 1.50 hp        | 7D8 = 7.8 A, 1.50 kW, 2.00 hp  | 7D8 = 7.8 A, 1.50 kW, 2.00 hp       | 5D6 = 5.6 A, 2.20 kW, 3.00 hp    | 013 = 13.5 A, 7.50 kW, 10.00 hp  |
|                                      | 011 = 11.0 A, 2.20 kW, 3.00 hp | 011 = 11.0 A, 2.20 kW, 3.00 hp      | 7D6 = 7.6 A, 3.00 kW, 5.00 hp    | 018 = 18.0 A, 11.00 kW, 15.00 hp |
|                                      | 017 = 17.5 A, 4.00 kW, 5.00 hp | 017 = 17.5 A, 4.00 kW, 5.00 hp      | 012 = 12.0 A, 5.50 kW, 7.50 hp   | 022 = 22.0 A, 15.00 kW, 20.00 hp |
|                                      |                                | 025 = 25.3 A, 5.50 kW, 7.50 hp      | 016 = 16.0 A, 7.50 kW, 10.00 hp  |                                  |
|                                      |                                | 032 = 32.2 A, 7.50 kW, 10.00 hp     | 023 = 23.0 A, 11.00 kW, 15.00 hp |                                  |
|                                      |                                | 048 = 48.3 A, 11.00 kW, 15.00 hp    | 031 = 31.0 A, 15.00 kW, 20.00 hp |                                  |
|                                      |                                |                                     | 038 = 38.0 A, 18.50 kW, 25.00 hp |                                  |

**Shading legend**

|     |     |     |     |
|-----|-----|-----|-----|
| FR1 | FR2 | FR3 | FR4 |
|-----|-----|-----|-----|

**DM1 option cards list:**

- 1) DXM-NET-PROFIBUS : DM1 PROFIBUS communications card
- 2) DXM-NET-CANOPEN : DM1 CANOPEN communication card
- 3) DXG-NET-SWD-IP20 DM1/DG1: Smartwire communication card and module IP20
- 4) DXG-NET-SWD-IP54 DM1/DG1 : Smartwire communication card and module IP54

## Power ratings and product selection

**Table 2. PowerXL DM1 Series drives 230 V 3-phase input.**

| Frame size | Constant torque (CT)/high overload (I <sub>n</sub> ) |                 |           | Variable torque (VT)/low overload (I <sub>r</sub> ) |                 |           | No EMC Catalog number | With EMC Catalog number |
|------------|--|-----------------|-----------|---|-----------------|-----------|-----------------------|-------------------------|
|            | 230 V, 50 Hz kW rating                               | 230 V, 60 Hz hp | Current A | 230 V, 50 Hz kW rating                              | 230 V, 60 Hz hp | Current A |                       |                         |
| FR1        | 0.18   | 0.25            | 1.6       | 0.37  | 0.5             | 2.5       | DM1-321D6NB-N20B      | DM1-321D6EB-N20B        |
|            | 0.37   | 0.5             | 3         | 0.75  | 1               | 4.8       | DM1-323D0NB-N20B      | DM1-323D0EB-N20B        |
|            | 0.75   | 1               | 4.8       | 1.5   | 2               | 7.8       | DM1-324D8NB-N20B      | DM1-324D8EB-N20B        |
|            | 1.5  | 2               | 7.8       | 2.2   | 3               | 11        | DM1-327D8NB-N20B      | DM1-327D8EB-N20B        |
| FR2        | 2.2  | 3               | 11        | 4   | 5               | 17.5      | DM1-32011NB-N20B      | DM1-32011EB-N20B        |
|            | 4  | 5               | 17.5      | 5.5   | 7.5             | 25.3      | DM1-32017NB-N20B      | DM1-32017EB-N20B        |
| FR3        | 5.5  | 7.5             | 25.3      | 7.5   | 10              | 32.2      | DM1-32025NB-N20B      | DM1-32025EB-N20B        |
| FR4        | 7.5  | 10              | 32.2      | 11  | 15              | 48.3      | DM1-32032NB-N20B      | DM1-32032EB-N20B        |
|            | 11   | 15              | 48.3      | 15  | 20              | 62.1      | DM1-32048NB-N20B      | DM1-32048EB-N20B        |

**Table 3. PowerXL DM1 Series drives 480 V 3-phase input.**

| Frame size | Constant torque (CT)/high overload (I <sub>n</sub> ) |                 |           | Variable torque (VT)/low overload (I <sub>r</sub> ) |                 |           | No EMC Catalog number | With EMC Catalog number |
|------------|--|-----------------|-----------|---|-----------------|-----------|-----------------------|-------------------------|
|            | 480 V, 50 Hz kW rating                               | 480 V, 60 Hz hp | Current A | 480 V, 50 Hz kW rating                              | 480 V, 60 Hz hp | Current A |                       |                         |
| FR1        | 0.37   | 0.5             | 1.5       | 0.75  | 1               | 2.2       | DM1-341D5NB-N20B      | DM1-341D5EB-N20B        |
|            | 0.75   | 1               | 2.2       | 1.5   | 2               | 4.3       | DM1-342D2NB-N20B      | DM1-342D2EB-N20B        |
|            | 1.5  | 2               | 4.3       | 2.2   | 3               | 5.6       | DM1-344D3NB-N20B      | DM1-344D3EB-N20B        |
|            | 2.2  | 3               | 5.6       | 3   | 5               | 7.6       | DM1-345D6NB-N20B      | DM1-345D6EB-N20B        |
| FR2        | 3  | 5               | 7.6       | 5.5   | 7.5             | 12        | DM1-347D6NB-N20B      | DM1-347D6EB-N20B        |
|            | 5.5  | 7.5             | 12        | 7.5   | 10              | 16        | DM1-34012NB-N20B      | DM1-34012EB-N20B        |
|            | 7.5  | 10              | 16        | 11  | 15              | 23        | DM1-34016NB-N20B      | DM1-34016EB-N20B        |
| FR3        | 11   | 15              | 23        | 15  | 20              | 31        | DM1-34023NB-N20B      | DM1-34023EB-N20B        |
| FR4        | 15   | 20              | 31        | 18.5  | 25              | 38        | DM1-34031NB-N20B      | DM1-34031EB-N20B        |
|            | 18.5   | 25              | 38        | 22  | 30              | 46        | DM1-34038NB-N20B      | DM1-34038EB-N20B        |

**Table 4. PowerXL DM1 PRO Series drives 115 V single phase input.**

| Frame size | Constant torque (CT)/high overload (I <sub>n</sub> ) |                 |           | Variable torque (VT)/low overload (I <sub>r</sub> ) |                 |           | No EMC Catalog number | With EMC Catalog number |
|------------|--|-----------------|-----------|---|-----------------|-----------|-----------------------|-------------------------|
|            | 230 V, 50 Hz kW rating                               | 230 V, 60 Hz hp | Current A | 230 V, 50 Hz kW rating                              | 230 V, 60 Hz hp | Current A |                       |                         |
| FR1        | 0.18   | 0.25            | 1.6       | 0.37  | 0.5             | 2.5       | DM1-111D6NB-S20S      | DM1-111D6EB-S20S        |
|            | 0.37   | 0.5             | 3         | 0.75  | 1               | 4.8       | DM1-113D0NB-S20S      | DM1-113D0EB-S20S        |
| FR2        | 0.75   | 1               | 4.8       | 1.1   | 1.5             | 6.9       | DM1-114D8NB-S20S      | DM1-114D8EB-S20S        |
|            | 1.1  | 1.5             | 6.9       | 1.5   | 2               | 7.8       | DM1-116D9NB-S20S      | DM1-116D9EB-S20S        |

**Table 5. PowerXL DM1 PRO Series drives 230 V single phase input.**

| Frame size | Constant torque (CT)/high overload (I <sub>H</sub> ) |                 |           | Variable torque (VT)/low overload (I <sub>L</sub> ) |                 |           | No EMC Catalog number | With EMC Catalog number |
|------------|--|-----------------|-----------|---|-----------------|-----------|-----------------------|-------------------------|
|            | 230 V, 50 Hz kW rating                               | 230 V, 60 Hz hp | Current A | 230 V, 50 Hz kW rating                              | 230 V, 60 Hz hp | Current A |                       |                         |
| FR1        | 0.18   | 0.25            | 1.6       | 0.37  | 0.5             | 2.5       | DM1-121D6NB-S20S      | DM1-121D6EB-S20S        |
|            | 0.37   | 0.5             | 3         | 0.75  | 1               | 4.8       | DM1-123D0NB-S20S      | DM1-123D0EB-S20S        |
|            | 0.75   | 1               | 4.8       | 1.5   | 2               | 7.8       | DM1-124D8NB-S20S      | DM1-124D8EB-S20S        |
| FR2        | 1.5  | 2               | 7.8       | 2.2   | 3               | 11        | DM1-127D8NB-S20S      | DM1-127D8EB-S20S        |
|            | 2.2  | 3               | 11        | 4   | 5               | 17.5      | DM1-12011NB-S20S      | DM1-12011EB-S20S        |
| FR3        | 4  | 5               | 17.5      | 5.5   | 7.5             | 25.3      | DM1-12017NB-S20S      | DM1-12017EB-S20S        |

**Table 6. PowerXL DM1 PRO Series drives 230 V 3-phase input.**

| Frame size | Constant torque (CT)/high overload (I <sub>H</sub> ) |                 |           | Variable torque (VT)/low overload (I <sub>L</sub> ) |                 |           | No EMC Catalog number | With EMC Catalog number |
|------------|--|-----------------|-----------|---|-----------------|-----------|-----------------------|-------------------------|
|            | 230 V, 50 Hz kW rating                               | 230 V, 60 Hz hp | Current A | 230 V, 50 Hz kW rating                              | 230 V, 60 Hz hp | Current A |                       |                         |
| FR1        | 0.18   | 0.25            | 1.6       | 0.37  | 0.5             | 2.5       | DM1-321D6NB-S20S      | DM1-321D6EB-S20S        |
|            | 0.37   | 0.5             | 3         | 0.75  | 1               | 4.8       | DM1-323D0NB-S20S      | DM1-323D0EB-S20S        |
|            | 0.75   | 1               | 4.8       | 1.5   | 2               | 7.8       | DM1-324D8NB-S20S      | DM1-324D8EB-S20S        |
|            | 1.5  | 2               | 7.8       | 2.2   | 3               | 11        | DM1-327D8NB-S20S      | DM1-327D8EB-S20S        |
| FR2        | 2.2  | 3               | 11        | 4   | 5               | 17.5      | DM1-32011NB-S20S      | DM1-32011EB-S20S        |
|            | 4  | 5               | 17.5      | 5.5   | 7.5             | 25.3      | DM1-32017NB-S20S      | DM1-32017EB-S20S        |
| FR3        | 5.5  | 7.5             | 25.3      | 7.5   | 10              | 32.2      | DM1-32025NB-S20S      | DM1-32025EB-S20S        |
| FR4        | 7.5  | 10              | 32.2      | 11  | 15              | 48.3      | DM1-32032NB-S20S      | DM1-32032EB-S20S        |
|            | 11   | 15              | 48.3      | 15  | 20              | 62.1      | DM1-32048NB-S20S      | DM1-32048EB-S20S        |

**Table 7. PowerXL DM1 PRO Series drives 480 V 3-phase input.**

| Frame size | Constant torque (CT)/high overload (I <sub>H</sub> ) |                 |           | Variable torque (VT)/low overload (I <sub>L</sub> ) |                 |           | No EMC Catalog number | With EMC Catalog number |
|------------|--|-----------------|-----------|---|-----------------|-----------|-----------------------|-------------------------|
|            | 480 V, 50 Hz kW rating                               | 480 V, 60 Hz hp | Current A | 480 V, 50 Hz kW rating                              | 480 V, 60 Hz hp | Current A |                       |                         |
| FR1        | 0.37   | 0.5             | 1.5       | 0.75  | 1               | 2.2       | DM1-341D5NB-S20S      | DM1-341D5EB-S20S        |
|            | 0.75   | 1               | 2.2       | 1.5   | 2               | 4.3       | DM1-342D2NB-S20S      | DM1-342D2EB-S20S        |
|            | 1.5  | 2               | 4.3       | 2.2   | 3               | 5.6       | DM1-344D3NB-S20S      | DM1-344D3EB-S20S        |
|            | 2.2  | 3               | 5.6       | 3   | 5               | 7.6       | DM1-345D6NB-S20S      | DM1-345D6EB-S20S        |
| FR2        | 3  | 5               | 7.6       | 5.5   | 7.5             | 12        | DM1-347D6NB-S20S      | DM1-347D6EB-S20S        |
|            | 5.5  | 7.5             | 12        | 7.5   | 10              | 16        | DM1-34012NB-S20S      | DM1-34012EB-S20S        |
|            | 7.5  | 10              | 16        | 11  | 15              | 23        | DM1-34016NB-S20S      | DM1-34016EB-S20S        |
| FR3        | 11   | 15              | 23        | 15  | 20              | 31        | DM1-34023NB-S20S      | DM1-34023EB-S20S        |
| FR4        | 15   | 20              | 31        | 18.5  | 25              | 38        | DM1-34031NB-S20S      | DM1-34031EB-S20S        |
|            | 18.5   | 25              | 38        | 22  | 30              | 46        | DM1-34038NB-S20S      | DM1-34038EB-S20S        |