

Catalog Number
Notes
Type

FEATURES & SPECIFICATIONS

INTENDED USE — Single and twin LED remote lamps for indoor and outdoor applications, for use as part of an emergency lighting system, providing light for path of egress.

CONSTRUCTION — Indoor remote heads are injection-molded, engineering-grade, 5VA flame retardant, high-impact resistant, thermoplastic, ivory white or black finish.

Weather-proof (WP) are engineering grade, high-impact resistant thermoplastic, sealed and gasketed, gray or black finish. For use in damp and wet location areas.

Compatible with EU2L REM, ECC REM, EU2C HO, ELM2L LTP, ECR/ECG HO, ECRM HO, ECBRM and EXRM.

Fully adjustable lamp heads.

Suitable for wall or ceiling mount. Mounts to a single-gang switch box.

OPTICS — The typical life of the LED is 10 years.

Round remotes (ERE RD) have one, 0.75W white LED per lamp head. To be powered from low-voltage power sources (3.6V only).

Weather-proof (ERE SGL SQ and ERE SGL WP SQ) have eight, 1W total, white LEDs per lamp head.

Weather-proof (ERE T SQ and ERE T WP SQ) have eight, 2W total, white LEDs per lamp head.

ERE SQ (single and twin) for use with 3.6V, 6V, 9.6V & 12V sensing power source.

INSTALLATION — Suitable for wall or ceiling mount. Mounts to a single-gang switch box.

LISTINGS — cULus Listed with approved Lithonia Lighting products.

Meets UL924, NFPA 101 (current Life Safety Code), NEC, OSHA, Local and State Codes.

Indoor damp location listed (ERE) 50°F to 104°F (10°C to 40°C).

Wet location listed (ERE WP) -22°F to 122°F (-30°C to 50°C).

Available for sale in CA.

WARRANTY — 2-year limited warranty. This is the only warranty provided and no other statements in this specification sheet create any warranty of any kind. All other express and implied warranties are disclaimed. Complete warranty terms located at:

www.acuitybrands.com/support/warranty/terms-and-conditions

NOTE: Actual performance may differ as a result of end-user environment and application.

All values are design or typical values, measured under laboratory conditions at 25 °C.

Specifications subject to change without notice.

Remote Lamps

ERE



ERE WT RD



ERE W SGL RD



ERE GY SGL WP RD



ERE GY T WP RD



ERE W SGL SQ



ERE WT SQ



ERE GY SGL WP SQ

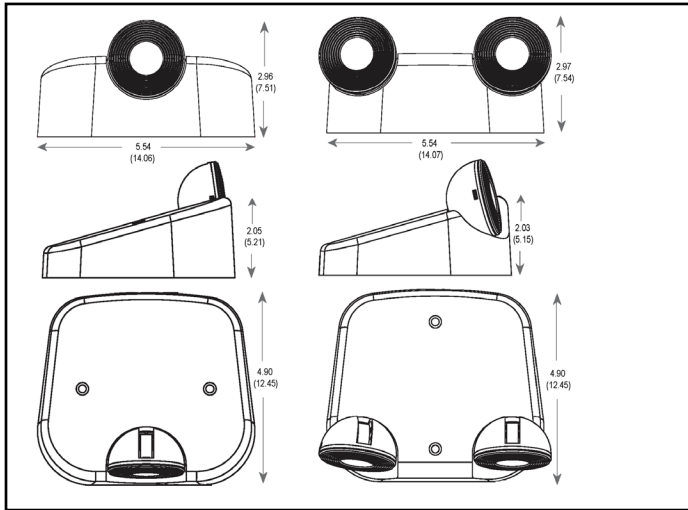


ERE GY T WP SQ



MOUNTING AND SPECIFICATIONS

All dimensions are inches (centimeters) unless otherwise indicated.



Specifications

Indoor Single Remote Round (ERE SGL RD)

Length: 5.54 (14.06)

Depth: 2.05 (5.21)

Height: 4.90 (12.45)

Weight: .55 lbs (.25 kgs)

Specifications

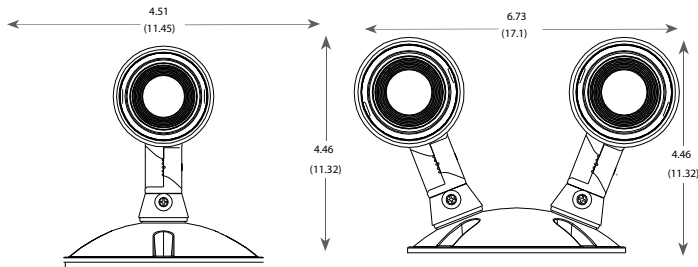
Indoor Twin Remote Round (ERE SGL RD)

Length: 5.54 (14.06)

Depth: 2.03 (5.15)

Height: 4.90 (12.45)

Weight: .60 lbs (.27 kgs)



Specifications

Weather Proof Single Remote Round (ERE SGL WP RD)

Length: 4.51 (11.45)

Depth: 1.74 (4.42)

Height: 4.46 (11.32)

Weight: .075 lbs (0.34 kgs)

Specifications

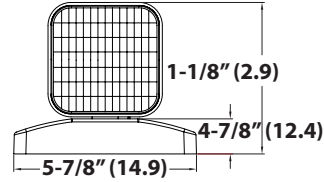
Weather Proof Twin Remote Round (ERE T WP RD)

Length: 6.73 (17.1)

Depth: 1.74 (4.42)

Height: 4.46 (11.32)

Weight: 1.0 lbs (0.45 kgs)

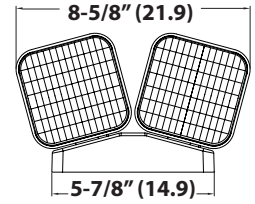


Specifications

Indoor Single Remote Square (ERE SGL SQ)

Width: 5.875 (14.9)

Width (head): 8.625 (21.9)



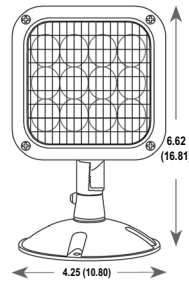
Specifications

Indoor Single Remote Twin (ERE T SQ)

Width: 5.875 (14.9)

Height (head): 1.125 (2.9)

Height: 4.875 (12.4)



Specifications

Weather proof Single Remote Square (ERE SGL WP SQ)

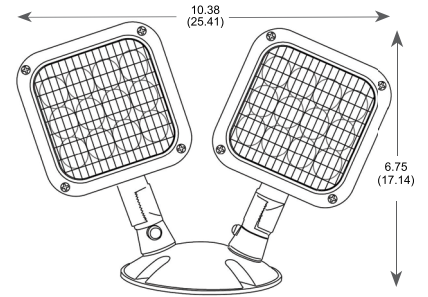
Length: 4.25 (10.80)

Depth (head): 2.25 (5.71)

Depth (base): .87 (2.20)

Height: 6.62 (16.81)

Weight: .65 lbs (.29 kgs)



Specifications

Weather proof Twin Remote Square (ERE T WP SQ)

Length: 10.38 (26.37)

Depth (head): 2.25 (5.71)

Depth (base): .87 (2.20)

Height: 6.8 (17.27)

Weight: 1.3 lbs (.54 kgs)

ERE Remote Lamps

ORDERING INFORMATION

Example: ERE GY T WP SQ

Series	Housing Color	Number of Lampheads	Lamp Head Type	Options
ERE LED Remote lamp	W Ivory white ¹ GY Gray ² B Black	SGL Single T Twin	SQ Square RD Round	(Blank) Not Required WP Weather Proof

Notes

- 1 Ivory white housing color not available with WP SQ option.
- 2 Gray only available with WP option.

COMPATIBLE PRODUCT*

TYPE	ERE SGL RD	ERE T RD	ERE SGL WP RD	ERE T WP RD	ERE SGL SQ	ERE T SQ	ERE SGL WP SQ	ERE T WP SQ
EU2L REM	2	1	2	1	1	0	1	0
EU2C HO	2	1	2	1	2	1	2	1
ELM2L LTP	0	0	0	0	2	1	2	1
ECC R REM ECC G REM	2	1	2	1	2	1	2	1
ECR LED HO ECG LED HO	4	2	4	2	3	1	3	1

*This is in addition to the lamp heads on the product.