



FL2-LED31

LED Flood Light

SPECIFICATIONS*

Watts	30.39
Lumens	3929
Efficacy	129.29
Replaces Up To	500 W Quartz
Colour Temp**	4000K*, 5000K*
Certification	cULus, IP65, DLC
Operating Temp	-40°C to +40°C
Voltage	120-277*
LED Life	100,000 hours
Housing Material	Die Cast Aluminum
Lens Material	Polycarbonate
Lens Type	Clear
Total Harmonic Distortion	17.33
Power Factor	0.928

*Standard



Yoke Mount



DESCRIPTION

The FL2-LED31 is an energy efficient LED flood that replaces a 500W Quartz fixture.

APPLICATIONS



Building
Facades



Patios & Yards



Landscape
Lighting



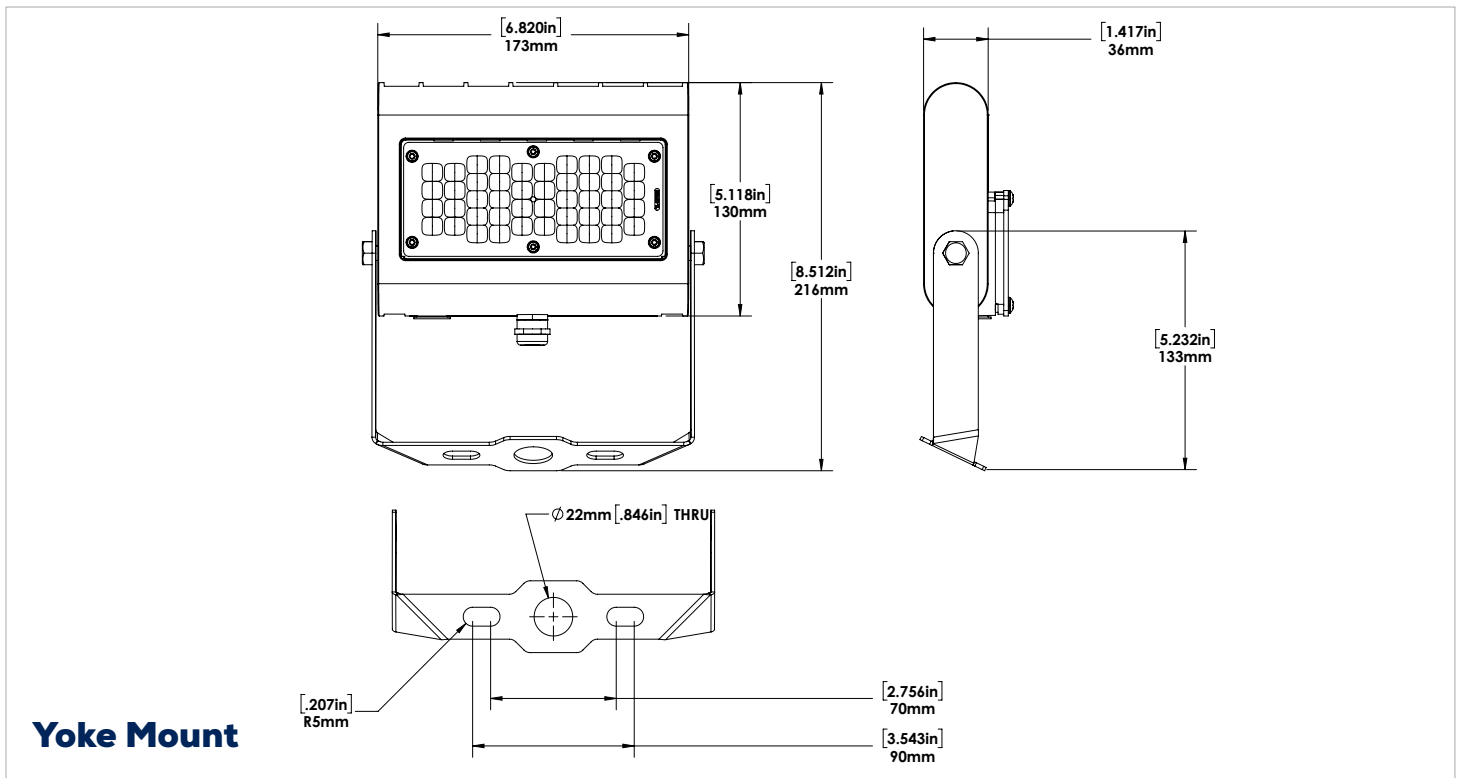
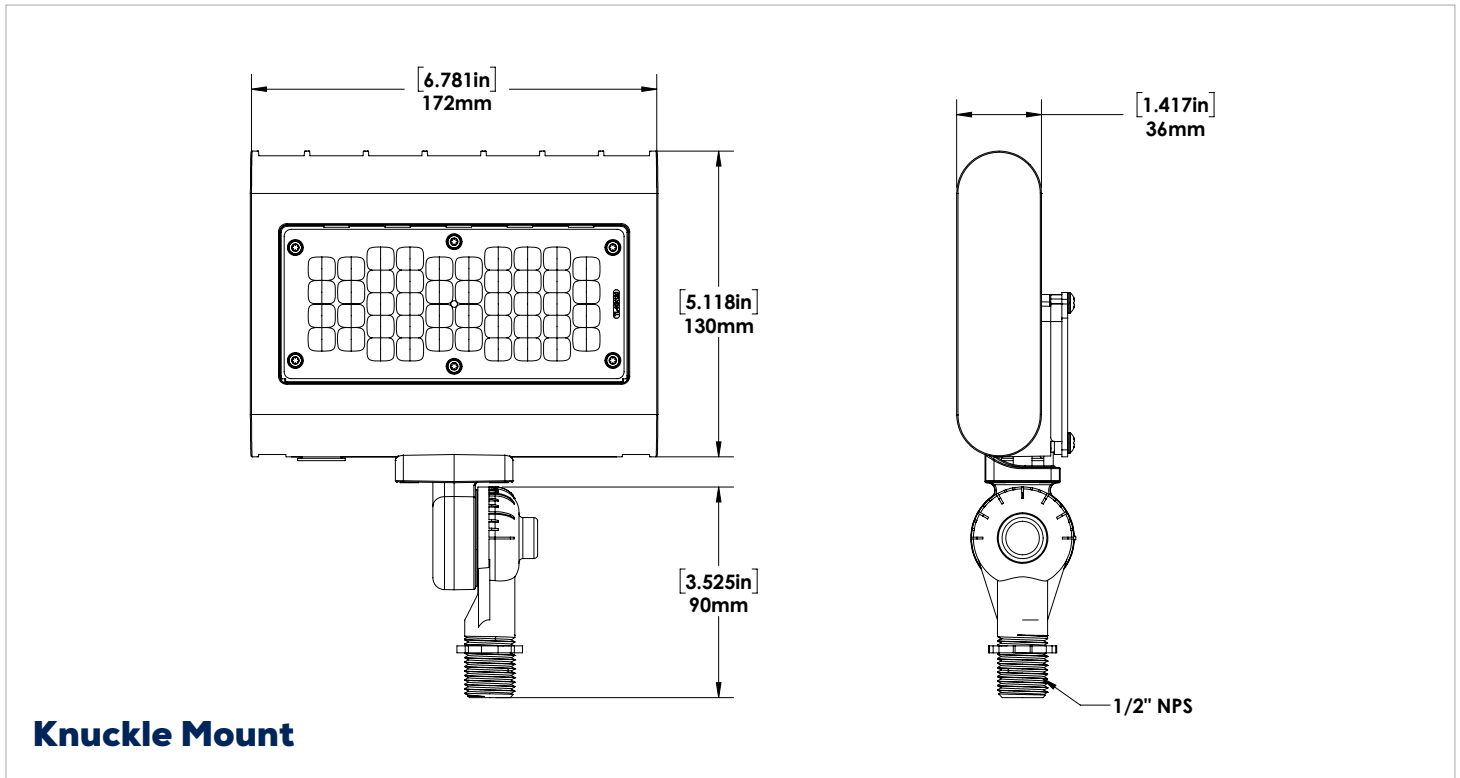
Sign Lighting

FEATURES

- Die cast aluminum housing with polycarbonate lens.
- Wide 7H X 7V beam is standard.
- Available as a knuckle or yoke mount. Also used as a sign light when combined with various arms.
- Available in 4K or 5K colour temperature.
- Ideal replacement for 500W Quartz floods.

*The above specs apply to the standard product configuration. For spec information on other product configurations please see page 2.

DIMENSIONS



SIGN LIGHT DIMENSIONS

