



FL1-LED16

LED Flood Light



Yoke Mount

SPECIFICATIONS*

Watts	14.26
Lumens	1728
Efficacy	121
Replaces Up To	150 W Quartz
Colour Temp**	4000K*, 5000K*
Certification	cULus, IP65, DLC
Operating Temp	-40°C to +40°C
Voltage	120-277*
LED Life	100,000 hours
Housing Material	Die Cast Aluminum
Lens Material	Polycarbonate
Lens Type	Clear
Total Harmonic Distortion	15
Power Factor	0.9

*Standard



DESCRIPTION

The FL1-LED16 is an energy efficient LED fixture suitable for floodlighting or sign lighting.

APPLICATIONS



Building
Facades

Patios & Yards

Landscape
Lighting

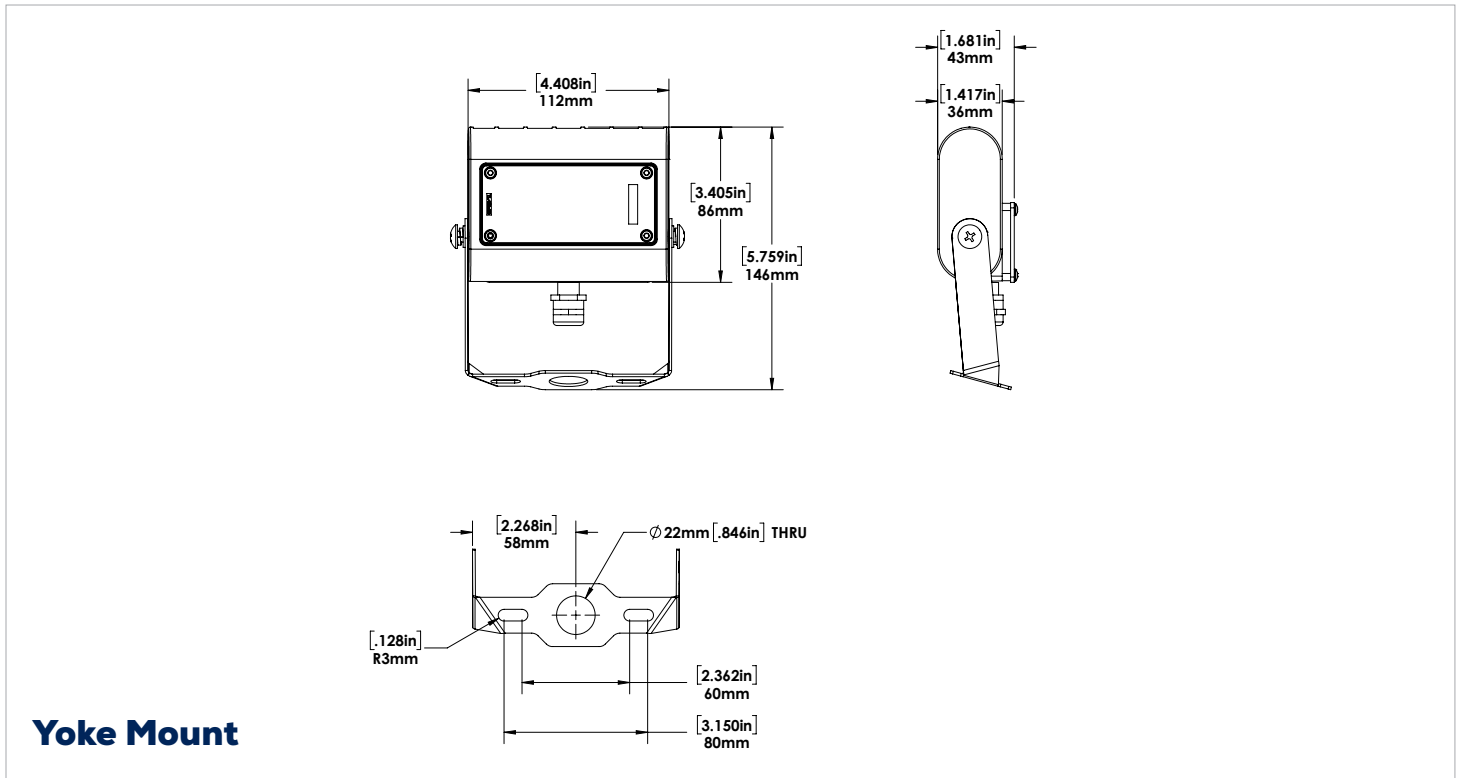
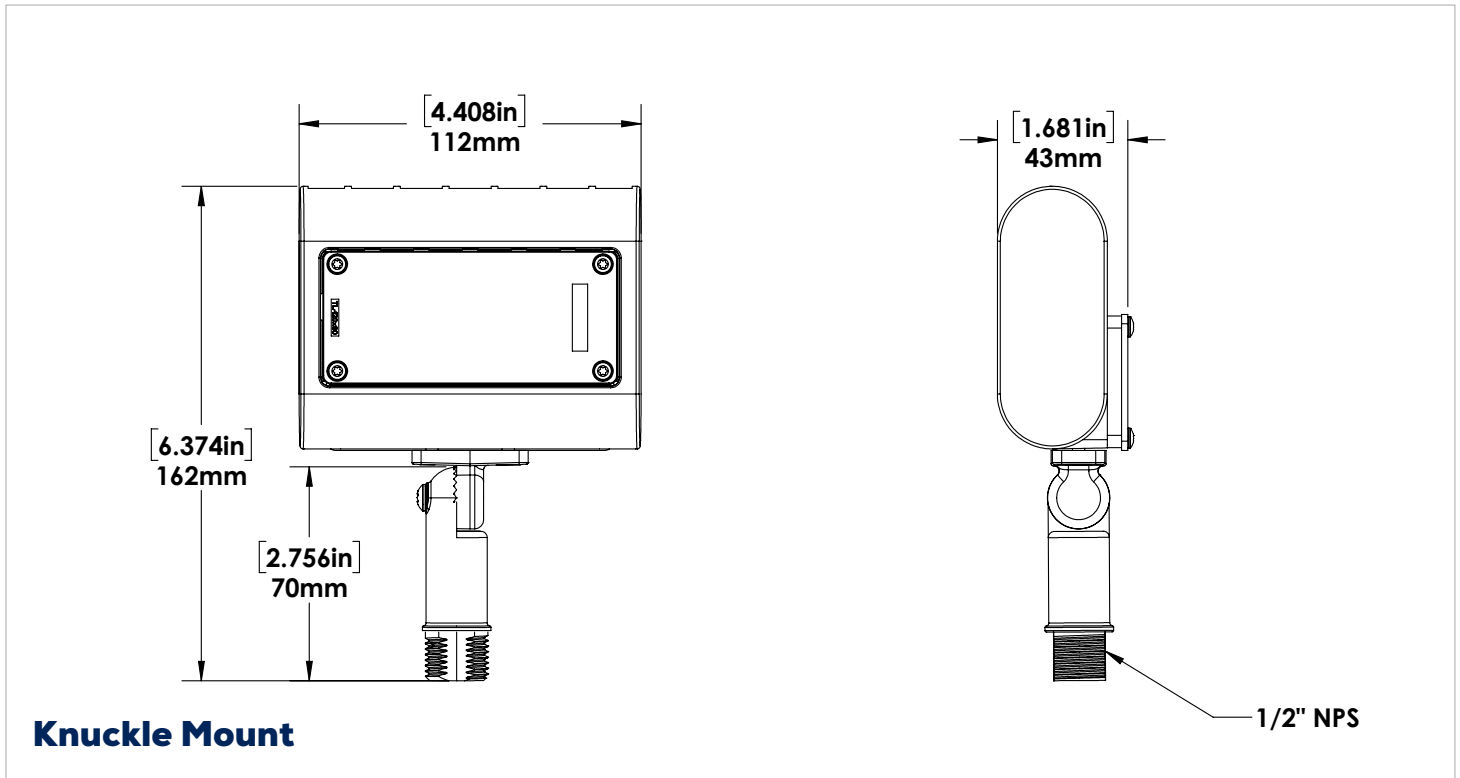
Sign Lighting

FEATURES

- Die cast aluminum housing with polycarbonate lens.
- Wide 7H X 7V beam is standard.
- Available as a knuckle or yoke mount. Also used as a sign light when combined with various arms.
- Available in 4K or 5K colour temperature.
- Ideal replacement for 150W Quartz floods.

*The above specs apply to the standard product configuration. For spec information on other product configurations please see page 2.

DIMENSIONS



SIGN LIGHT DIMENSIONS

