

LED Slim Lights

MODEL SLIM6-3CCT



HIGHLIGHTS

6" Round LED Slim Downlight

- Edge-lit technology, no glare or dark spots, instant-on
- No existing recessed housing or junction box required
- Dimming: TRIAC down to 10%
- I.C. rated for direct contact with insulation
- Suitable for DAMP LOCATION
- Rated for a long life - over 50,000 hours
- 3-color field selectable CCT - 3000K, 4000K, 5000K



DECORATIVE TRIM RINGS



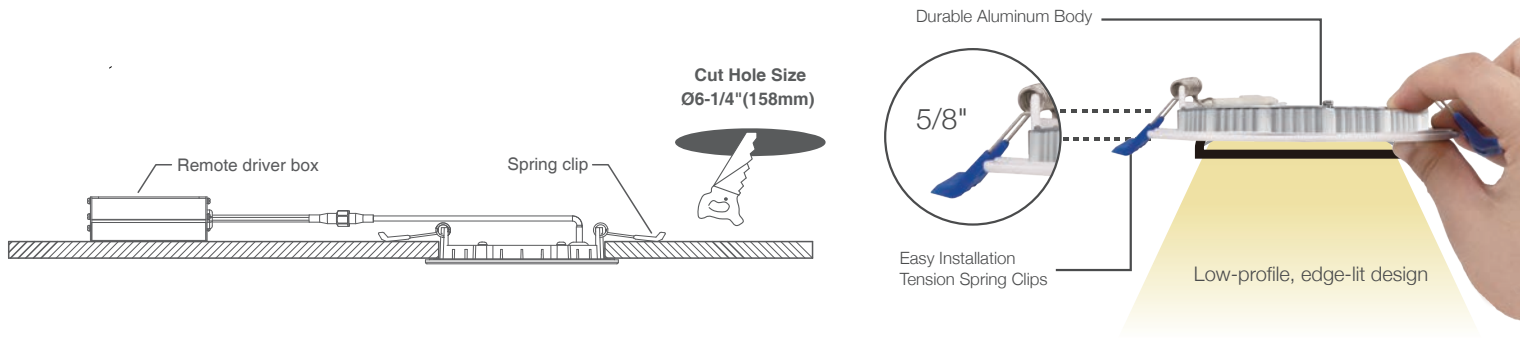
SPECIFICATIONS

Model	SLIM6-3CCT
Wattage	15W
Default Driver Input	AC120V, 60HZ
Light Output(lm)	1100lm
Color Temperature	3000K, 4000K, 5000K
CRI	80Ra
Dimming	Triac Dimming
Power Factor	>0.9
Approved Location	Damp Location
Air Tight	Yes
Operating Temperature	(-4°F~104°F) -20~40°C
Beam Angle	120°

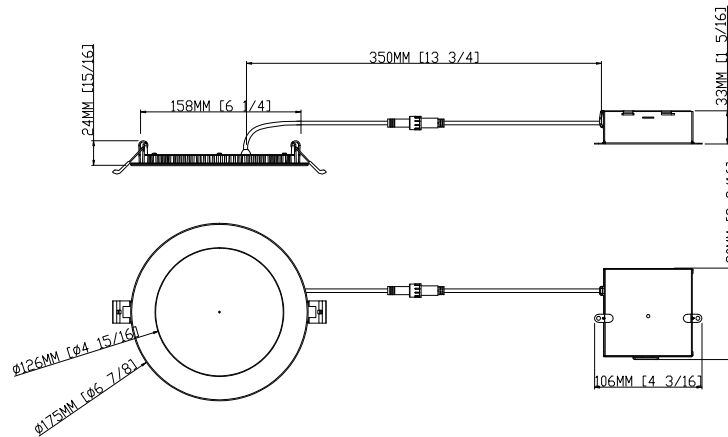
PACKAGE

Weight.(g)	366g
Qty/CTN (pcs)	18pcs/CTN
Box Dimension	555*375*190mm
Gross Weight	8.78kg/CTN

MOUNTING



DIMENSIONS



ACCESSORIES (SOLD SEPARATELY)

Mounting Plates

PLATE26-6



6" New Construction Plate made up of galvanized steel for recessed lighting



PLATE6-HB

Galvanized steel Mounting Plate with hanger bars for ORTECH 6" LED lights

Flexible Connector

CORD-24/60/120/240



Flexible Connector 2FT/5FT/10FT/20FT

Reference	QTY.	Remarks	Project:
			Location:
			Architect:
			Engineer:
			Contractor:
			Submitted by:
			Date:

ORTECH reserves the right to modify at any time, without notice, any or all of our product's features, designs, components and specifications to meet market changes.