

P-4024

4 1/4" Pre-mounting Plate, 24"
Recessed Downlighting

Job Information		
Project Name		Type
Location		
Quantity		Date
Contact/Phone		
Notes		

Features

General

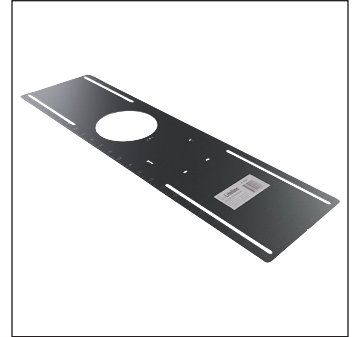
Constructed of galvanized steel, this 4 1/4" round opening pre-mounting plate is used to mount 4" SLIMLED, LUNA and SKYE fixtures.

Mounting

The plate includes mounting holes and tracks to satisfy any type of installation. Alignment notches on plate to help aligning multiple plates. Plate also includes a pressure clip to secure driver to plate. 24" long for mounting in oversized joist spacing applications.

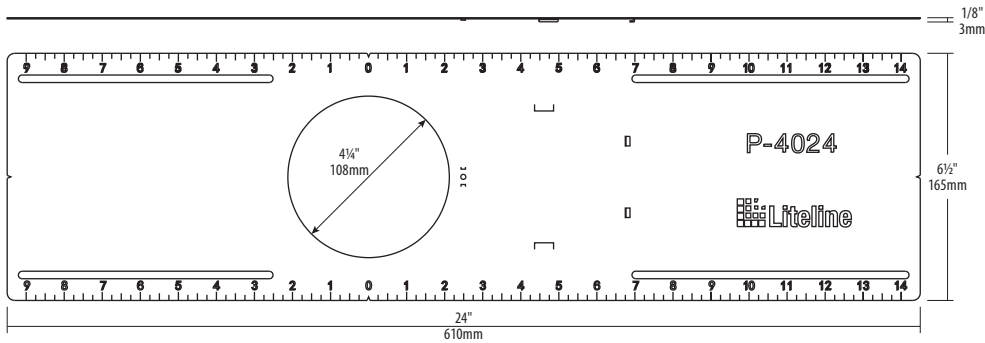
Compatible Fixtures

- SLM4 series
- SLM4F series
- SLMPRO4 series
- RA4 Series
- SLMB4 series



Description

This pre-mounting plate for use with 4" SLIMLED, LUNA and SKYE fixtures. It features mounting clips to secure driver in place and provide easy access for driver maintenance.



Notes: Due to our continued efforts to improve our products, product specifications are subject to change without notice.

Ordering Guide



P-4024

4 1/4" Pre-mounting plate for 4" SLIMLED, LUNA and SKYE fixtures, 24" long.

Compatible Fixtures



SLM4 / SLM4F / SLMPRO4 Series



RA4 Series



SLMB4 Series