



# P-3524

3-5/8" Pre-mounting Plate, 24"  
Recessed Downlighting

Job Information		
Project Name		Type
Location		
Quantity		Date
Contact/Phone		
Notes		

## Features

### General

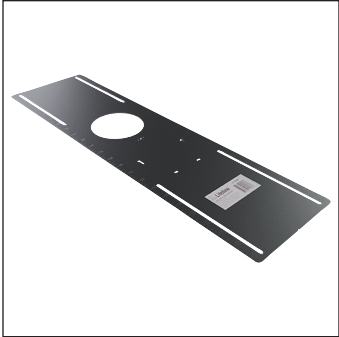
Constructed of galvanized steel, this round opening pre-mounting plate is used to mount 3½" LUNA fixtures.

### Mounting

The plate includes mounting holes and tracks to satisfy any type of installation. Alignment notches on plate to help aligning multiple plates. Plate also includes a pressure clip to secure driver to plate. 24" long for mounting in oversized joist spacing applications.

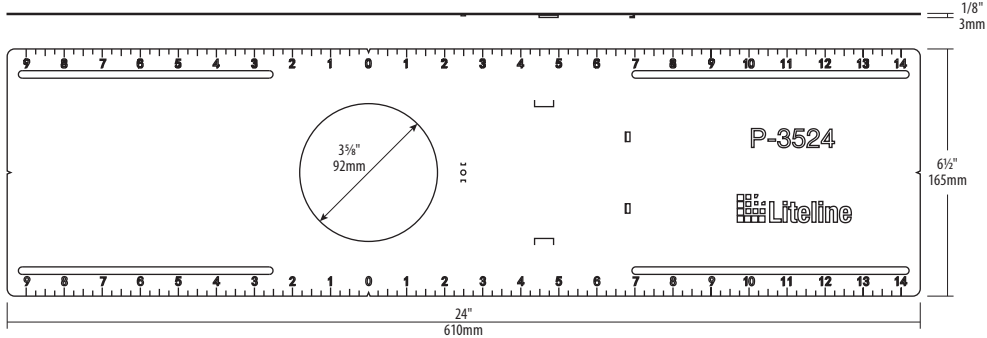
### Compatible Fixtures

- RA35 series



## Description

This pre-mounting plate for use with 3½" LUNA fixtures. It features mounting clips to secure driver in place and provide easy access for driver maintenance.



**Notes:** Due to our continued efforts to improve our products, product specifications are subject to change without notice.

## Ordering Guide



### P-3524

3½" Pre-mounting plate for 3½" LUNA fixtures, 24" long.

## Compatible Fixtures



RA35 Series