



Electronic remote reset 24...30 V AC/DC for 3RU Size S00...S3

General technical data

product brand name		SIRIUS
product designation		Electrical RESET
design of the product		Electrical Remote RESET
size of overload relay		S00, S0, S2, S3
ambient temperature		
• during storage	°C	-50 ... +80
• during operation	°C	-20 ... +70

Control circuit/ Control

type of voltage of the control supply voltage		AC/DC
control supply voltage frequency		
• 1 rated value	Hz	50
• 2 rated value	Hz	60
control supply voltage 1		
• at DC		
— initial rated value	V	24
— final rated value	V	30
• at AC		
— at 50 Hz initial rated value	V	24
— at 50 Hz final rated value	V	30
— at 60 Hz final rated value	V	30
— at 60 Hz initial rated value	V	24

Connections/ Terminals

type of electrical connection for auxiliary and control circuit		screw-type terminals
type of connectable conductor cross-sections for auxiliary contacts		
• solid		2x (0.5 ... 1.5 mm ²), 2x (0.75 ... 2.5 mm ²)
• finely stranded		
— with core end processing		2x (0.5 ... 1.5 mm ²), 2x (0.75 ... 2.5 mm ²)

Certificates/ approvals

General Product Approval	Declaration of Conformity
--------------------------	---------------------------



[Confirmation](#)



Test Certificates	Marine / Shipping
-------------------	-------------------

[Type Test Certificates/Test Report](#)

[Special Test Certificate](#)



other

Railway

[Confirmation](#)

[Special Test Certificate](#)

Further information

Information- and Downloadcenter (Catalogs, Brochures,...)

<https://www.siemens.com/ic10>

Industry Mall (Online ordering system)

<https://mall.industry.siemens.com/mall/en/en/Catalog/product?mlfb=3RU1900-2AB71>

Cax online generator

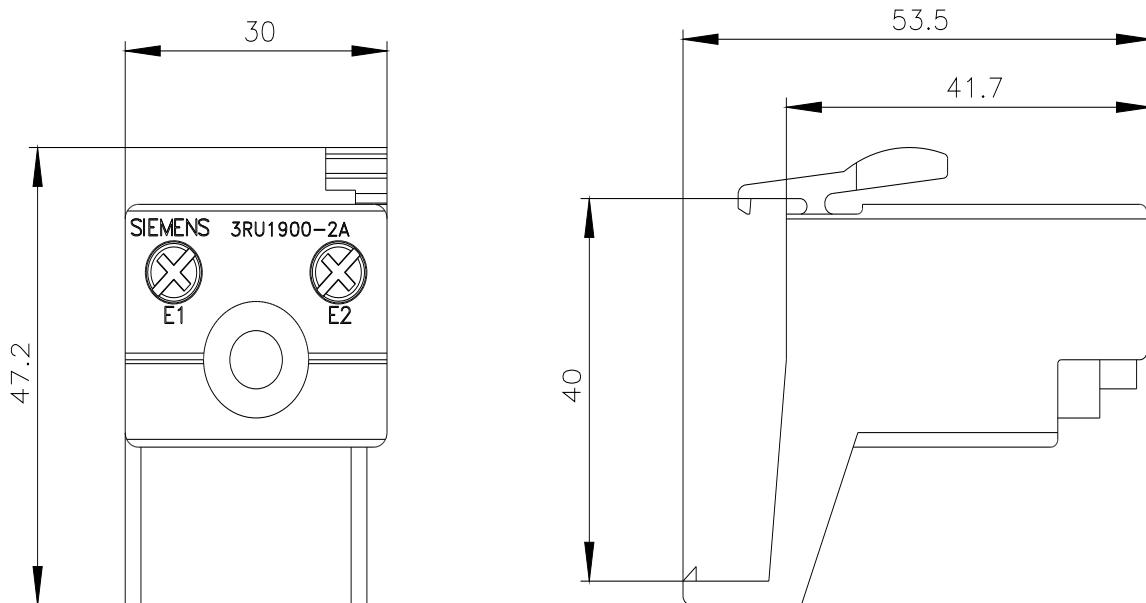
<http://support.automation.siemens.com/WW/CAXorder/default.aspx?lang=en&mlfb=3RU1900-2AB71>

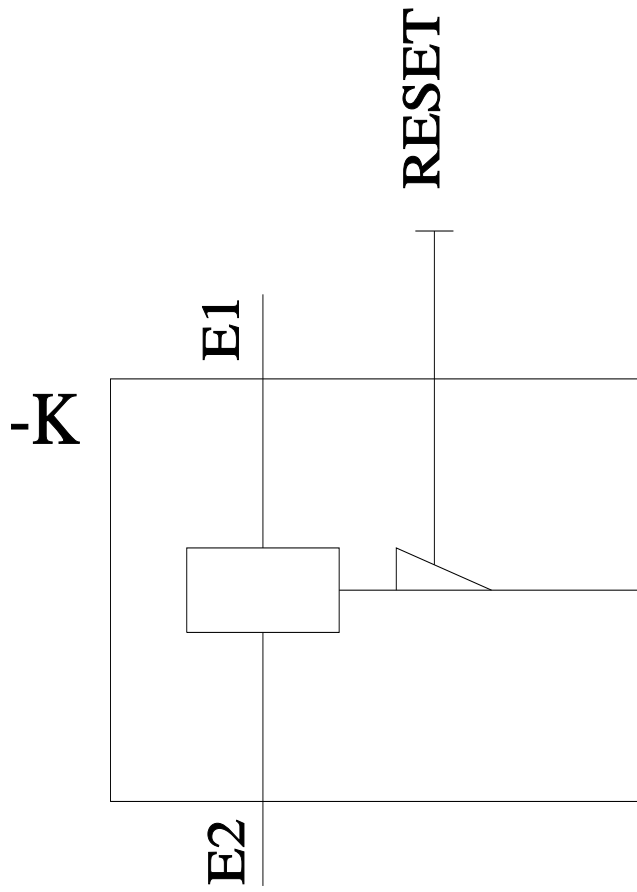
Service&Support (Manuals, Certificates, Characteristics, FAQs,...)

<https://support.industry.siemens.com/cs/ww/en/ps/3RU1900-2AB71>

Image database (product images, 2D dimension drawings, 3D models, device circuit diagrams, EPLAN macros, ...)

http://www.automation.siemens.com/bilddb/cax_de.aspx?mlfb=3RU1900-2AB71&lang=en





last modified:

12/23/2020 