

Separate actuator for 3SE2243 and 3SE2257 Standard actuator

product category	Spare part
product designation	Separate actuator for 3SE2243 and 3SE2257, standard
Substance Prohibitance (Date)	07/01/2006

Certificates/ approvals

General Product Approval	Declaration of Conformity	other
--------------------------	---------------------------	-------

[Confirmation](#)



[Confirmation](#)

Further information

Information- and Downloadcenter (Catalogs, Brochures,...)

<https://www.siemens.com/ic10>

Industry Mall (Online ordering system)

<https://mall.industry.siemens.com/mall/en/en/Catalog/product?mlfb=3SX3218>

Cax online generator

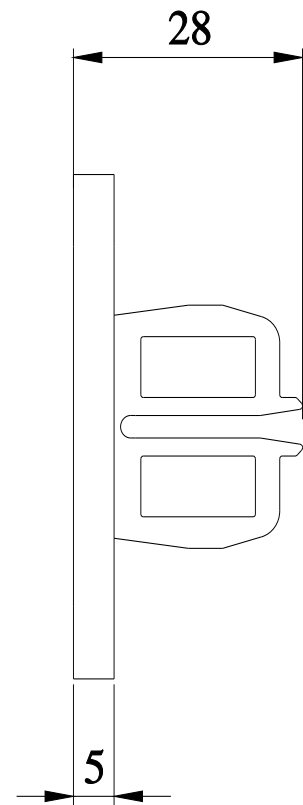
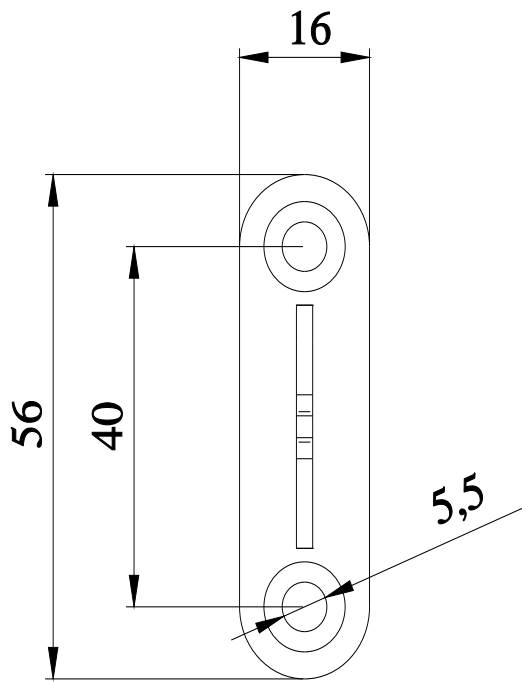
<http://support.automation.siemens.com/WW/CAXorder/default.aspx?lang=en&mlfb=3SX3218>

Service&Support (Manuals, Certificates, Characteristics, FAQs,...)

<https://support.industry.siemens.com/cs/ww/en/ps/3SX3218>

Image database (product images, 2D dimension drawings, 3D models, device circuit diagrams, EPLAN macros, ...)

[http://www.automation.siemens.com/bilddb/cax\\_de.aspx?mlfb=3SX3218&lang=en](http://www.automation.siemens.com/bilddb/cax_de.aspx?mlfb=3SX3218&lang=en)



last modified:

6/25/2022 