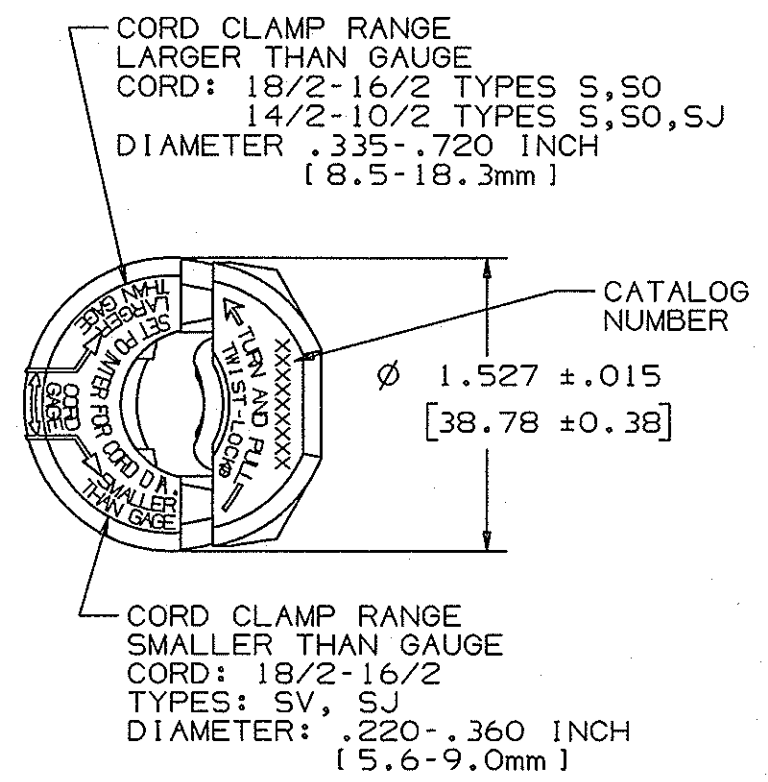
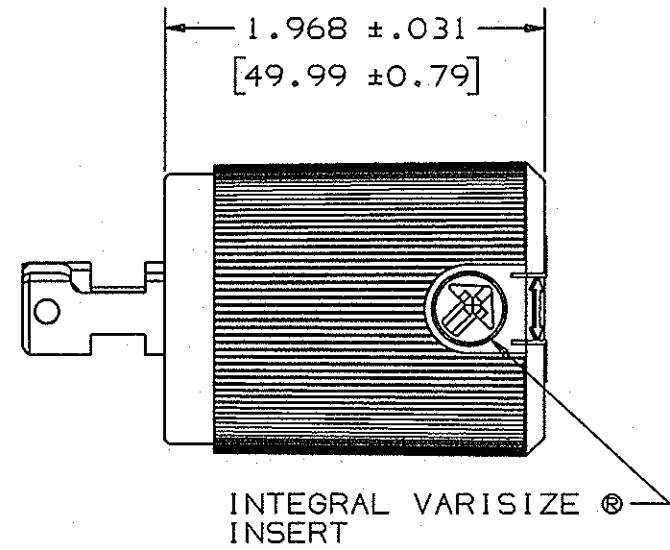
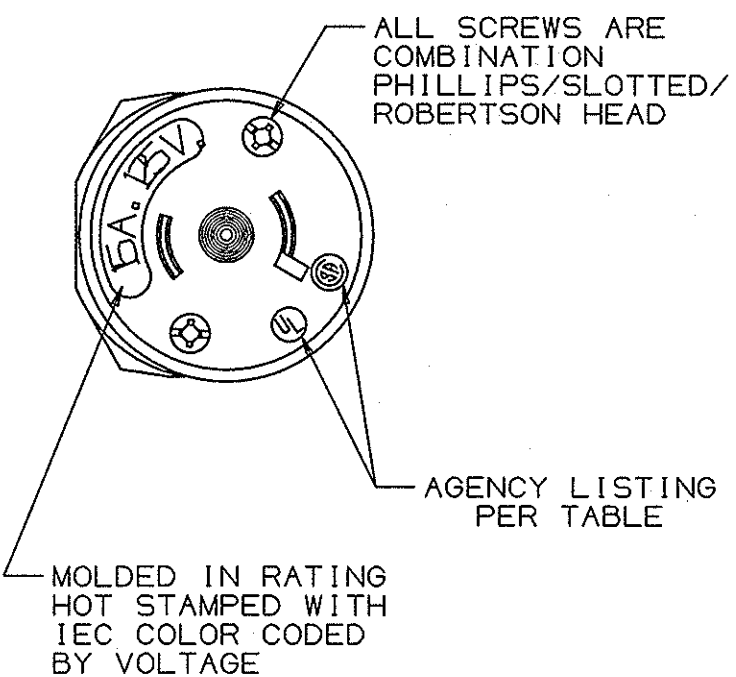


M-7285 4



CANADIAN CAT. NO. (BLACK COVER & INSERT)	CAT. NO. (BLACK COVER & INSERT)	CONFIGURATION	RATING	IEC RATING COLOR	U.L.	C.S.A.
	HBL7545C	NEMA L1-15P	15A. 125V.	YELLOW	YES	YES
HBL7102CCN	HBL7102C	NEMA L2-20P	20A. 250V.	BLUE	YES	YES

DESCRIPTION	MATERIAL	FINISH
BLADE HOLDER	NYLON	NATURAL
RETAINER SHELL	POLYCARBONATE	CLEAR
COVER	NYLON	
INSERT	NYLON	
CORD CLAMP	NYLON	NATURAL
WIRE CLAMP	.062 CRS	NICKEL PL
CONTACT BLADES	.060 BRASS	*
BINDING SCREWS	BRASS	*
CORD CLAMP TRI-DRIVE SCREWS	STEEL	ZINC PL
TRI-DRIVE ASSY SCREWS	STEEL	ZINC PL

* WHITE FINISH ON NEUTRAL PARTS

NO.	REVISIONS	APP	DATE
4	REVISED TEXT HEIGHT FOR XXX AND TURN AND PULL TO .07. REVISED TEXT HEIGHT FOR TWIST LOCK TO .06. PICTORIAL UPDATE ONLY. PER DCN 17514 SPN	DJP	3/31/11
3	REVISED VIEWS & CALLOUTS OF SCREWS TO TRI-DRIVE; INACTIVATED "CANADIAN CAT. NO." COLUMN; "TRI-DRIVE" WAS "COMBO." "TRI-DRIVE" WAS "COMBINATION" IN "LIST OF PARTS" PER DCN #11421 RCM	DVB	1/27/04
2	IN LIST OF PARTS, "POLYCARBONATE WAS "LEXAN"; PER DCN #8996. JMN	CJC	2/18/02
1	"X" REMOVED PER DCN #3255 JMN	ZIMM	2/9/95

THE DESIGN AND DIMENSIONS OF THE PRODUCT SHOWN ON THIS DRAWING ARE SUBJECT TO CHANGE WITHOUT NOTICE

TITLE INSULGRIP® 2 POLE 2 WIRE NON-GROUNDING TWIST-LOCK® PLUGS

TOLERANCES UNLESS OTHERWISE SPECIFIED	WIRING DEVICE-KELLEMS HUBBELL INCORPORATED BRIDGEPORT, CT	
FRACTIONS ±1/64	DR. BY JMN	APP. BY ZIMM
DECIMALS ±.005	TR. BY	SCALE //
ANGLES ±2°	CHK'D BY ZIMM	DATE 2/9/95

MILLIMETER / INCH
TOLERANCE UNLESS OTHERWISE SPECIFIED
MM. DIM = ±0.3 MM
INCH DIM = ±.012 INCH
ANGULAR DIM = ±30'

DIMENSION SHEET FOR CAT. NO. M-7285
 SEE TABLE
 REPAIRABLE NON-REPAIRABLE
 B
 M-7285
 4