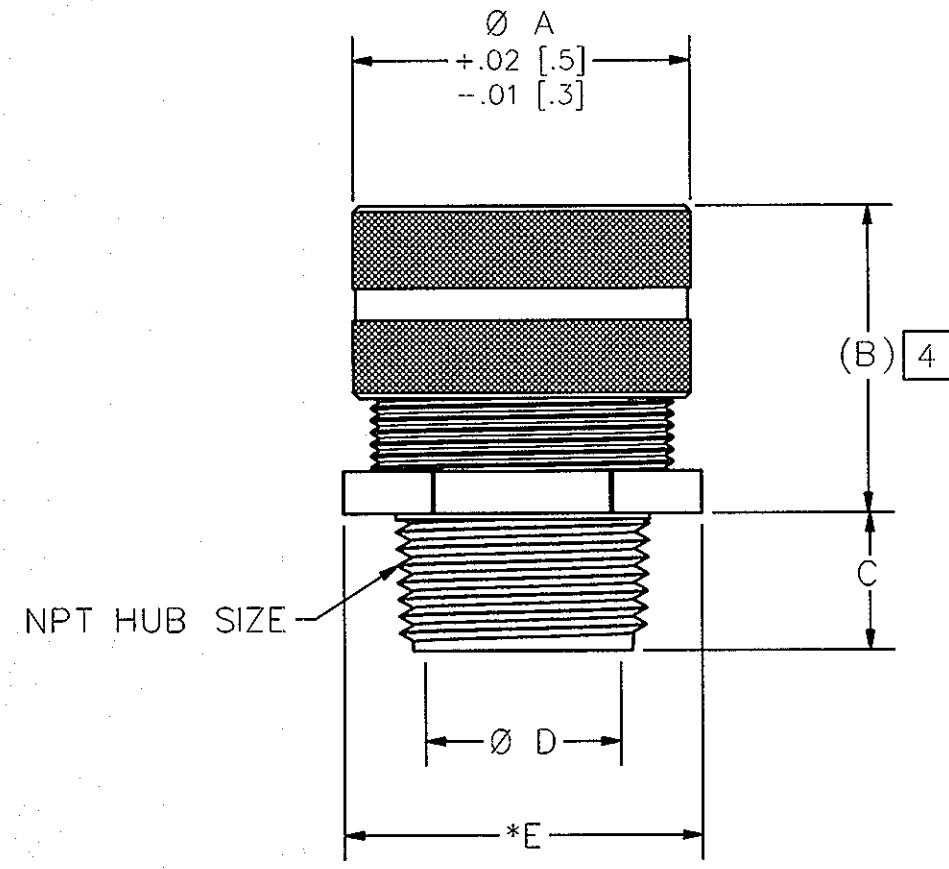


M-12916

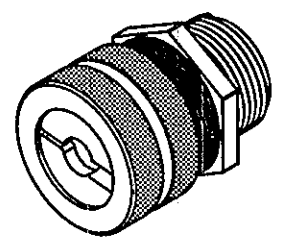
1

CATALOG NUMBER	BODY COLOR	GOTCHA RING COLOR CODE	NPT HUB SIZE	CORD DIA. RANGE	∅ A (OVERALL)	(B) 4	C	∅ D (THROAT DIA.)	*E ACROSS CORNERS	*E ACROSS FLATS
SHC1039	ALUMINUM	BLUE	1"	.38-.50 [9.7-12.7]	1.75 [44.4]	1.60 [40.6]	.71 [18.0]	1.02 [25.9]	1.81 [46.0]	1.62 [41.1]
SHC1040	ALUMINUM	BROWN	1"	.50-.63 [12.7-15.9]	1.75 [44.4]	1.60 [40.6]	.71 [18.0]	1.02 [25.9]	1.81 [46.0]	1.62 [41.1]
SHC1041	ALUMINUM	YELLOW	1"	.63-.75 [15.9-19.0]	1.75 [44.4]	1.60 [40.6]	.71 [18.0]	1.02 [25.9]	1.81 [46.0]	1.62 [41.1]
SHC1042	ALUMINUM	ORCHID	1"	.75-.88 [19.0-22.2]	1.75 [44.4]	1.60 [40.6]	.71 [18.0]	1.02 [25.9]	1.81 [46.0]	1.62 [41.1]
SHC1043	ALUMINUM	GRAY	1"	.88-1.00 [22.2-25.4]	1.75 [44.4]	1.60 [40.6]	.71 [18.0]	1.02 [25.9]	1.81 [46.0]	1.62 [41.1]
SHC1044	ALUMINUM	PINK	1"	1.00-1.13 [25.4-28.6]	1.75 [44.4]	1.60 [40.6]	.71 [18.0]	1.02 [25.9]	1.81 [46.0]	1.62 [41.1]



- NOTES:
1. DIMENSIONS ARE IN INCHES [MM].
 2. LOCKNUT PURCHASED SEPARATELY.
 3. BUSHING COATED WITH AMBER PETROLEUM JELLY.
 - 4 REFERENCE ONLY, DIMENSION MAY VARY.

LIST OF PARTS		
DESCRIPTION	MATERIAL	FINISH
CORD CONNECTOR BODY STR. MALE	ALUMINUM	
BUSHING	BLACK NEOPRENE	SEE NOTE 3
GOTCHA RING	NYLON	SEE TABLE
NUT	ALUMINUM	



CATALOG NO. SHC1039
(NOT SHOWN TO SCALE)

1	INITIAL RELEASE PER DCN 21189	DDL	05/06/15
REV	DESCRIPTION	APP	DATE

THE DESIGN AND DIMENSIONS OF THE PRODUCT SHOWN ON THIS DRAWING ARE SUBJECT TO CHANGE WITHOUT NOTICE

TITLE
STRAIGHT ALUMINUM CORD CONNECTOR FORM 4

TOLERANCES UNLESS OTHERWISE SPECIFIED		WIRING DEVICE-KELLEMS HUBBELL INCORPORATED SHELTON, CT	
.XX = ± .01	.XXX = ± .005	DR. BY SR	APP. BY
ANGLES = ± 2'		TR. BY	SCALE 1:1
		CHK. BY DDL	DATE 05/06/15

DIMENSION SHEET FOR CAT. NO. SEE TABLE

REPAIRABLE NON-REPAIRABLE

B

M-12916

1