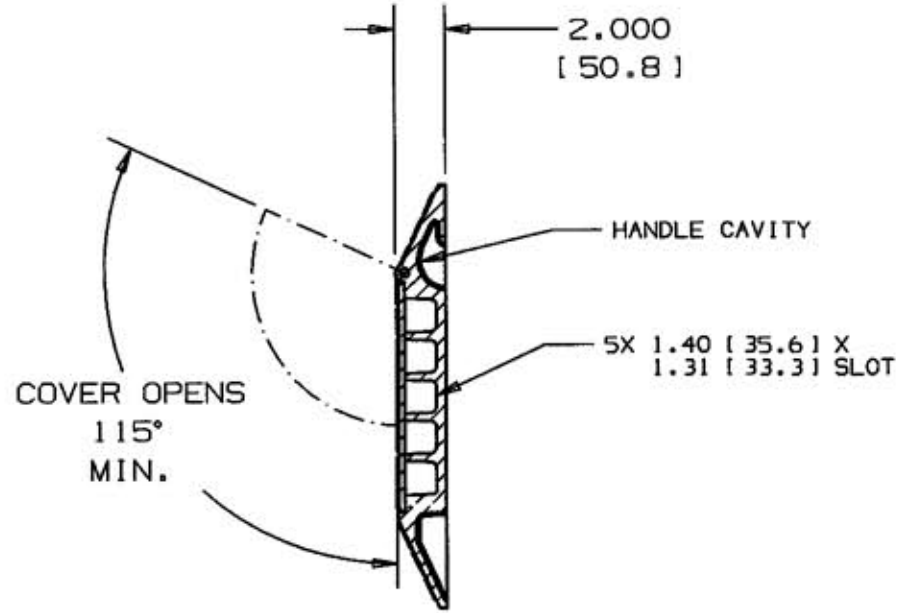
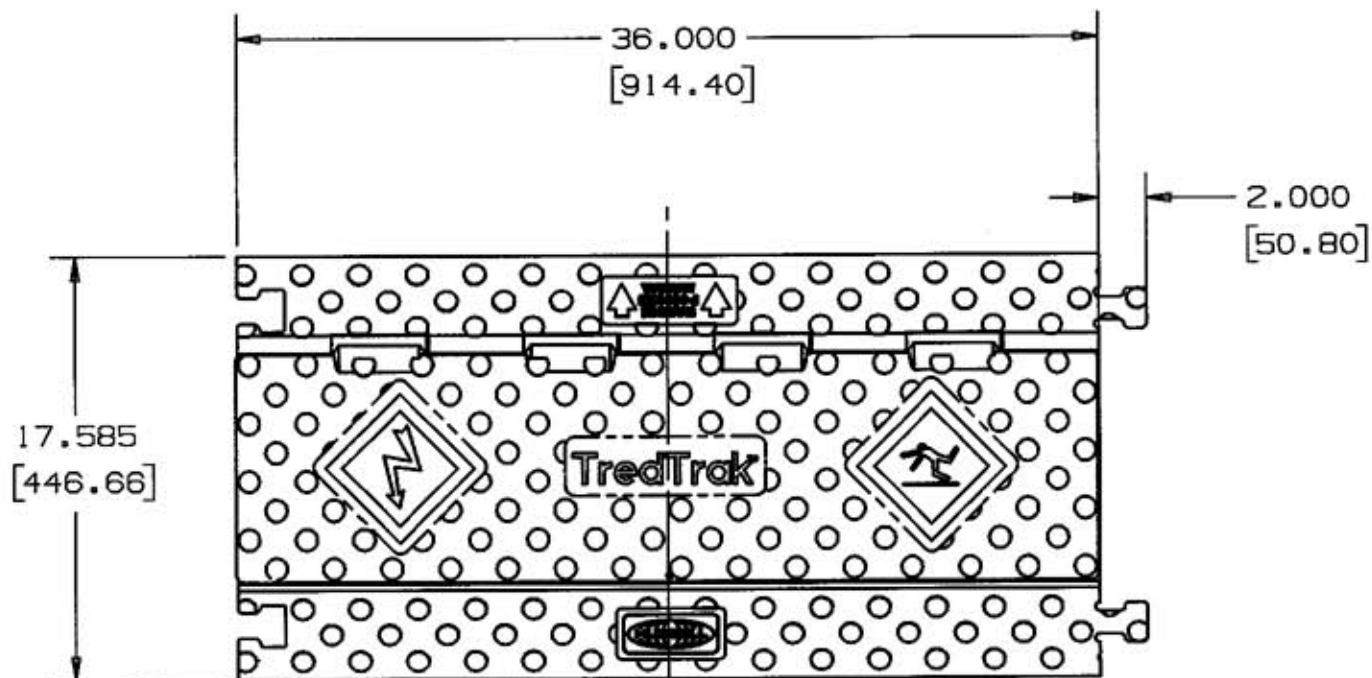
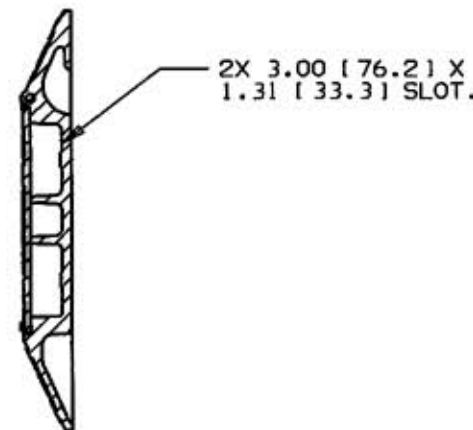
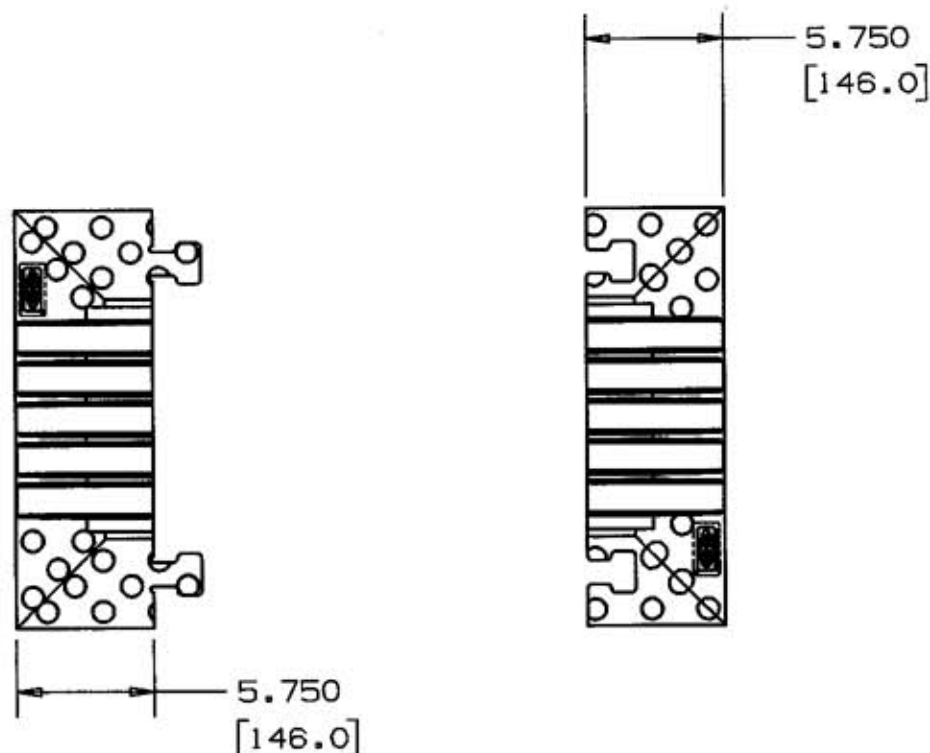


# M-7421 5



TYPICAL CROSS SECTION



HBLTRED5M2

CATALOG NUMBER	DESCRIPTION
HBLTRED5B	36" BASE & COVER
HBLTRED5ECB	ENDCAPS (PAIR)
HBLTRED5M2	36" BASE AND COVER

NOTES: (UNLESS OTHERWISE SPECIFIED)

- 1) DIMENSION FORMAT IS: INCHES [ mm ]
- 2) DIMENSIONS SHOWN ON THIS DRAWING ARE NOMINAL VALUES FOR GENERAL USE ONLY. ACTUAL PART TOLERANCES MUST BE OBTAINED FROM HUBBELL ENGINEERING.

## LIST OF PARTS

DESCRIPTION	MATERIAL	FINISH
PROTECTOR BASE	POLYURETHANE	BLUE
PROTECTOR COVER	POLYURETHANE	YELLOW
PROTECTOR HINGE PIN, BASE	FIBERGLASS	NATURAL
PROTECTOR ENDCAP, L.H.	POLYURETHANE	YELLOW
PROTECTOR ENDCAP, R.H.	POLYURETHANE	YELLOW

NO.	REVISIONS	APP.	DATE
6	9-10-03 ADDED HBLTRED5M2 TO CHART AND ADDED VIEW PER DCN#11185 PAC	WUH	9-10-03
5	2/24/03 CATALOG NUMBER HBLTRED5B WAS HBLTRED5A, HBLTRED5ECB WAS HBLTRED5ECA. REMOVED DIM. Ø.270. LIST OF PARTS REMOVED (3) COVER SCREWS AND (3) BASE INSERTS. REMOVED NOTE "ABRADED SURFACE TYP. ALL PARTS". PER DCN 10384 SPN WUH	WUH	2/28/03
4	8/1/01 ADDED DUAL DIM.'S TO ALL LINEAR DIMENSIONS; ADDED NOTES 1 & 2. ADDED "SEE TABLE" TO "DIMENSION SHEET FOR CAT.NO."; REMOVED ±.062 FROM 17.500, 36.000, & 5.750 (IN 2 PLACES) PER DCN #8674. JMN	TCM	8/1/01
3	7-25-00 DIM'S. 5.750 ±.062 WAS 4.750±.062 PER DCN#7869 PAC WUH		7-25-00
2	5/19/00 FINISH BLUE WAS YELLOW & YELLOW WAS BLACK REPLACED "DIAMOND PATTERN" WITH DISK PATTERN PER REMOVED DIM. (1.500), (.375) DCN# 7573 PAC WUH		5/19/00
1	"X" REMOVED, LAST "X" REVISION WAS X-2; RELEASED FOR PRODUCTION PER DCN #4193. DJG WUH		4-29-96

THE DESIGN AND DIMENSIONS OF THE PRODUCT SHOWN ON THIS DRAWING ARE SUBJECT TO CHANGE WITHOUT NOTICE

TITLE TREDTRAK  
MODULAR CABLE PROTECTION SYSTEM,  
5 CHANNEL

TOLERANCES UNLESS OTHERWISE SPECIFIED  
FRACTIONS ±1/64  
DECIMALS ±.005  
ANGLES ±2°

WIRING DEVICE-KELLEMS  
HUBBELL INCORPORATED  
BRIDGEPORT, CT

DR. BY DJG APP. BY WUH  
TR. BY SCALE 1/8  
CHK'D BY WUH DATE 2-28-96