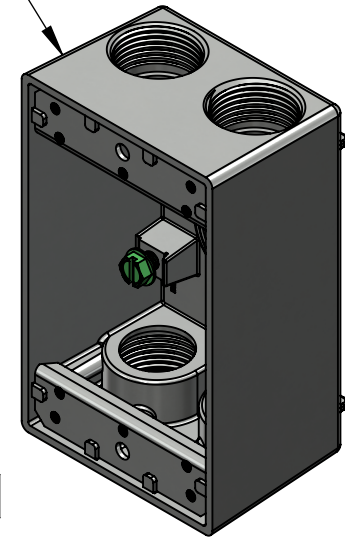


CAT. #	COLOR	BOX VOLUME	Ø D
5322-0	GRAY AKZO NOBEL# JW107N	18.30 IN ³ {299.9 CM ³ }	.62 [15.7]
5331-0	GRAY AKZO NOBEL# JW107N	17.00 IN ³ {278.6 CM ³ }	.84 [21.3]

SINGLE GANG BOX

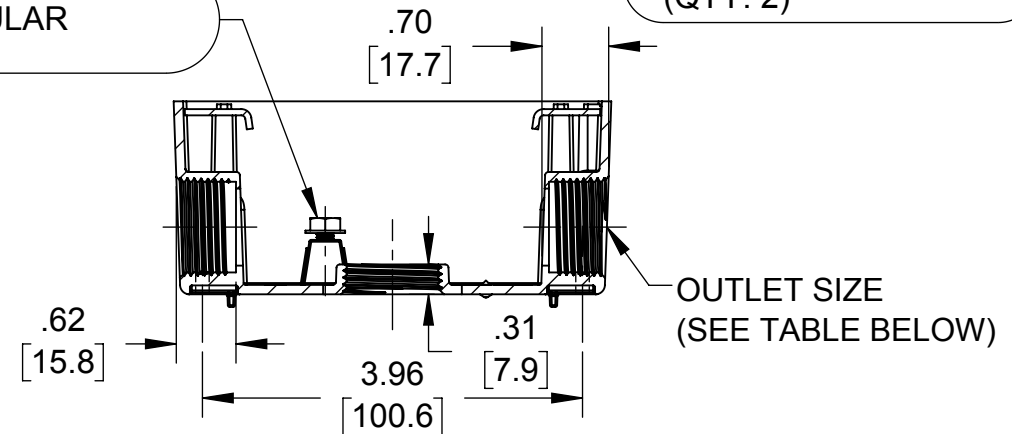


#8 - 32 UNC-2A X 1/4" CROSS RECESSED UNDERCUT FLAT COUNTERSUNK HEAD, SELF TAPPING SCREW-TYPE F (QTY. 2)

CLOSURE PLUG (QTY. 2)

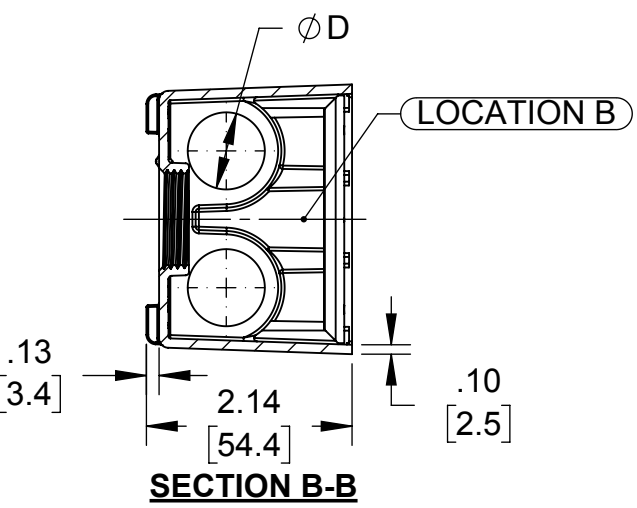
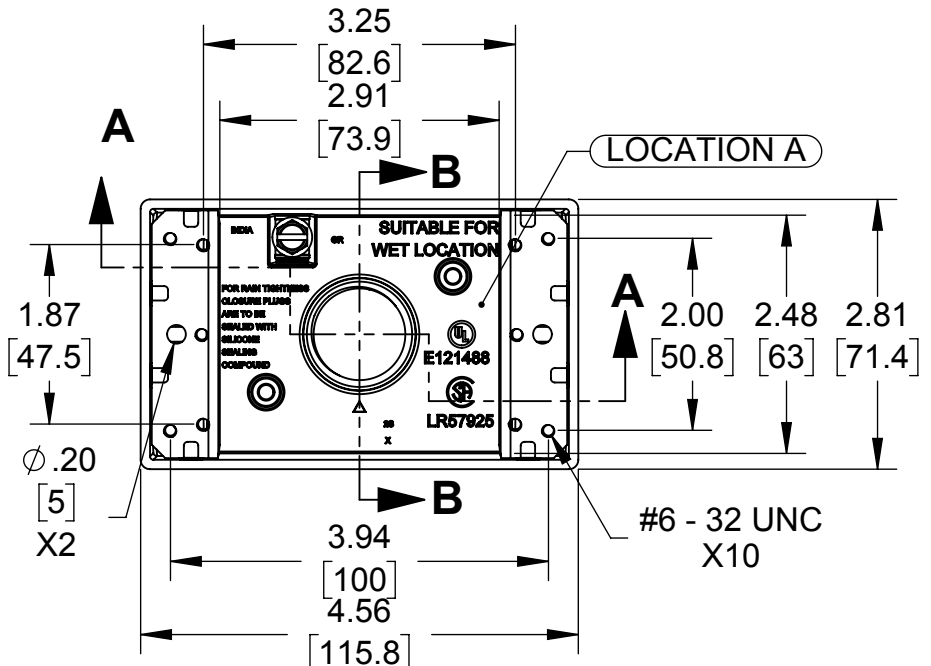
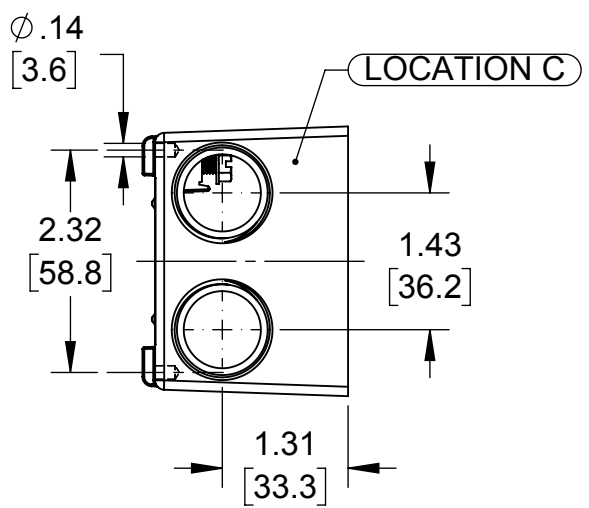
BOX MOUNTING LUG (QTY. 2)

#10-32UNF-2A X 3/8" HEX WASHER SELF TAPPING TRILOBULAR GROUNDING SCREW



SECTION A-A

OUTLET SIZE (SEE TABLE BELOW)



SECTION B-B

LIST OF PARTS

DESCRIPTION	MATERIAL	FINISH
SINGLE GANG BOX	DIE-CAST ALUMINUM	PAINT
GROUNDING SCREW	C1022 STEEL	GREEN ZINC AERODITE
CLOSURE PLUG	LEXAN/ZINC	SEE TABLE
MOUNTING LUG	CRCA	N/A
MOUNTING LUG SCREW	C1022 STEEL	.00015" ZINC PASSIVATION

GRAY BOX	CLOSURE PLUG 1/2" & 3/4" NPT	
	MATERIAL	FINISH
PRIMARY	LEXAN	GRAY
ALTERNATE	ZINC	NATURAL

SYM.	INITIAL RELEASE	S.J.	07/11/17
	REVISION DESCRIPTION	APP	DATE

THE DESIGN AND DIMENSIONS OF THE PRODUCT SHOWN ON THIS DRAWING ARE SUBJECT TO CHANGE WITHOUT NOTICE

TITLE:
SINGLE GANG WITH 5-HOLE RECT. BOX

OUTLETS					
CAT. #	OUTLET SIZE	OUTLET LOCATION	OUTLET QTY.	OUTLET LOCATION	OUTLET QTY.
5322-0	1/2" - 14 NPT	A	1	B & C	2
5331-0	3/4" - 14 NPT	A	1	B & C	2

- NOTES:
- ALL DIMENSIONS ARE IN INCHES AND [MILLIMETERS]
 - BOX VOLUME: SEE TABLE.
 - UL & CSA LISTED.

TOLERANCE UNLESS OTHERWISE SPECIFIED
.XX DECIMAL ±.015
.XXX DECIMAL ±.005
ANGLE ±2°

RACO
South Bend, Indiana

DRAWN BY: F.P.
APP. BY: S.J.
DATE: 07/11/2017

SCALE: 1:2

FILE NO. :
SINGLE GANG BOX WITH 5 OUTLETS (NO SIDE OUTLETS) CUS
DIMENSION SHEET FOR CAT. NO.
SEE CHART
SIZE: **B**