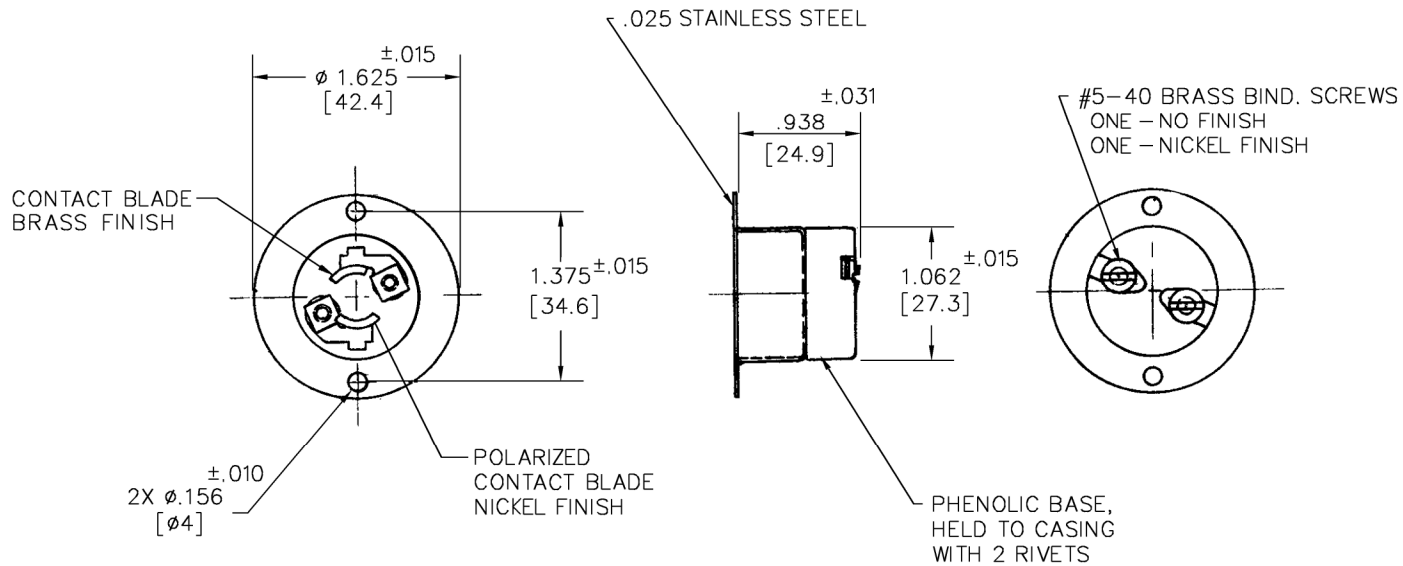


M-3004

3



LIST OF PARTS

DESCRIPTION	MATERIAL	FINISH
BASE	PHENOLIC	BLACK
CONTACT BLADES	BRASS	
INSERT	BRASS	ANNEAL
CUPPED WASHER	BRASS	
CASING	ST. STEEL	
BINDING SCREWS	BRASS	
RIVETS	BRASS	

SUPERSEDES DRAWING DATED 2/2/55

3	REDRAWN ON NEW FORMAT, WAS "A" SIZE; CASING: ST. STEEL WAS BRASS; REMOVED PARTIAL VIEWS OF BLADES; CONVERT DIMS. FROM FRACTION TO DECIMAL; ON BLADE CALLOUT: FINISH WAS COLOR; PER DCN 16134 RCM	DJP	11/18/09
SYM	REVISIONS	APP	DATE

THE DESIGN AND DIMENSIONS OF THE PRODUCT SHOWN ON THIS DRAWING ARE SUBJECT TO CHANGE WITHOUT NOTICE

TITLE
15A, 125V 2W INLET

TOLERANCES UNLESS OTHERWISE SPECIFIED		WIRING DEVICE-KELLEMS HUBBELL INCORPORATED BRIDGEPORT, CT	
FRACTIONS	$\pm 1/64$	DR. BY	PCT
DECIMALS	$\pm .005$	TR. BY	RCM
ANGLES	$\pm 2'$	APP. BY	SCALE NONE
		CHK'D BY	AS
		DATE	11/18/09

DIMENSION SHEET FOR CAT. NO. HBL 7467
 REPAIRABLE NON-REPAIRABLE
 M-3004
 3