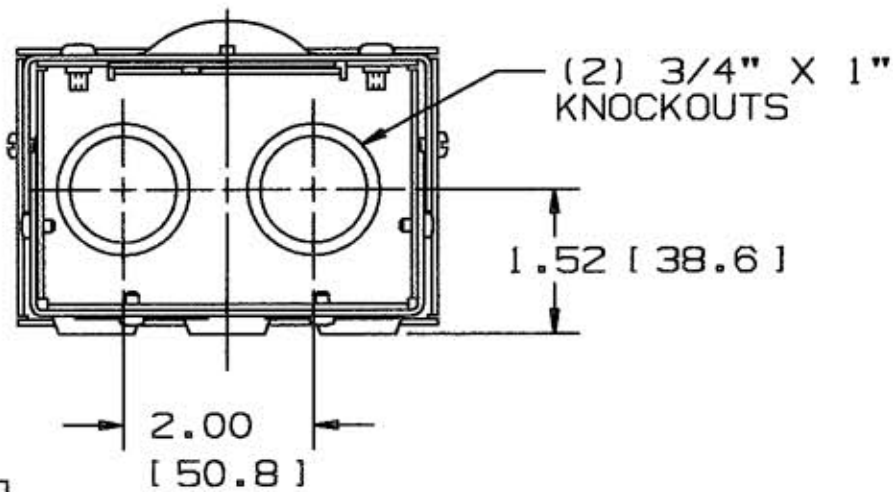
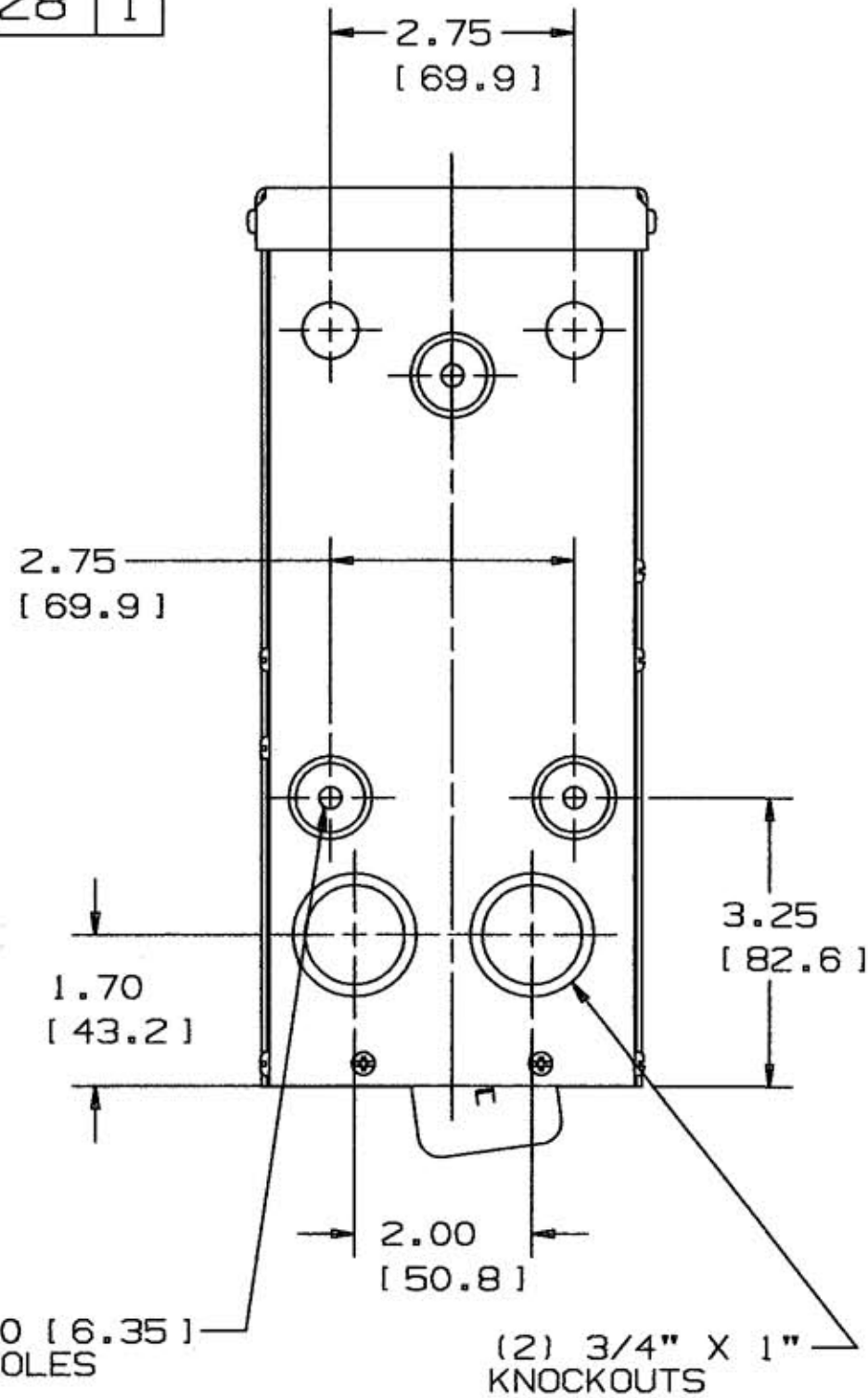
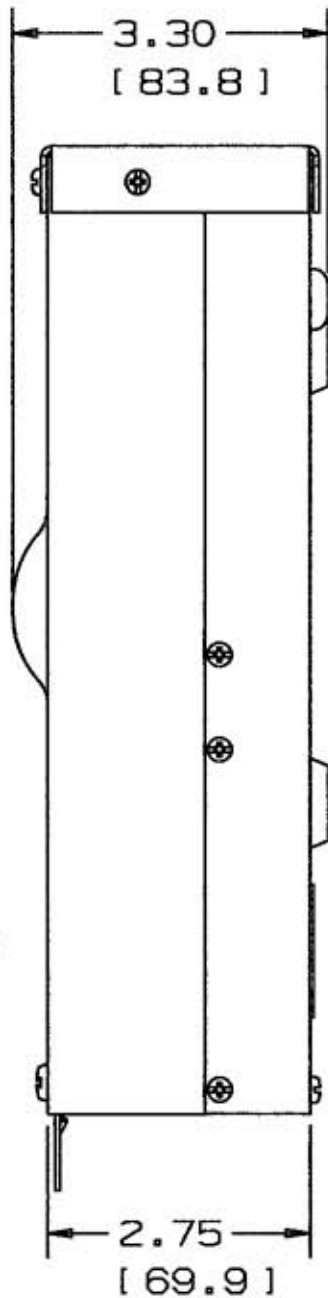
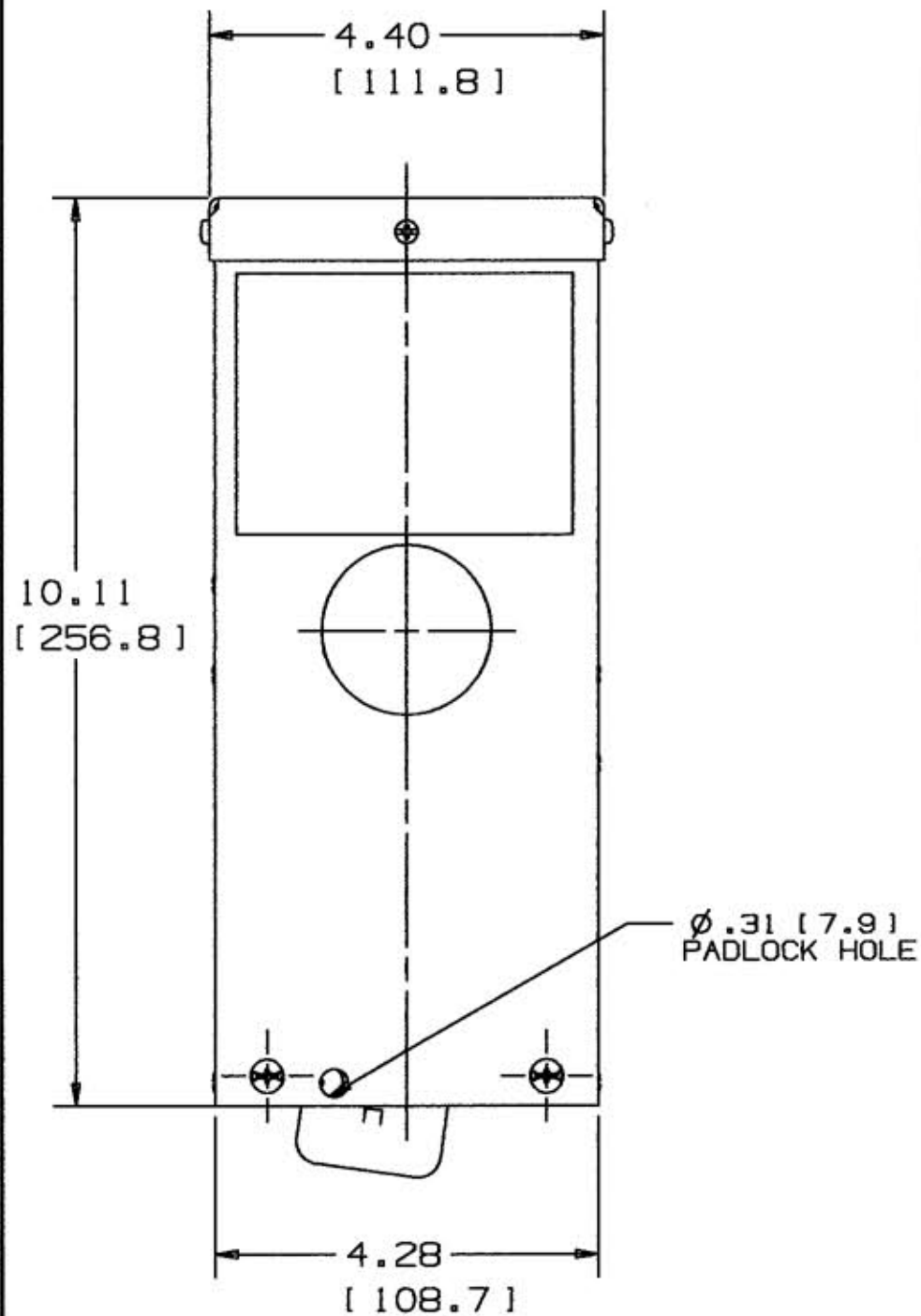


M-9328 1



Ø .250 [6.35] (3) HOLES

(2) 3/4" X 1" KNOCKOUTS

DIMS. IN INCHES [MM].

LIST OF PARTS

DESCRIPTION	MATERIAL	FINISH
ENCLOSURE	ALUMINUM	
SW BASE & COVER	THERMOSET	BLACK
SW HANDLE	THERMOPLASTIC	BLACK
SW BRIDGE	STEEL	ZINC
SW TERMINALS	COPPER ALLOY	
SW SCREWS	STEEL	ZINC
SW RIVETS	STEEL	ZINC

DIMENSION SHEET FOR CAT. NO.

SEE CHART

REPAIRABLE NON-REPAIRABLE

B

M-9328

1

1	DCN11626 INITIAL RELEASE	SM	4-14-04
SYM	REVISIONS	APP	DATE

THE DESIGN AND DIMENSIONS OF THE PRODUCT SHOWN ON THIS DRAWING ARE SUBJECT TO CHANGE WITHOUT NOTICE

TITLE NEMA 3R ENCLOSURE
60A MOTOR DISC.
HUBBELL CUSTOMER DRAWING

TOLERANCES UNLESS OTHERWISE SPECIFIED
FRACTIONS ± 1/64
DECIMALS ± .005
ANGLES ± 2°

WIRING DEVICE-KELLEMS
HUBBELL INCORPORATED
BRIDGEPORT, CT

DR. BY	PAC	APP. BY
TR. BY		SCALE NONE
CHK'D BY		DATE 3-26-04

CATALOG NO.	PHASE	GENERAL RATING	H.P. RATINGS				TERM. MAX. CAP. & WIRE INFO.	INSUL. STRIP IN. [MM]	TERMINAL TORQUE LB. IN. [Nm]
			120V AC	240V AC	480V AC	600V AC			
HBL16R92D	1Ø	60A		10	15	20	#6 AWG 60° C MIN.	5/8 [16]	25 [2.8]
HBL16R93D	3Ø	600VAC		10	25	30			
HBL16R90		EMPTY ENCLOSURE TO BE USED WITH HBL7862D OR HBL7863D							