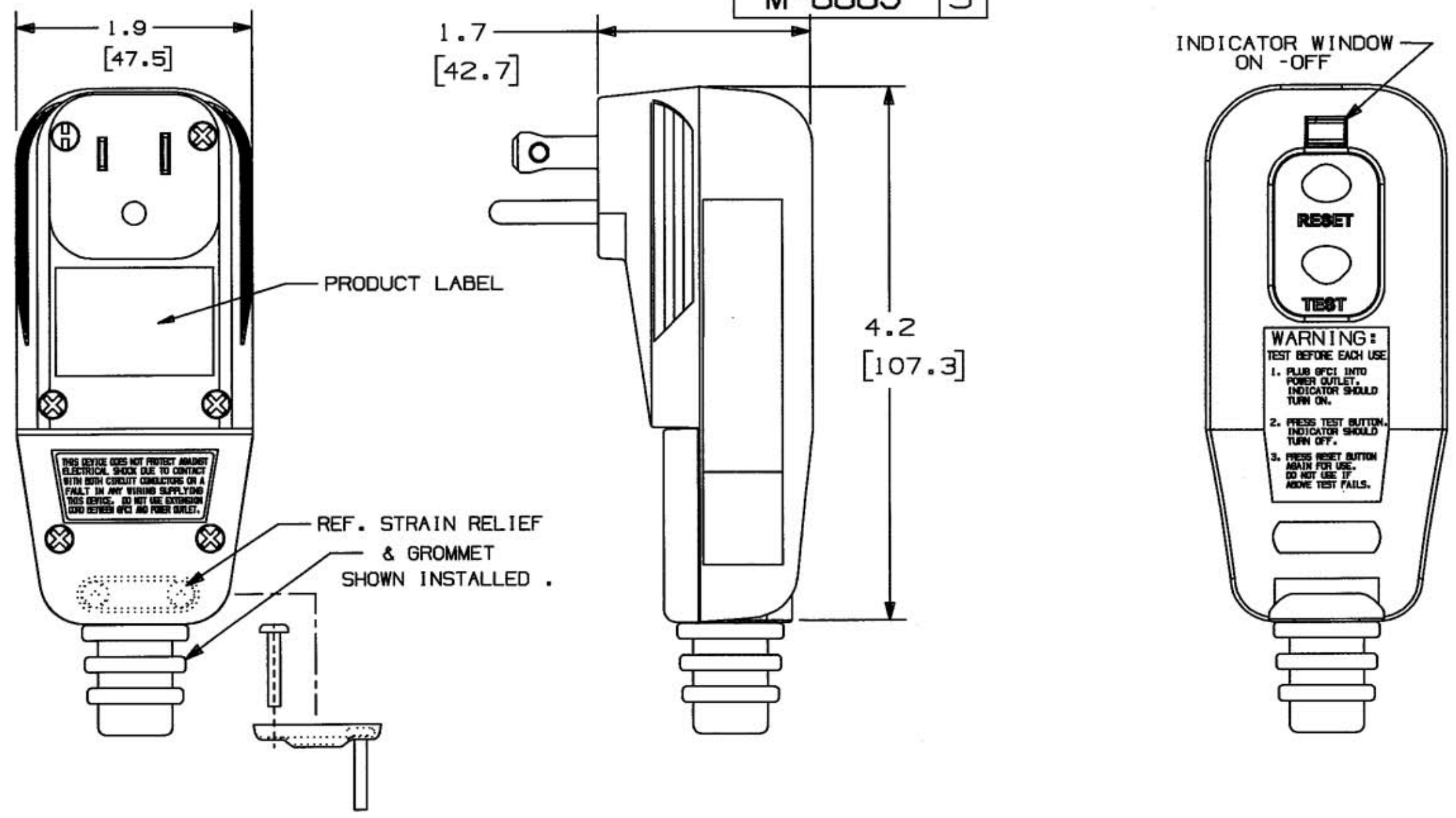


M-8889 3



NOTES:

- GFCI 15A PLUG COLOR IS BLACK WITH GREEN RESET BUTTON AND BLUE TEST BUTTON.
- ASSY KIT PACKED IN PLASTIC BAG WITH THE GFCI PLUG.
- ASSEMBLY KIT INCLUDES:
 - INSTRUCTION SHEET,
 - CABLE STRAIN RELIEF,
 - (1) CORD LABEL D-58863-01
 - (4) SCREWS PACKED IN A PLASTIC BAG.
 - (3) GROMMETS (1) 16/3 GA
 - (1) 14/3 GA
 - (1) 12/3 GA

CAT. NO.	RESET TYPE	VOLTAGE	AMP	WATTS	Hz
GFP515M	MANUAL	120	15	1800	60
GFP515A	AUTOMATIC	120	15	1800	60

LIST OF PARTS

DESCRIPTION	MATERIAL	FINISH
GFCI BODY	POLYCARB.	BLACK
GFCI BLADES	BRASS	NONE
RESET BUTTON	POLYCARB.	GREEN
TEST BUTTON	POLYCARB.	BLUE
STRAIN RELIEF	ELASTOMER	BLACK
CORD GRIP	POLYCARB.	BLACK
SCREWS	STEEL	TIN ZINC

3	4/7/04 REVISED VIEWS & CALLOUTS TO AGREE WITH NEW DESIGN; ADDED NOTES 1 THRU 3 PER DCN 11630 RCM	SL SC	4/7/04
2	9/23/02 REVISED PLASTIC BAG VIEW; STRAIN RELIEF SCREWS (2) WAS STRAIN RELIEF AND COVER SCREWS (4). REMOVED 2 SCREWS FROM VIEW. DIMENSION (1.6) WAS 1.6, (2.0) WAS 2.0, (4.1) WAS 4.1. PER DCN 10211 SPN	SM	9/23/02
1	1.8.2.02 INTIAL RELEASE PER DCN 10077 SM	S.M.	8.23.02
SYM	REVISIONS	APP	DATE

THE DESIGN AND DIMENSIONS OF THE PRODUCT SHOWN ON THIS DRAWING ARE SUBJECT TO CHANGE WITHOUT NOTICE

TITLE
GFCI 15A CUSTOMER DWG.

TOLERANCES UNLESS OTHERWISE SPECIFIED FRACTIONS ±1/64 DECIMALS ±.005 ANGLES ±2°	WIRING DEVICE-KELLEMS HUBBELL INCORPORATED BRIDGEPORT, CT	
	DR. BY S.M.	APP. BY S.M.
	TR. BY	SCALE 1:1
	CHK'D BY S.M.	DATE 7.26.02

DIMENSION SHEET FOR CAT. NO. M-8889
 REPAIRABLE NON-REPAIRABLE B
 W