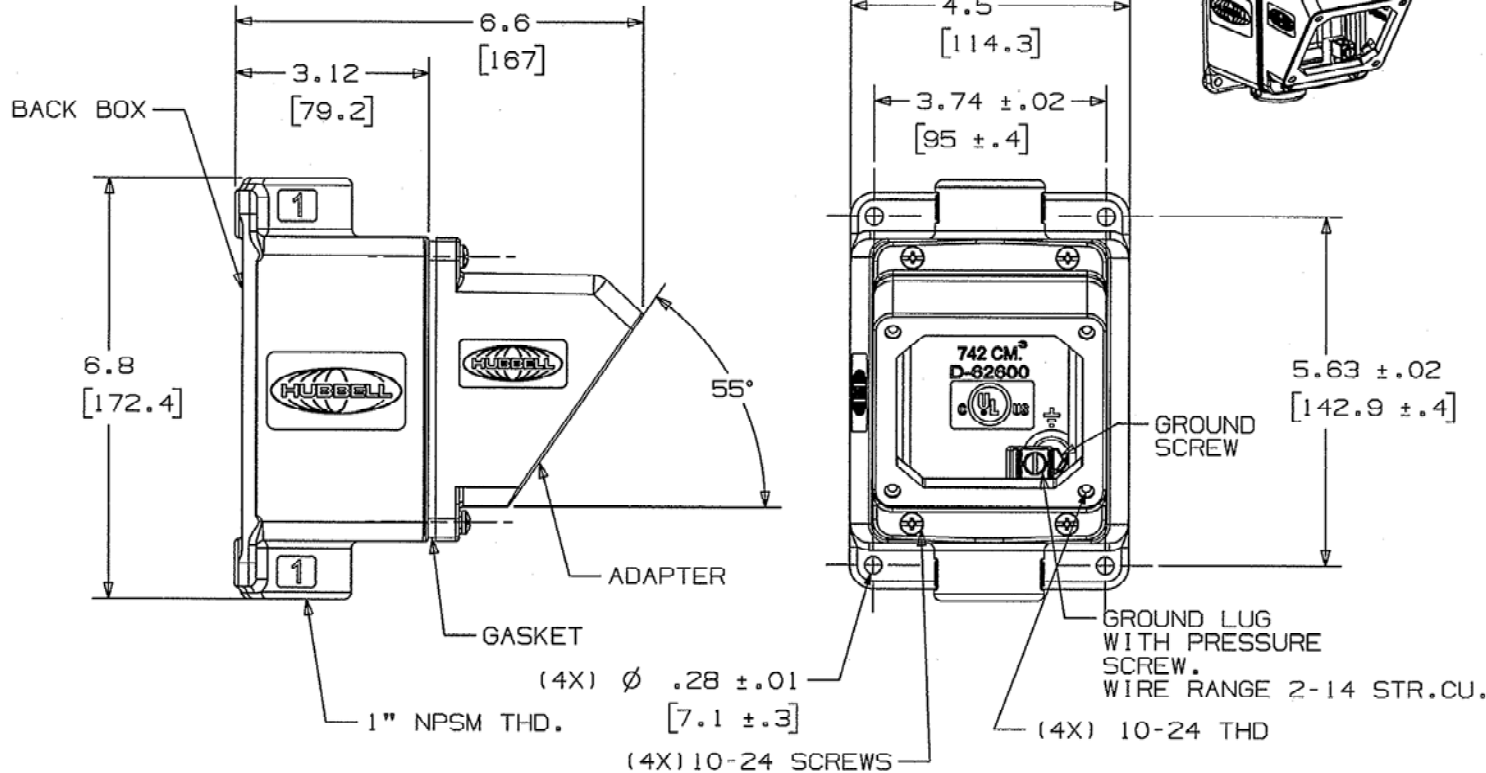
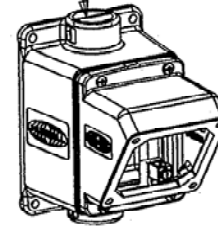


M-11156 1

1" CLOSURE PLUG
(PROVIDED)



NOTES:

1. DIMENSIONS ARE IN INCHES [MM].
2. TOLERANCE TO BE .X ± .06
TOLERANCE TO BE .XX ± .03
ANGLES ± 2°
3. UL and cUL Listed.

LIST OF PARTS

DESCRIPTION	MATERIAL	FINISH
BACK BOX	CAST ALUM	GREY
ANGLE ADAPTER	CAST ALUM	GREY
GASKET	NEOPRENE	
CLOSURE PLUG	DIE CAST	ZINC
MT. SCREWS	STAINLESS STEEL	
GROUND LUG	ALUM	
GROUND SCREW	STEEL	GREEN
GROUND LUG SCREW	STEEL	ZINC
PRESSURE SCREW	ALUM	

2	CHANGE VOL. MARKING FROM 797CM ² TO 742 CM ² PER DCN 15615 CAC		
1	NEW RELEASE PER DCN 15335 11/24/08	CAC	

SYM	REVISIONS	APP	DATE
-----	-----------	-----	------

THE DESIGN AND DIMENSIONS OF THE PRODUCT SHOWN ON THIS DRAWING ARE SUBJECT TO CHANGE WITHOUT NOTICE

TITLE
20A,30A ANGLE ADAPTER
WITH FEED THRU BACK BOX

TOLERANCES UNLESS OTHERWISE SPECIFIED
FRACTIONS ± 1/64
DECIMALS ± .005
ANGLES ± 2°

WIRING DEVICE-KELLEMS
HUBBELL INCORPORATED
BRIDGEPORT, CT
DR. BY CAC APP. BY CAC
TR. BY SCALE 1/2
CHK'D BY DATE 11/18/08