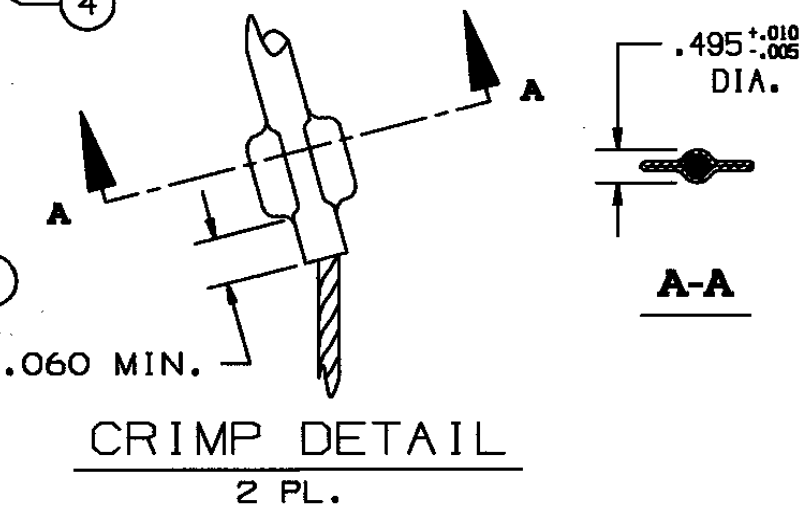
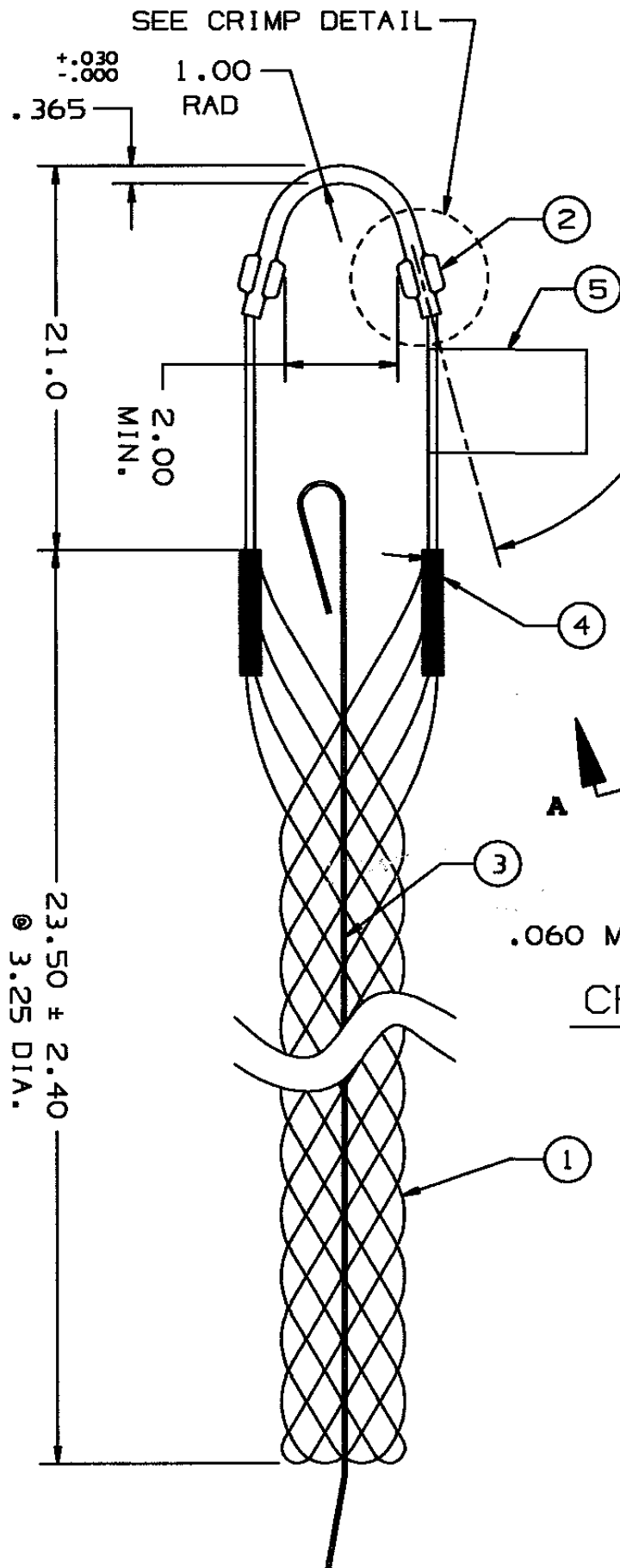


### COMPONENT LIST

ITEM NO.	DESCRIPTION	MAT'L	COMPONENT NO.	QTY.
1	STRAND	T-BRZ	302-74-148	10
2	EYE	SST	304-46-084	1
3	ROD	SST	304-53-019	1
4	EQUALIZER	SST	304-48-011	2
5	TAG	MYLAR		1



IN ACCEPTING OUR DRAWINGS OR BLUEPRINTS FOR QUOTATION OR OTHER PURPOSES, YOU AGREE NOT TO DISCLOSE TO OTHERS THE IDEAS, INFORMATION, OR DESIGNS THEREIN SHOWN, AND THAT YOU WILL MAKE NO USE OF OUR DRAWINGS OR BLUEPRINTS OR OF THE IDEAS, INFORMATION, OR DESIGNS THEREIN SHOWN WITHOUT OUR PERMISSION.

TITLE GRIP, STD, SUPPORT, SPLIT-ROD CLOSING, SINGLE WEAVE, SINGLE "U" EYE  
DIA. RA. 3.00-3.49  
APPROX. BRK. STR. 5750# ±20%

TOLERANCES UNLESS OTHERWISE SPECIFIED .X = ±.5 .XX = ±.05 .XXX = ±.015 ANGLE TOL. ± 2°	HUBBELL INCORPORATED KELLEMS DIVISION STONINGTON, CT	
	DR. BY FBR	APP. BY FFS
PROJECT NO.	TR. BY	SCALE N/A
	CHK. BY TCM	DATE 1-4-94

DR. NO. 022-03-023 REV. M