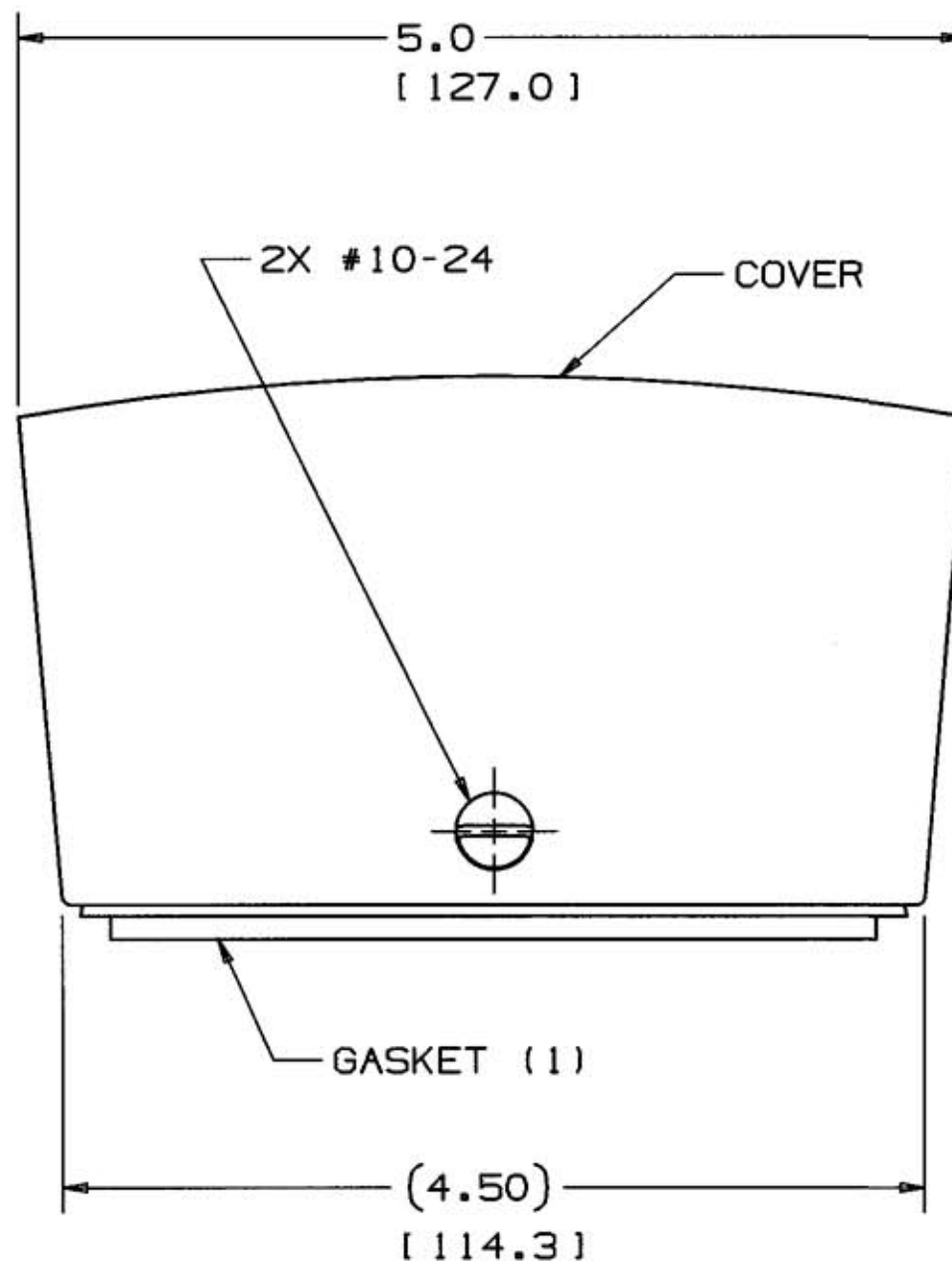
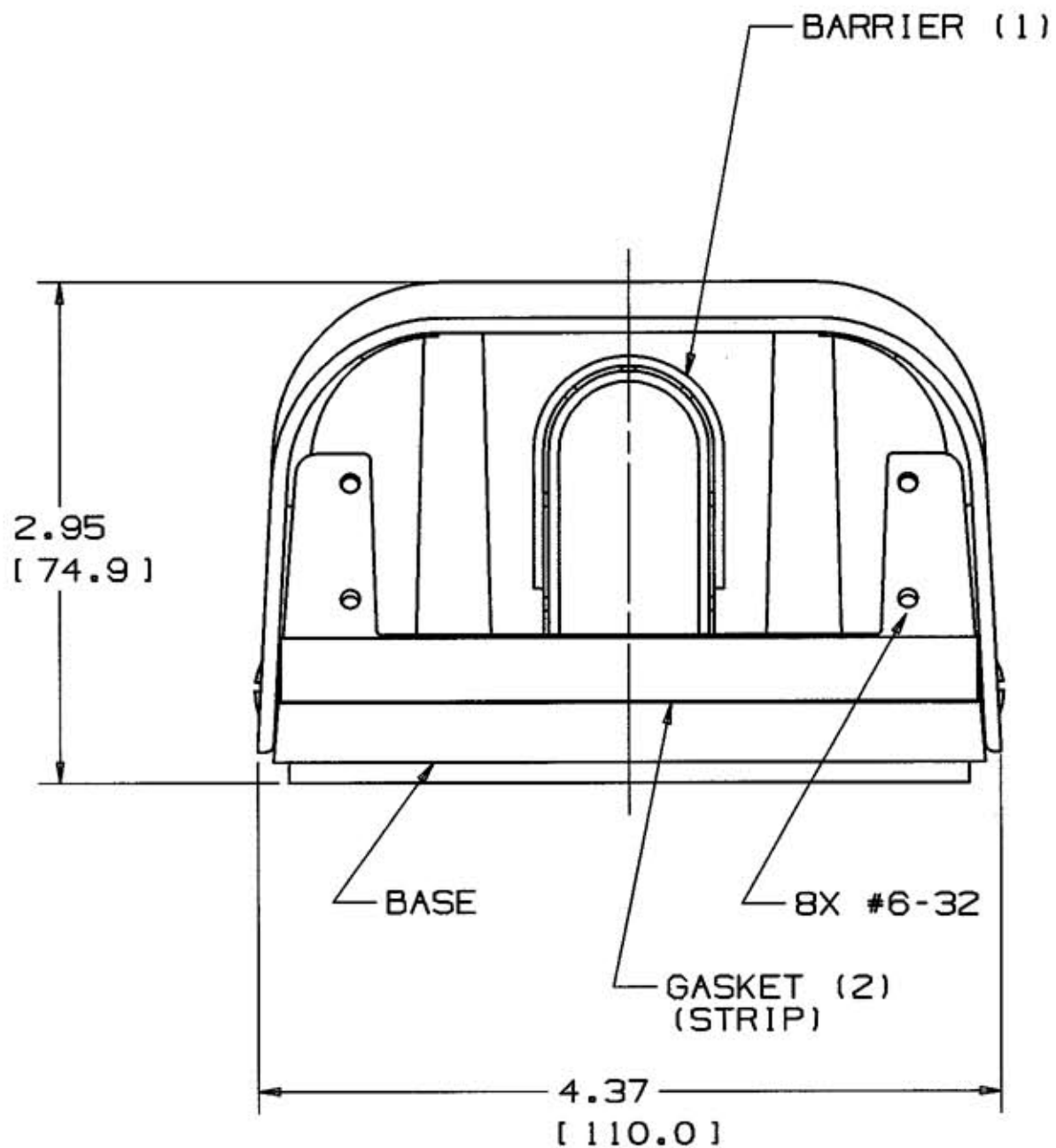


M-8855 1



NOTE: USE FRONT PLATES SS309 SERIES.

LIST OF PARTS

DESCRIPTION	MATERIAL	FINISH
BASE	DIE CAST ALUM.	NATURAL
BARRIER	PVC	GRAY
GASKET	ELASTOMER	BLACK
COVER	DIE CAST ALUM.	BRUSHED & LACQUER
GR SCREW #10-32 SL/PHIL.	STEEL	ZINC & GREEN
OVAL HD SCREW #10-24	SSTEEL	NATURAL
(2) GASKET STRIP	ELASTOMER	BLACK

1	RELEASED PER DCN9516	SM	6-18-02
SYM	REVISIONS	APP	DATE

THE DESIGN AND DIMENSIONS OF THE PRODUCT SHOWN ON THIS DRAWING ARE SUBJECT TO CHANGE WITHOUT NOTICE

TITLE CUSTOMER DRAWING SATIN ANODIZED ALUM. PEDESTAL

TOLERANCES UNLESS OTHERWISE SPECIFIED	WIRING DEVICE-KELLEMS HUBBELL INCORPORATED BRIDGEPORT, CT	
FRACTIONS ±1/64	DR. BY PAC	APP. BY
DECIMALS ±.005	TR. BY	SCALE 1-1
ANGLES ±2°	CHK'D BY SM	DATE 6-13-02