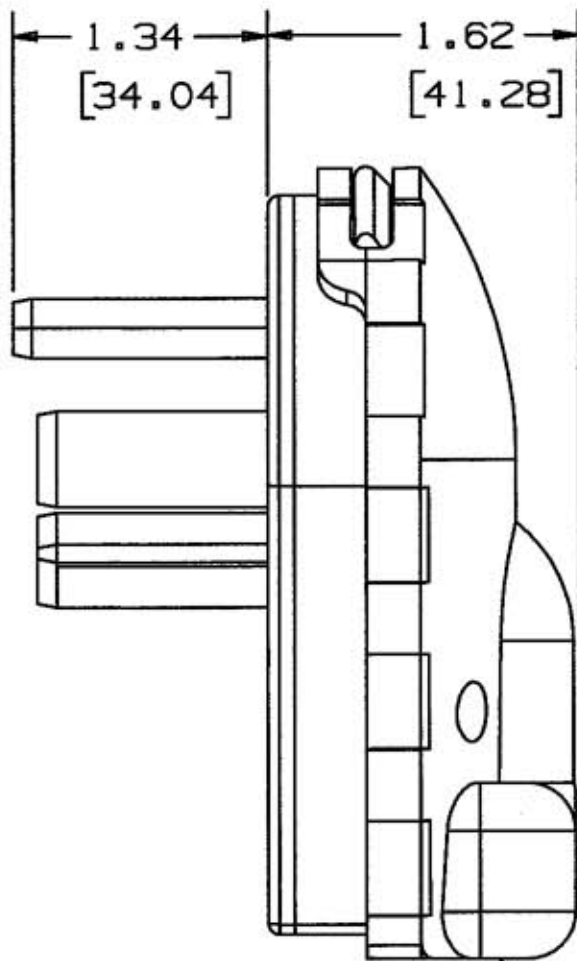
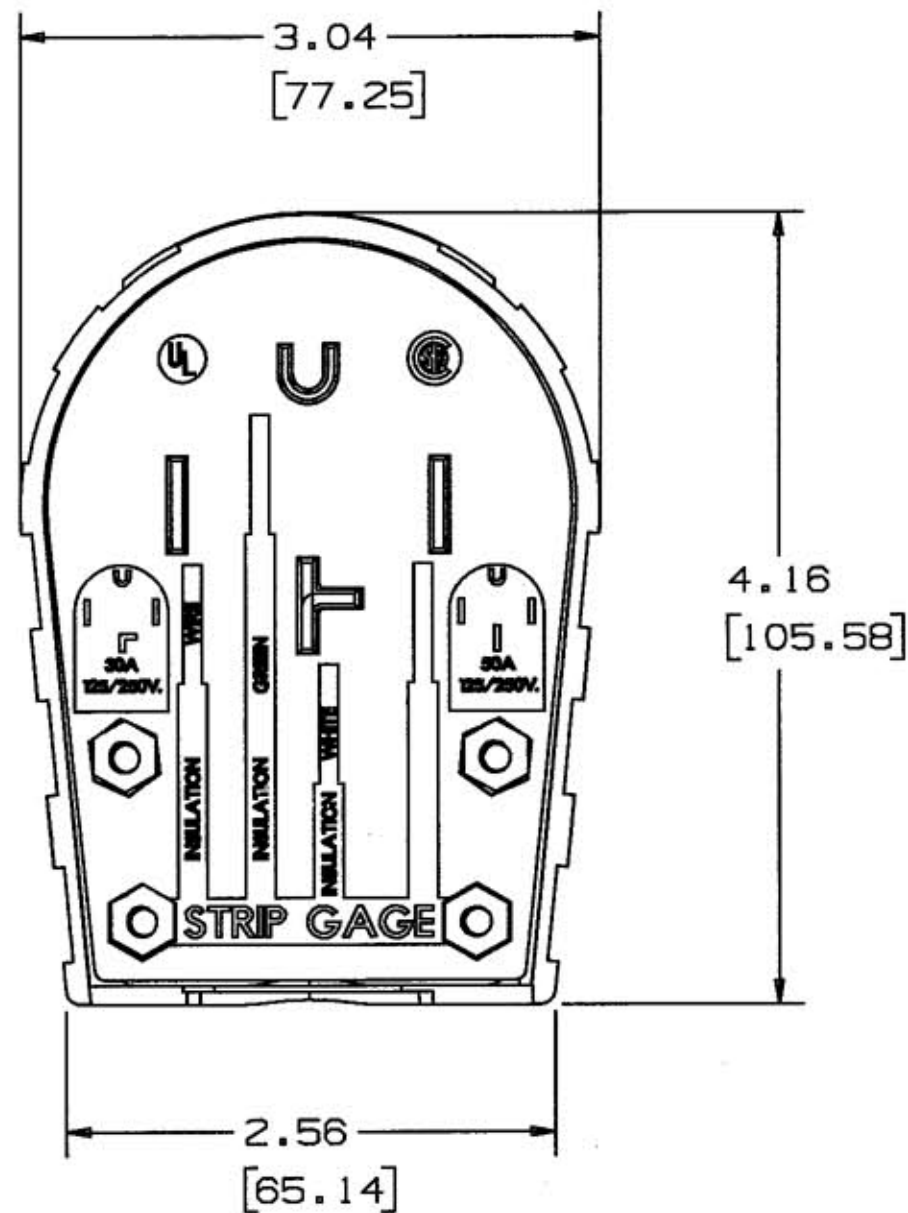


M-9940 1



CORD GRIP RANGE
AWG RANGE: #6-#10

CONFIGURATION		RATING
NEMA 14-30P		30A 125/250V
NEMA 14-50P		50A 125/250V

- NOTES:
 1. CAN BE FIELD WIRED EITHER AS NEMA 14-30P OR 14-50P.
 2. DIMENSIONS ARE IN INCHES [MM].

LIST OF PARTS

DESCRIPTION	MATERIAL	FINISH
COVER	PLASTIC	BLACK
TERMINALS	BRASS	
BASE	PLASTIC	BLACK
CORD GRIP	PLASTIC	BLACK
SCREW, COVER	STEEL	ZINC
LOCKNUT	STEEL	ZINC

DIMENSION SHEET FOR CAT. NO. RR435P

REPAIRABLE NON-REPAIRABLE

B

M-9940

1

1	RELEASE PER DCN# 13448	11/27/06
SYM	REVISIONS	APP DATE

THE DESIGN AND DIMENSIONS OF THE PRODUCT SHOWN ON THIS DRAWING ARE SUBJECT TO CHANGE WITHOUT NOTICE

TITLE
 30A & 50A
 4 WIRE ANGLE PLUGS

TOLERANCES UNLESS OTHERWISE SPECIFIED FRACTIONS ±1/64 DECIMALS ±.005 ANGLES ±2°	WIRING DEVICE-KELLEMS HUBBELL INCORPORATED BRIDGEPORT, CT.	
	DR. BY MPF	APP. BY DMP
	TR. BY	SCALE 1/1
	CHK'D BY DMP	DATE 10/10/05