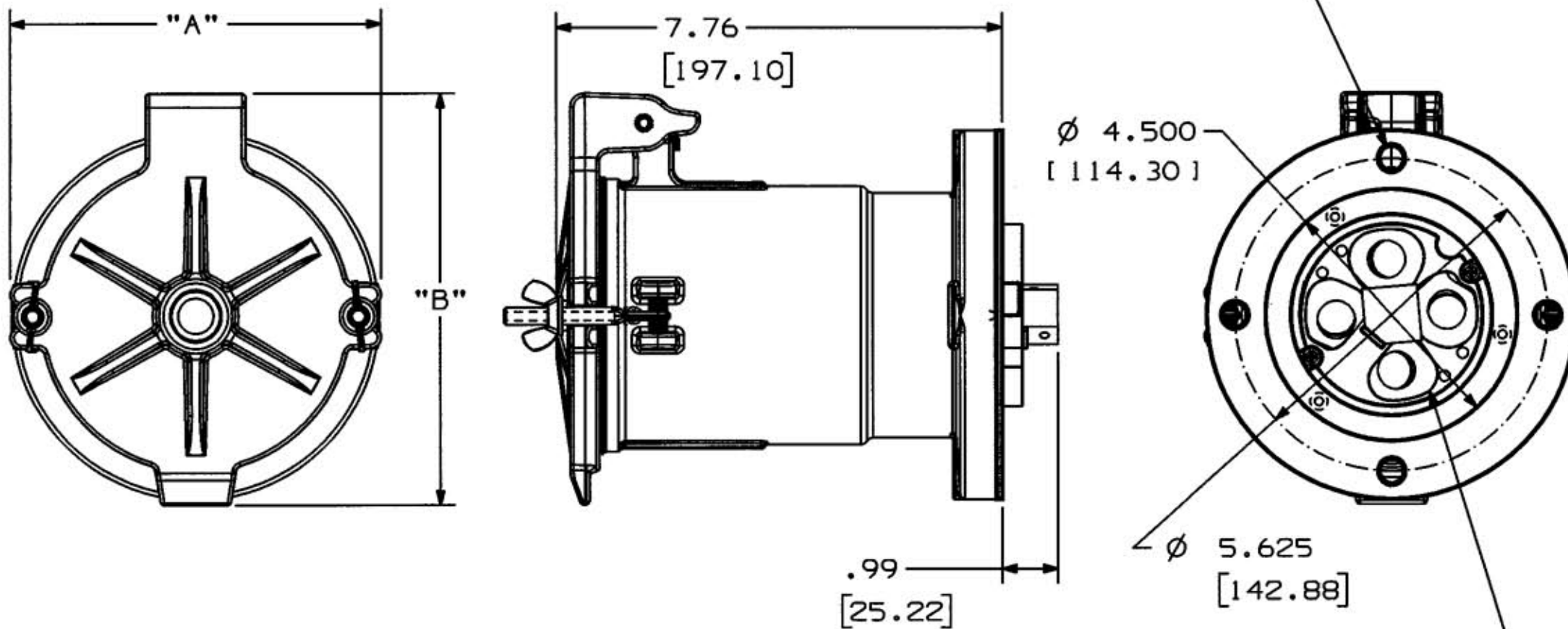


M-8222 3



WIRE RANGE
#1-250 MCM
COPPER ONLY

NOTES: (UNLESS OTHERWISE SPECIFIED)

1) DIMENSION FORMAT IS: INCHES
[mm]

TABLE

AMPS	MAX VOLTAGE AC/DC	CONNECTOR CATALOG NUMBER	PLUG			DIM "A"		DIM "B" Ø	
			STYLE	POLE	WIRE	INS.	mm	INS.	mm
200	600/250	HBL4200RS1W	S1	3P	4W	6.5	165.1	7.0	177.8
200	600/250	HBL3200RS2W	S2	2P	3W	6.9	169.9	7.39	187.7
200	600/250	HBL5200RS1W	S1	4P	5W				
200	600/250	HBL4200RS2W	S2	3P	4W				

LIST OF PARTS

DESCRIPTION	MATERIAL	FINISH
HINGE BUSHING	ALUMINUM	
SPRING GUIDE	STAIN STEEL	
LID SPRING	STAIN STEEL	
LID	ALUMINUM	GRAY EPOXY
O-RING	RUBBER	
LID GASKET	RUBBER	
RIVET	ALUMINUM	
RECEPTACLE	ALUMINUM	GRAY EPOXY
SCREWS	STAIN STEEL	
PIN SPRING	COPPER ALLOY	SILVER COATED
SPRING WASHER	COPPER ALLOY	
PINS	BRASS	
SWING BOLT	STAIN STEEL	
BUTTERFLY NUT	STAIN STEEL	
GROUND POST	BRASS	
GROUND STRAP	COPPER ALLOY	
INTERIOR	THERMOSET POLYESTER	

SYM	REVISIONS	APP	DATE
3	REVISED TABLE, ADDED "SEE TABLE", Ø 4.500 [114.30], & NOTE 1; DRAWING TITLE WAS "200A PIN & SLEEVE RECEPTACLE ASSEMBLY STYLES 1 & 2"; ADDED "COPPER ONLY" TO "WIRE RANGE #1-250 MCM"; ADDED "4X Ø .406 [10.32]"; REMOVED "mm" FROM DIMENSIONS; PER DCN #8695. JMN	TCM	1/24/02
2	2/25/00 ADDED WIRE RANGE ADDED MM DIM TO TABLE REMOVED REF DIM SYMBOLS PER DCN 6793-4 ALM	RDK	3/20/00
1	RELEASED PER DCN-6793 5/28/99 MJM RDK	RDK	6/7/99

THE DESIGN AND DIMENSIONS OF THE PRODUCT SHOWN ON THIS DRAWING ARE SUBJECT TO CHANGE WITHOUT NOTICE

TITLE
200A INSULGRIP PIN & SLEEVE RECEPTACLE
STYLE 1 & 2

TOLERANCES UNLESS OTHERWISE SPECIFIED	WIRING DEVICE-KELLEMS HUBBELL INCORPORATED BRIDGEPORT, CT	
FRACTIONS ± 1/64	DR. BY MJM	APP. BY
3 DECIMALS ± .005	TR. BY	SCALE 1/2 SIZE
ANGLES ± 2°	CHK'D BY	DATE 5/24/99
2 DECIMALS ± .030		