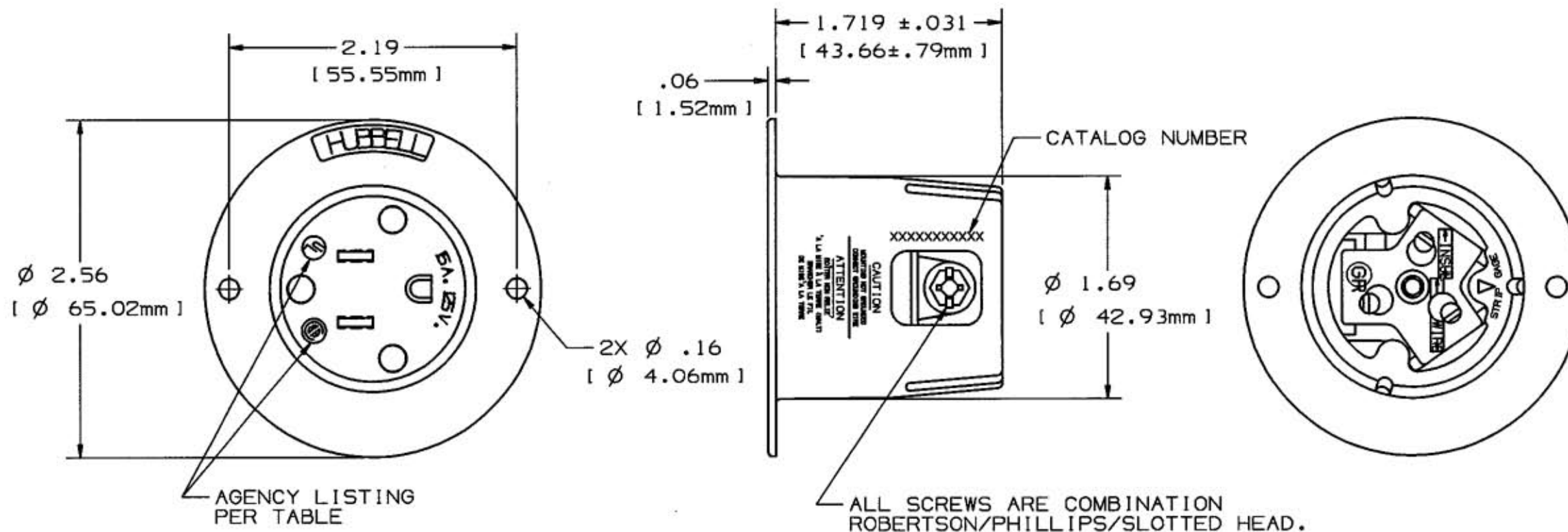






M-7146 5




CAT. NO.	CONFIGURATION	RATING	UL	CSA
HBL5278C	NEMA 5-15P 	15A. 125V.	YES	YES
HBL5378C	NEMA 5-20P 	20A. 125V.	YES	YES
HBL5478C	NEMA 6-20P 	20A. 250V.	YES	YES
HBL5678C	NEMA 6-15P 	15A. 250V.	YES	YES

LIST OF PARTS		
DESCRIPTION	MATERIAL	FINISH
BLADE HOLDER	NYLON	NATURAL
RETAINER	POLYCARBONATE	CLEAR
CASING	NYLON	NATURAL
WIRE CLAMPS	.062 CRS	NICKEL PL
CONTACT BLADES	.060 BRASS	*
GROUND CONTACT BLADE	.040 BRASS	
BINDING SCREWS	BRASS	*
GROUND HEX HEAD BINDING SCREW	BRASS	GREEN
MTG. SCREWS	BRASS	NICKEL PL
ASSEM FASTENERS	STEEL	ZINC PL

* WHITE FINISH ON NEUTRAL PARTS WHEN USED

SYM	REVISIONS	APP	DATE
5	IN LIST OF PARTS, "POLYCARBONATE WAS "LEXAN"; PER DCN #8996. JMN	CJC CJC	2/18/02
4	REMOVED CANADIAN CAT. NO. COL. CHANGED SCREW TO TRI-DRIVE PER DCN #7773. AMZ	DB	7/20/00
3	ADDED CANADIAN CAT. NO. COLUMN & "HBL5278CCN"; APPENDED "ALL SCREWS..." CALL-OUT; PER DCN #3255. JMN	ZIMM 3/3	2/9/95
2	TABLE UPDATED; "ALL SCREWS..." ADDED; AGENCY LISTED..." ADDED PER DCN #2940 RCM	ZIMM	8/1/94
1	"X" REMOVED PER DCN #1906 RCM	VFL	7/13/93

THE DESIGN AND DIMENSIONS OF THE PRODUCT SHOWN ON THIS DRAWING ARE SUBJECT TO CHANGE WITHOUT NOTICE

TITLE INSULGRIP 
2 POLE 3 WIRE
GROUNDING STRAIGHT BLADE
FLANGED INLETS

TOLERANCES UNLESS OTHERWISE SPECIFIED
FRACTIONS $\pm 1/64$
DECIMALS $\pm .005$
ANGLES $\pm 2^\circ$

WIRING DEVICE-KELLEMS
HUBBELL INCORPORATED
BRIDGEPORT, CT

DR. BY RCM APP. BY VFL
TR. BY SCALE $1/1$
CHK'D BY ZIMM DATE 7/13/93

DIMENSION SHEET FOR CAT. NO. SEE TABLE

REPAIRABLE NON-REPAIRABLE

B

M-7146

5