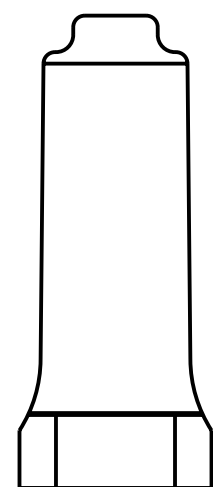
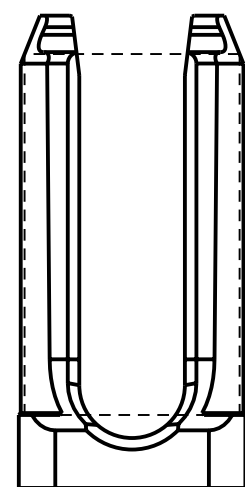
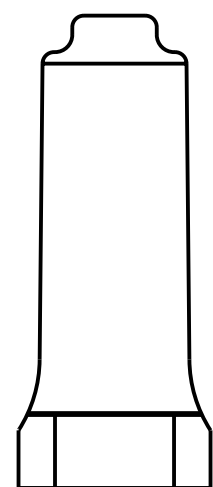
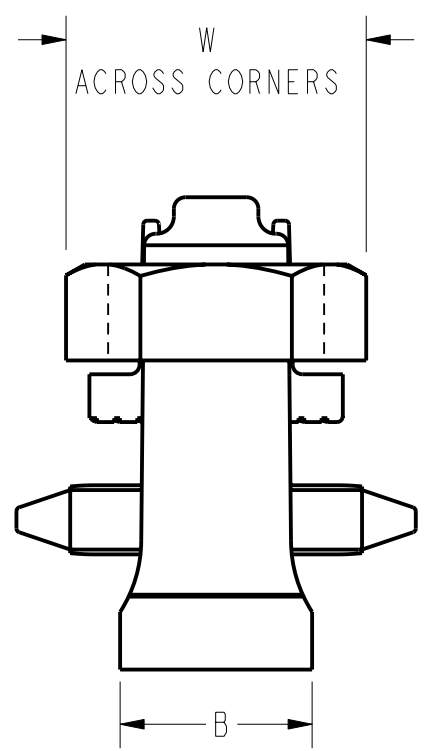
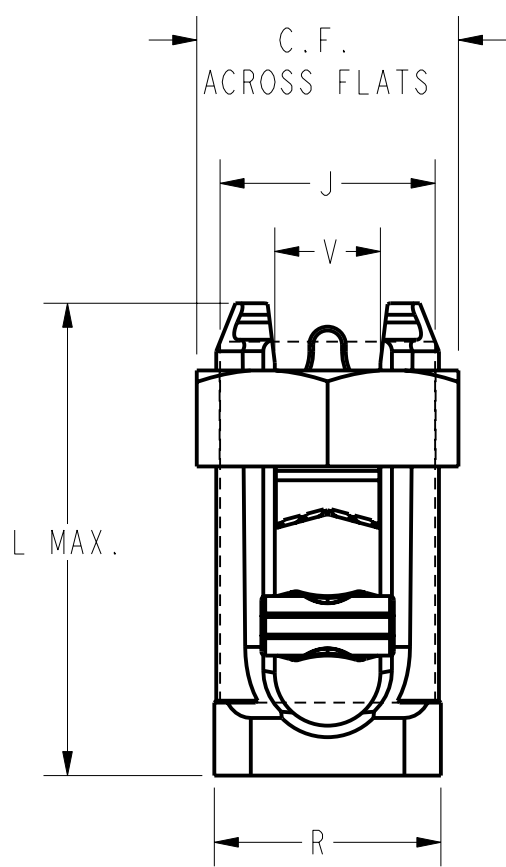


| CATALOG NUMBER | CONDUCTORS ACCOMMODATED (COPPER AND ALUMINUM) |                                  |   |       | B            | C.F.         | J             | L            | R            | V REF.      | W REF.       |
|----------------|---|----------------------------------|---|-------|--------------|--------------|---------------|--------------|--------------|-------------|--------------|
|                | AWG   |                                  | METRIC WIRE SIZE  |       |              |              |               |              |              |             |              |
|                | STRANDED                                      | SOLID                            | STRANDED  | SOLID |              |              |               |              |              |             |              |
| KSU28          | 1 (.332 DIA.)<br>4/0 (.528 DIA.)              | 1 (.289 DIA.)<br>4/0 (.460 DIA.) | [50mm <sup>2</sup> (9.3 DIA.)]<br>[95mm <sup>2</sup> (12.8 DIA.)] | --    | 1.00<br>[25] | 1.35<br>[34] | 1-1/8"-12NF-2 | 2.46<br>[63] | 1.18<br>[30] | .55<br>[14] | 1.56<br>[40] |

| REV. | DATE                  | DESCRIPTION  | ECO   | BY | C'H'K. |
|------|-----------------------|--|-------|----|--------|
| A    | 10/6/2009 12:00:00 AM | UPDATE CURRENT AND CREATE NEW DOCUMENTATION FOR KS28 AND KSU28 | 18293 | DG | JP     |



TYPICAL LETTERING



NOTES:

1. MATERIAL: COPPER ALLOY.
2. DIMENSIONS IN BRACKET [ ] ARE IN MILLIMETERS ROUNDED OFF TO THE NEAREST MILLIMETER, UNLESS OTHERWISE NOTED, AND ARE FOR REFERENCE ONLY.
3. FINISH: TIN PLATED.
4. SPECIAL INSTRUCTIONS FOR ALUMINUM CONDUCTORS: WHEN USED ON ALUMINUM CONDUCTORS, SMEAR PENETROX™ 'A' OR EQUIVALENT ON THE CONDUCTOR STRANDS, SCRATCH BRUSHING THE ALUMINUM CONDUCTORS (BUT NOT THE CONNECTOR) AFTER APPLYING THE COMPOUND IS RECOMMENDED. PENETROX™ 'A' MAY BE PURCHASED FROM BURNDY PRODUCTS.
5. THIS DRAWING TO BE INTERPRETED PER ASME Y14.5M - 1994.

TO ORDER BURNDY® PRODUCTS CALL  
 UNITED STATES:  
 1-800-346-4175 (LONDONDERRY, NH)  
 CANADA:  
 1-800-361-6975 (QUEBEC)  
 1-800-387-6487 (ALL OTHER PROVINCES)  
 FOR PRODUCT INFO: <http://www.burndy.com>

| SERVIT®                             |              |
|-------------------------------------|--------------|
| ITEM NO: 10058504                   |              |
| CAT. NO: KSU28                      |              |
| DRAWN BY: R. BOISVERT 06/03/2009    |              |
| CHECKER: J. PARKER 08/04/2009       |              |
| DSN APPVL: J. HALL 08/04/2009       |              |
| MFG APPVL: T. WAWRZYNIAK 08/07/2009 |              |
| QA APPVL: J. BRODEUR 08/11/2009     |              |
| MKT APPVL: --                       |              |
| PROD FAM: --                        |              |
| PROJECT #: --                       |              |
| DOCUMENT TYPE: Sales                |              |
| REL LEVEL: Released                 |              |
| SCALE: 1:1                          |              |
| DRAWING NO                          | REV          |
| 10104971                            | A            |
| SIZE B                              | SHEET 1 OF 1 |

REV: PE0200