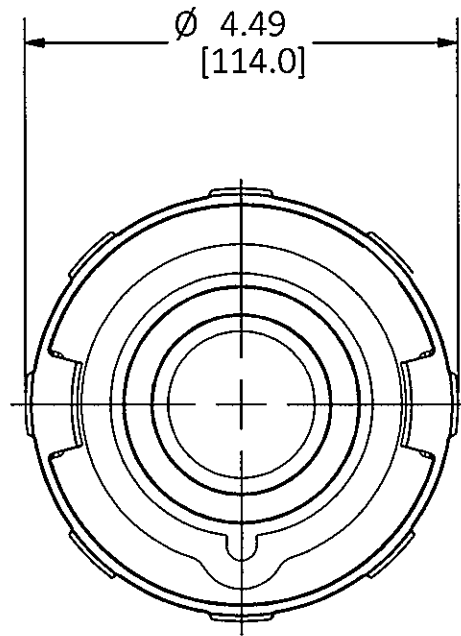
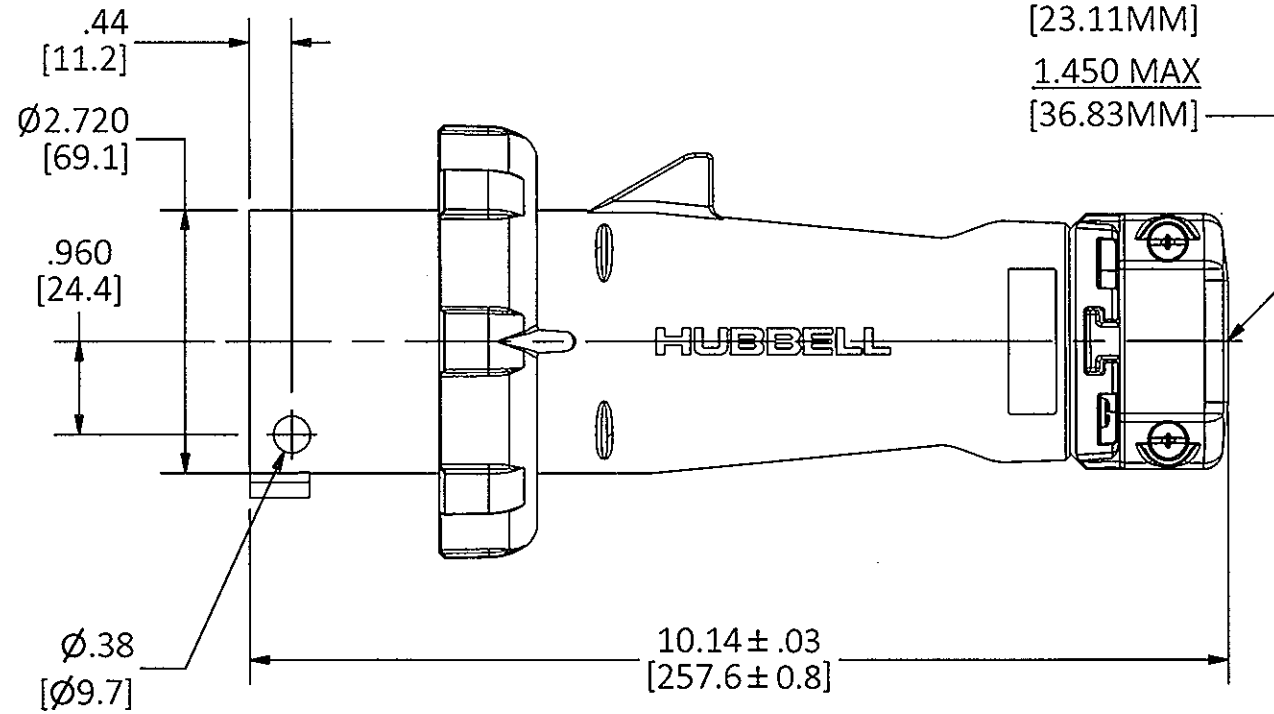


M-13331

1

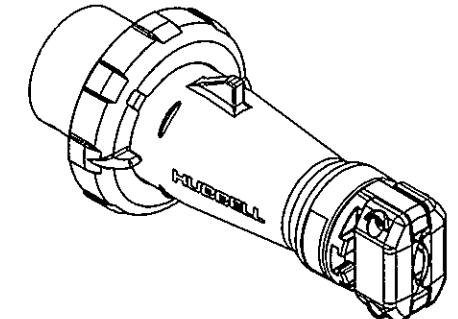


(INTERIOR NOT SHOWN)



CABLE DIA:
.500 MIN
[23.11MM]
1.450 MAX
[36.83MM]

LIST OF PARTS		
DESCRIPTION	MATERIAL	FINISH
HOUSING	PBT	
GASKET	RUBBER	
LOCKING RING	PBT	
INTERIOR	THERMOSET	
PINS	BRASS	
TERM. SCREWS	ST. STEEL	
GLAND CAP	PBT	
GLANDS	RUBBER	
CLAMPS	PBT	
CLAMP NUTS	BRASS	NICKEL
ASSY SCREWS	ST. STEEL	



CAT. NO.	CONFIG.	RATING	HOUSING COLOR	PILOT
HBL360P3W		60A 250VDC	BLUE	NO
HBL360P4W		60A 125VAC	YELLOW	NO
HBL360P4WP		60A 125VAC	YELLOW	YES
HBL360P6W		60A 250VAC 63A - 6h/200-250V~	BLUE	NO
HBL360P6WP		60A 250VAC 63A - 6h/200-250V~	BLUE	YES
HBL360P6V04		60A 250VAC	BLUE	NO
HBL360P7W		60A 480VAC	RED	NO
HBL360P7WP		60A 480VAC	RED	YES
HBL360P8V0DC		60A 550VDC	BLACK	NO

1	INITIAL RELEASE PER DCN 21982 Mr.B <i>KL</i>	TLS	3/10/16
REV	DESCRIPTION	APP	DATE

THE DESIGN AND DIMENSIONS OF THE PRODUCT SHOWN ON THIS DRAWING ARE SUBJECT TO CHANGE WITHOUT NOTICE. DIMENSIONS ARE IN INCHES [mm].

TITLE
60A & 63A 2 POLE 3 WIRE PIN AND SLEEVE PLUGS

WIRING DEVICE-KELLEMS
HUBBELL INCORPORATED
SHELTON, CT

TOLERANCES UNLESS OTHERWISE SPECIFIED .XX = ± .01 .XXX = ± .005 ANGLE TOL. ±2	DR. BY Mr.B	SCALE 1:2
	CHK. BY TLS	DATE 3/2/16

DIMENSION SHEET FOR CAT. NO. SEE TABLE

B

M-13331

1