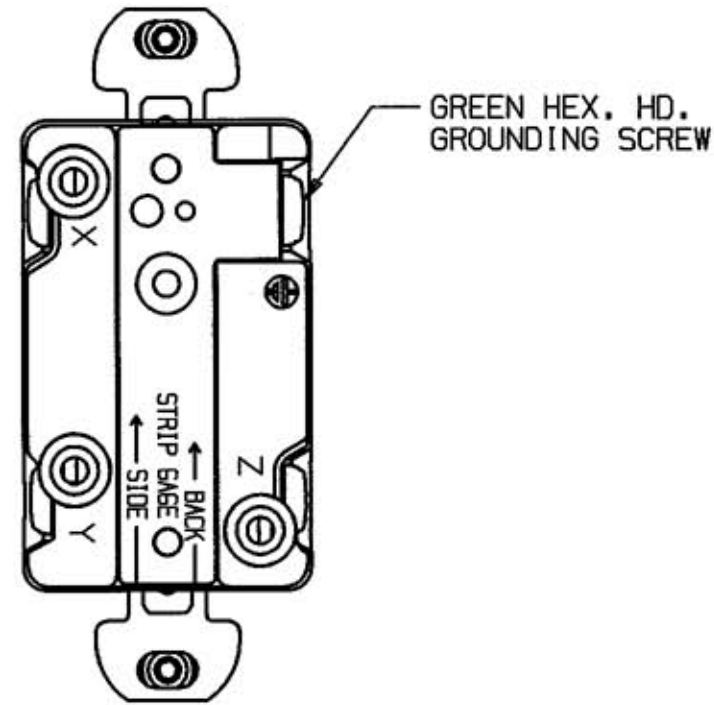
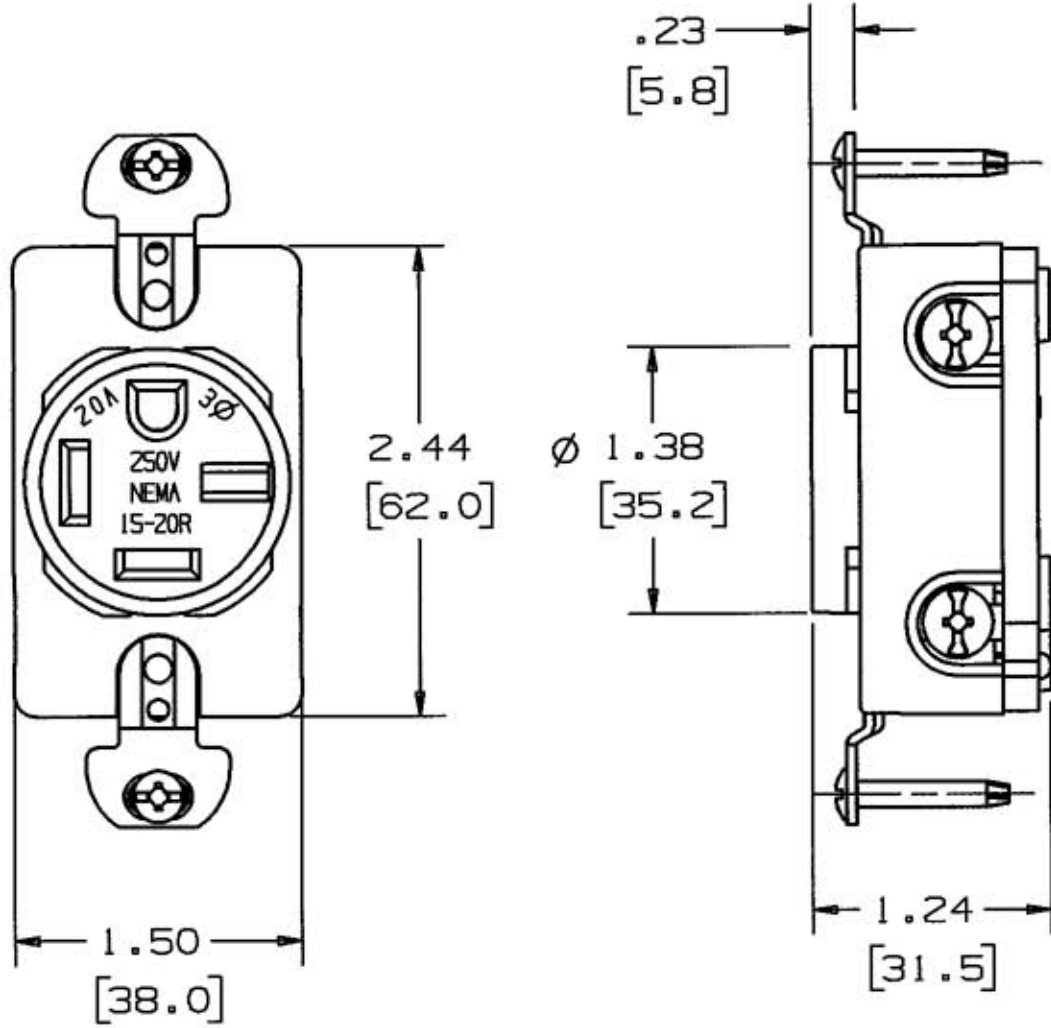


M-8294 3



NOTES:

1. DIMENSION FORMAT IS : INCHES [mm]

LIST OF PARTS

DESCRIPTION	MATERIAL	FINISH
BODY	NYLON	
BASE	POLYESTER	
END PLATE	STEEL	ZINC PLATE
SCREW TERM.	BRASS	BRIGHT DIP
SCREW TERM.	BRASS	NICKEL PLATE
SCREW GRD.	BRASS	GREEN
CONTACT ASSEMBLY	BRASS	
CONTACT ASSEMBLY	BRASS	
CONTACT ASSEMBLY	BRASS	NICKEL PLATE
CONTACT ASSEMBLY GD	BRASS	GROUND
MOUNTING SCREWS	STEEL	ZINC PLATE

SYM	REVISIONS	APP	DATE
3	DUAL DIMENSIONS WERE FRACTIONAL ONLY; ADDED NOTE 1; DRAWING TITLE WAS "RECEPTACLE, GROUNDING, 20A 3Ø 250V 3 POLE 4 WIRE"; PER DCN #8682. JMN	TCM	12/12/01
2	05/30/00 PICTORIAL CHANGES TO SCREWS PER DCN 7154-3 CAC	DJP	
1	10/06/99 NEW RELEASE PER DCN 7154 CAC		

THE DESIGN AND DIMENSIONS OF THE PRODUCT SHOWN ON THIS DRAWING ARE SUBJECT TO CHANGE WITHOUT NOTICE

TITLE RECEPTACLE, NEMA 15-20R

TOLERANCES UNLESS OTHERWISE SPECIFIED	WIRING DEVICE-KELLEMS HUBBELL INCORPORATED BRIDGEPORT, CT	
FRACTIONS ± 1/64	DR. BY CAC	APP. BY
DECIMALS ± .005	TR. BY	SCALE 1:1
ANGLES ± 2°	CHK'D BY	DATE 10/5/99

DIMENSION SHEET FOR CAT. NO. HBL8420 REPAIRABLE NON-REPAIRABLE B M-8294 3