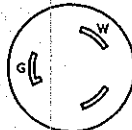
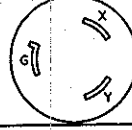

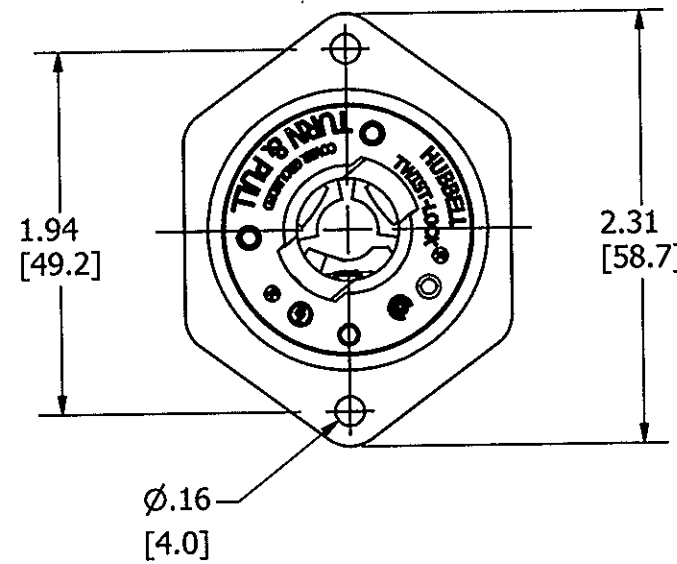
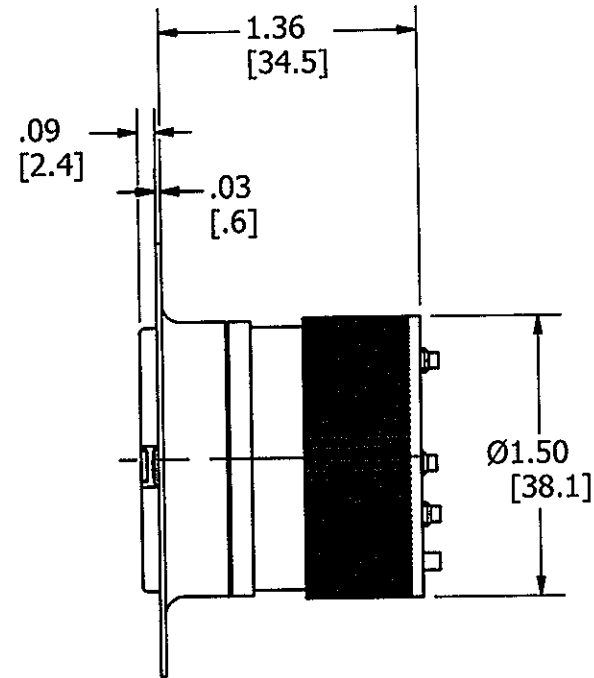
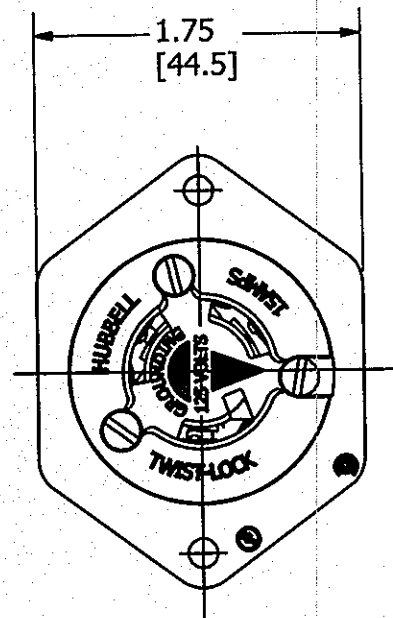


M-13187

1

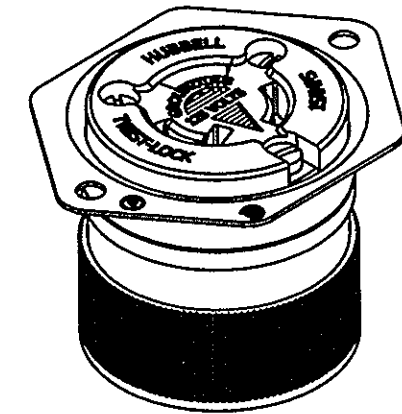
CAT. NO.	CONFIGURATION	RATING	UL	CSA
HBL4715	NEMA L5-15R 	15A 125V	YES	YES
HBL4585	NEMA L6-15R 	15A 250V	YES	YES
HBL4785	NEMA L7-15R 	15A 277VAC	YES	YES



NOTES:

1. DIMENSIONS ARE IN INCHES [mm].

LIST OF PARTS		
DESCRIPTION	MATERIAL	FINISH
BASE	PLENCO	
BODY 15A MOTOR BASE	PLENCO	
GROUNDING SHUNT	BRASS	
CASING	SST	
CONTACT SPRING	BRONZE	
SCREW & WASHER ASSY	BRASS	NICKEL PLATE
MOUNTING SCREWS	BRASS	NICKEL PLATE



**CATALOG NO. HBL4715
(NOT SHOWN TO SCALE)**

1	RELEASED WITH EMBEDDED CAD MODEL PER DCN 21895 SPN	DJP	2/5/16
REV	DESCRIPTION	APP	DATE

THE DESIGN AND DIMENSIONS OF THE PRODUCT SHOWN ON THIS DRAWING ARE SUBJECT TO CHANGE WITHOUT NOTICE

TITLE
**15A 3WIRE GROUNDING TWIST-LOCK®
FLANGED OUTLETS**

TOLERANCES UNLESS OTHERWISE SPECIFIED .XX = ± .01 .XXX = ± .005 ANGLES = ± 2°	WIRING DEVICE-KELLEMS HUBBELL INCORPORATED SHELTON, CT	
	DR. BY BD	APP. BY
	TR. BY	SCALE 1:1
	CHK. BY	DATE 10/26/2015

DIMENSION SHEET FOR CAT. NO. SEE TABLE

REPAIRABLE NON-REPAIRABLE

B

M-13187

1