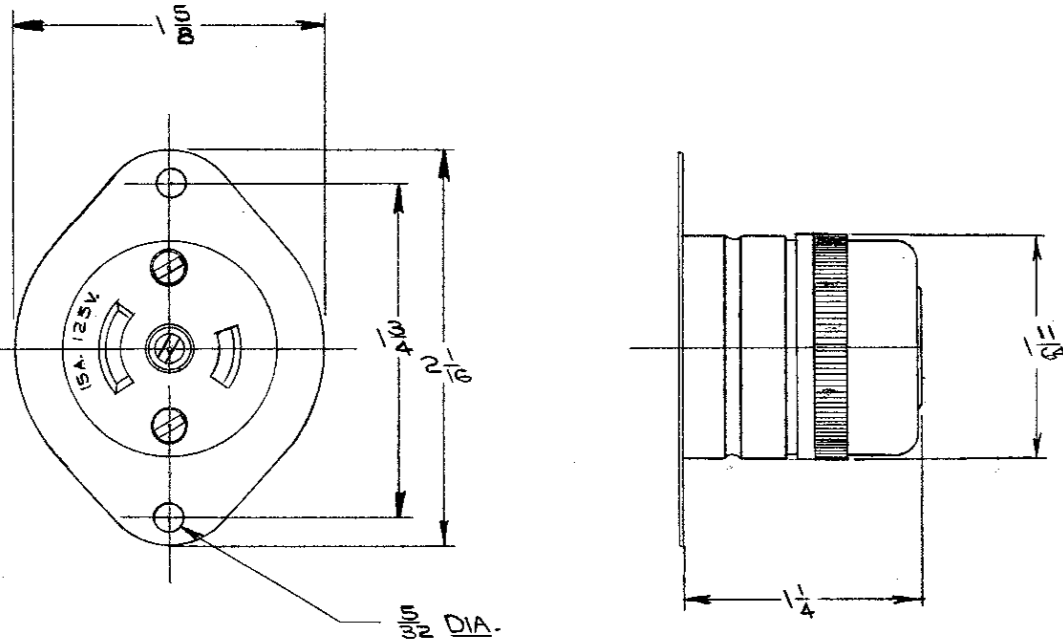


M-3898

LIST OF PARTS

DESCRIPTION	MATERIAL	FINISH
BODY	POLYESTER	BLACK
INSULATING BARRIER	NYLON	BLACK
CASING	.025 BRASS	POL. NICKEL
CONT. SPRING BIND. PL.	.022 BRONZE	1-WHITE
BINDING SCREWS	BRASS	1-WHITE
GROUND CONT. BLADE	BRASS	
TAPPED BUSHING	BRASS	
INSULATORS	.031 NYLON	NATURAL
HEX HD. BIND. SCREW	BRASS	GREEN
CUPPED WASHER	.020 BRASS	
SHUNT	.015 BRASS	
ROUND HEAD SCREWS	STEEL	COPPER PL.
CORD CLAMPS	STEEL	BLACK
ROUND HEAD SCREWS	STEEL	BLACK
BASE	NYLON	BLACK



3 PARTS LIST: BODY MATERIAL POLYESTER WAS PHENOLIC; REMOVED MARKING FROM FRONT VIEW; CAT. NO. HBL7598 WAS 7598 PER DCN 22625 RM DJP 10/2/17

(2) ~~DELETED CORD GRIP, DIM. & NOTE. BODY WAS BAKELITE, CONT. SPRING BIND. PL. WAS .031 BRONZE, INSULATOR WAS REM. FIBRE, CUPPED WASHER WAS .025 BRASS. J.M.T. CB~~ 2-13-92

BASE WAS BAKELITE 9-28-66

REVISIONS DATE

TOLERANCES UNLESS OTHERWISE SPECIFIED

FRACTIONS ± 1/64
DECIMALS ± .005
ANGLES ± 2°

HARVEY HUBBELL, INC.

SHELTON, CONN.

DR. BY RAR APP. BY _____
TR. BY _____ SCALE FULL
CHK'D. BY J.C.H. DATE 5-8-62