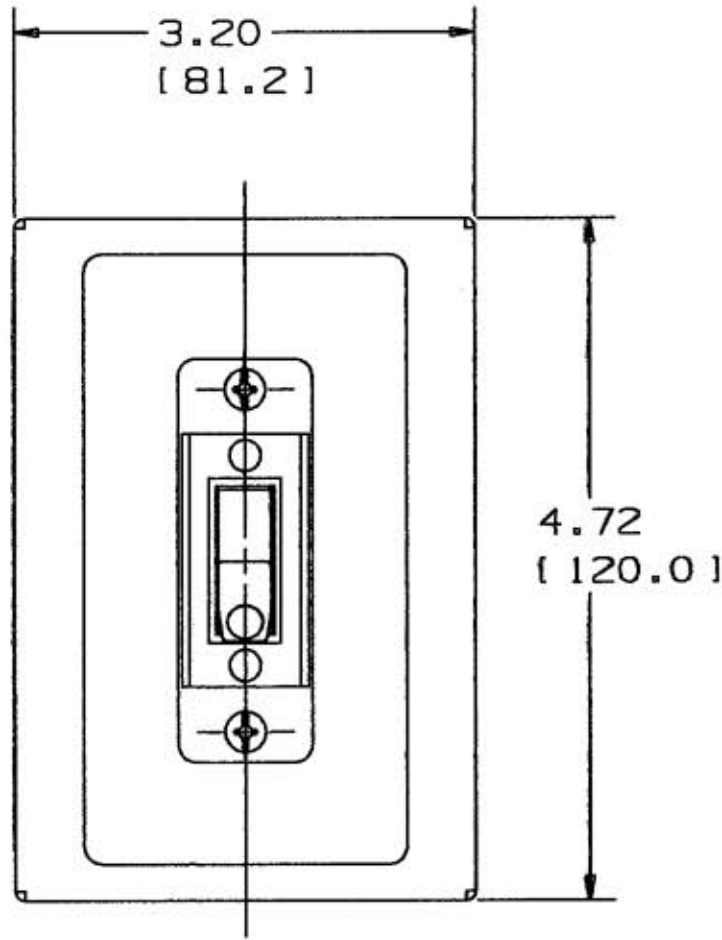
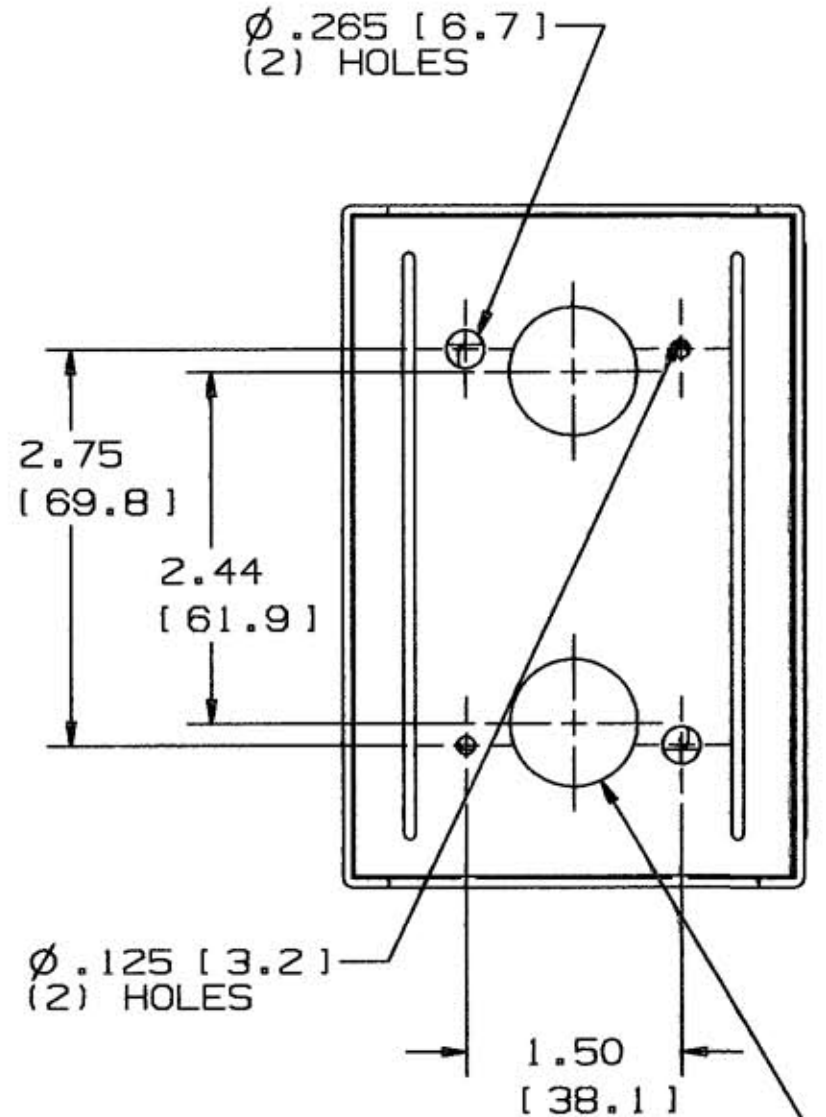
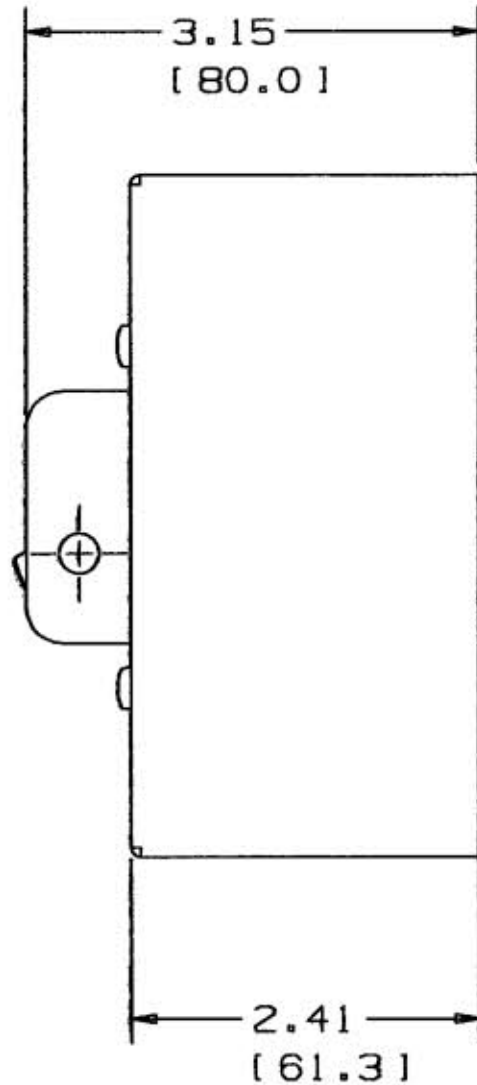


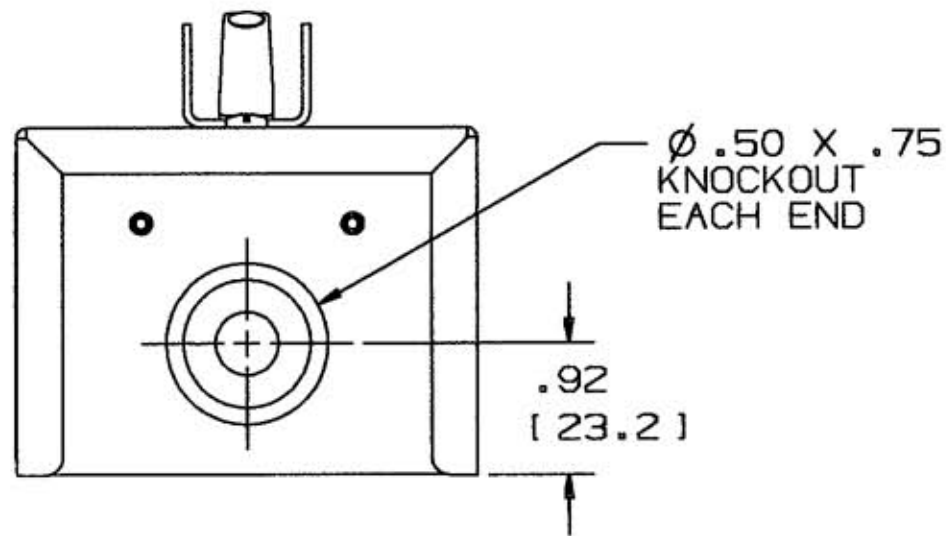
M-9314 1



FRONT VIEW



BACK VIEW



END VIEW

CATALOG NO.	PHASE	GENERAL RATING	H.P. RATINGS				TERM. MAX. CAP. & WIRE INFO.	INSUL. IN.	STRIP MM	TERMINAL TORQUE LB. IN. (Nm)
			120V AC	240V AC	480V AC	600V AC		SIDE WIRE	BACK WIRE	
HBL1372D	1Ø	30A	2	5	10	15	#10 AWG CU ONLY	1-1/4 [32]	5/8 [16]	20 [2.4]
HBL1379D	3Ø	600VAC	3	7.5	15	20				
HBL1370		EMPTY ENCLOSURE TO BE USED WITH HBL7832D OR HBL7810D								

LIST OF PARTS

DESCRIPTION	MATERIAL	FINISH
ENCLOSURE	ALUMINUM	
SW BASE & COVER	THERMOSET	BLACK
SW HANDLE	THERMOPLASTIC	BLACK
BRIDGE	STEEL	ZINC
TERMINALS	COPPER ALLOY	
BACK PLATE	COPPER ALLOY	
SCREWS	COPPER ALLOY	
RIVETS	STEEL	ZINC

DIMENSION SHEET FOR CAT. NO.

SEE CHART

REPAIRABLE NON-REPAIRABLE

B

M-9314

1

1 DCN11626 INITIAL RELEASE SM 4-14-04
SYM REVISIONS APP DATE

THE DESIGN AND DIMENSIONS OF THE PRODUCT SHOWN ON THIS DRAWING ARE SUBJECT TO CHANGE WITHOUT NOTICE

TITLE NEMA 1 ENCLOSURE
TGL. MOTOR DISC.
HUBBELL CUSTOMER DRAWING

TOLERANCES UNLESS OTHERWISE SPECIFIED
FRACTIONS ± 1/64
DECIMALS ± .005
ANGLES ± 2°

WIRING DEVICE-KELLEMS
HUBBELL INCORPORATED
BRIDGEPORT, CT

DR. BY PAC APP. BY SM
TR. BY SCALE NONE
CHK'D BY SM DATE 3-18-04