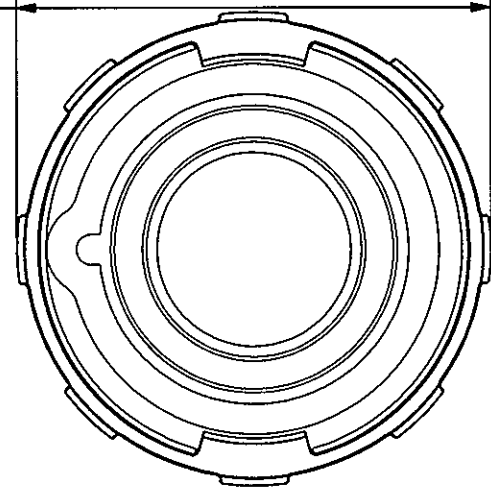


M-13335

1

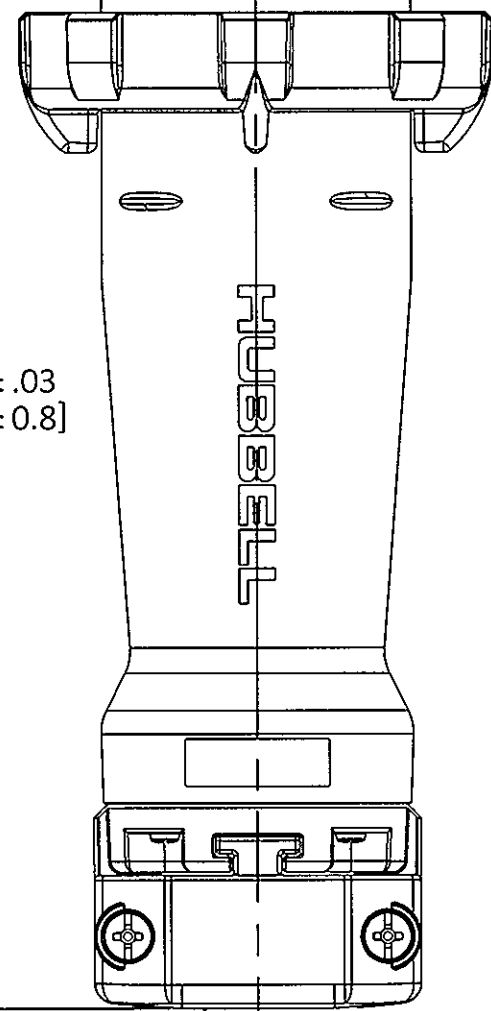
4.92
[125.0]



Ø.38
[Ø9.7] (INTERIOR NOT SHOWN) 3.21
[81.5]

.44
[11.2] 1.13
[28.7]

12.63 ± .03
[320.7 ± 0.8]

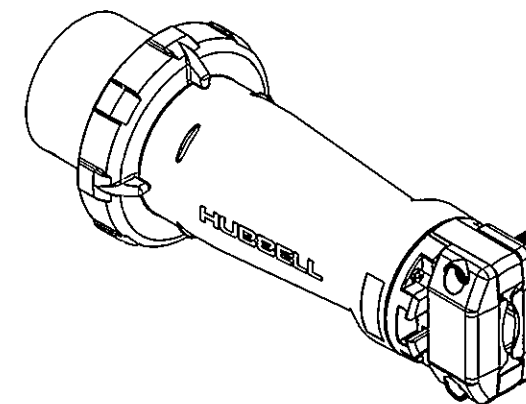


CABLE DIA:
1.065 MIN
[30.48MM]

1.780 MAX
[45.21MM]

LIST OF PARTS

DESCRIPTION	MATERIAL	FINISH
HOUSING	PBT	
GASKET	RUBBER	
LOCKING RING	PBT	
INTERIOR	THERMOSET	
PINS	BRASS	
TERM. SCREWS	ST. STEEL	
GLAND CAP	PBT	
GLANDS	RUBBER	
CLAMPS	PBT	
CLAMP NUTS	BRASS	NICKEL
ASSY SCREWS	ST. STEEL	



1	INITIAL RELEASE PER DCN 21982 Mr. B	TLS	3/10/16
REV	DESCRIPTION	APP	DATE

THE DESIGN AND DIMENSIONS OF THE PRODUCT SHOWN ON THIS DRAWING ARE SUBJECT TO CHANGE WITHOUT NOTICE. DIMENSIONS ARE IN INCHES [mm].

TITLE
100A & 125A 3 POLE 4 WIRE PIN AND SLEEVE PLUGS



WIRING DEVICE-KELLEMS
HUBBELL INCORPORATED
SHELTON, CT

DR. BY	Mr. B	SCALE	1:2
CHK. BY	TLS	DATE	3/2/16

TOLERANCES UNLESS OTHERWISE SPECIFIED
.XX = .01
.XXX = .005
ANGLE TOL. ±2

CAT. NO.	CONFIG.	RATING	HOUSING COLOR	PILOT
HBL4100P5W		100A 600VAC 3Ø	BLACK	NO
HBL4100P5WP		100A 600VAC 3Ø	BLACK	YES
HBL4100P5WR		100A 600VAC 3Ø	BLACK	NO
HBL4100P6W		100A 380-415VAC 3Ø 125A - 6h/380-415V~	RED	NO
HBL4100P6WP		100A 380-415VAC 3Ø 125A - 6h/380-415V~	RED	YES
HBL4100P7W		100A 480VAC 3Ø	RED	NO
HBL4100P7WP		100A 480VAC 3Ø	RED	YES
HBL4100P7WR		100A 480VAC 3Ø	RED	NO
HBL4100P9W		100A 250VAC 3Ø 125A - 9h/200-250V~	BLUE	NO
HBL4100P9WP		100A 250VAC 3Ø 125A - 9h/200-250V~	BLUE	YES
HBL4100P9V01		100A 250VAC 3Ø 125A - 9h/200-250V~	BLUE	NO
HBL4100P9WR		100A 250VAC 3Ø	BLUE	NO
HBL4100P12W		100A 125/250VAC	ORANGE	NO
HBL4100P12WP		100A 125/250VAC	ORANGE	YES
HBL4100P12WR		100A 125/250VAC	ORANGE	NO

DIMENSION SHEET FOR CAT. NO. SEE TABLE

B

M-13335

1