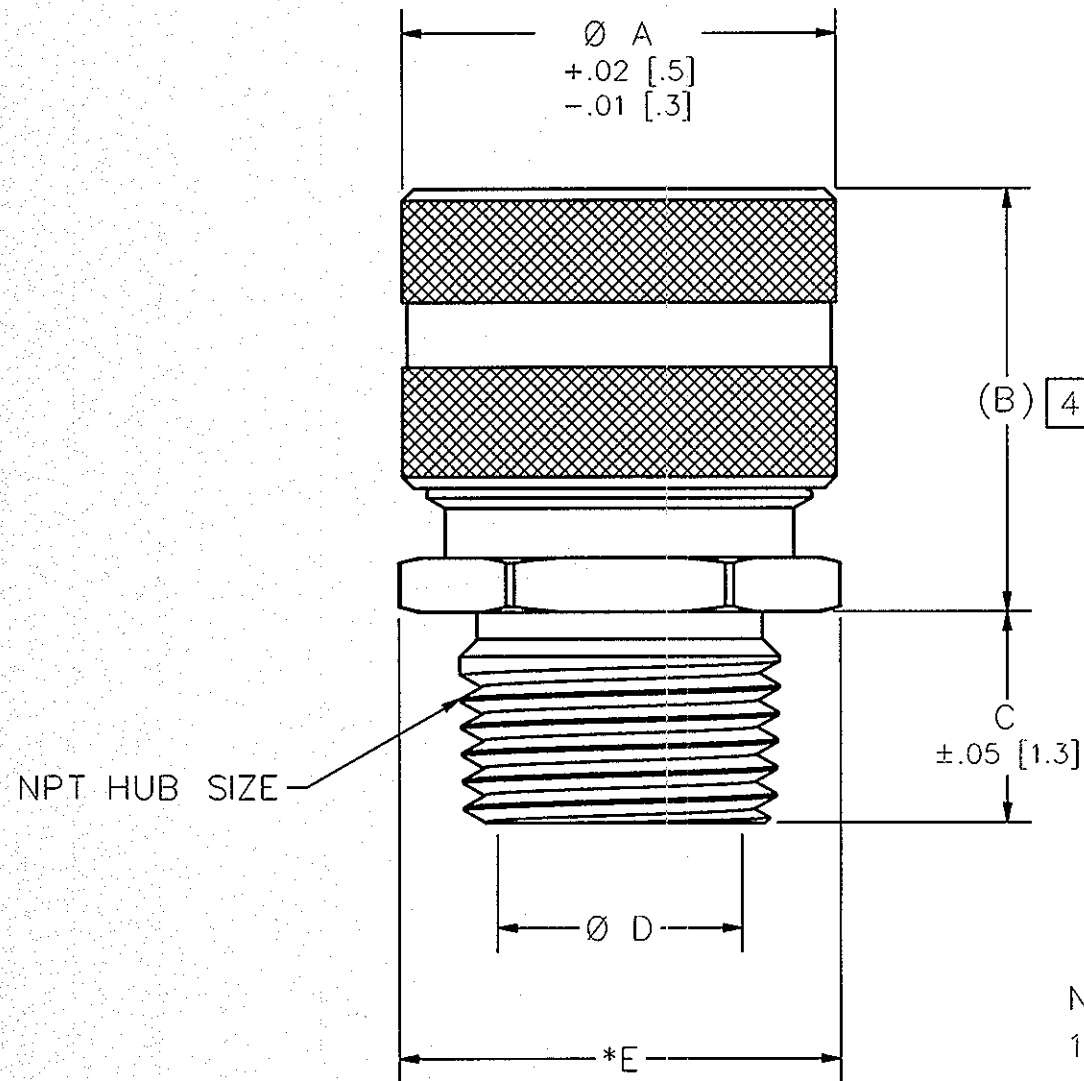


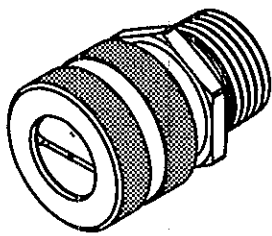
M-12914

1

CATALOG NUMBER	BODY COLOR	GOTCHA RING COLOR CODE	NPT HUB SIZE	CORD DIA. RANGE	Ø A (OVERALL)	(B) <span style="border: 1px solid black;">4</span>	C	Ø D (THROAT DIA.)	*E ACROSS CORNERS	*E ACROSS FLATS
SHC1019	ALUMINUM	GREEN	1/2"	.06-.13 [1.6-3.2]	1.13 [28.7]	1.10 [27.9]	.55 [14.0]	.64 [16.3]	1.11 [28.2]	1.00 [25.4]
SHC1020	ALUMINUM	ORANGE	1/2"	.13-.19 [3.2-4.7]	1.13 [28.7]	1.10 [27.9]	.55 [14.0]	.64 [16.3]	1.11 [28.2]	1.00 [25.4]
SHC1021	ALUMINUM	RED	1/2"	.19-.25 [4.7-6.3]	1.13 [28.7]	1.10 [27.9]	.55 [14.0]	.64 [16.3]	1.11 [28.2]	1.00 [25.4]
SHC1022	ALUMINUM	WHITE	1/2"	.25-.38 [6.3-9.7]	1.13 [28.7]	1.10 [27.9]	.55 [14.0]	.64 [16.3]	1.11 [28.2]	1.00 [25.4]
SHC1023	ALUMINUM	BLUE	1/2"	.38-.50 [9.7-12.7]	1.13 [28.7]	1.10 [27.9]	.55 [14.0]	.64 [16.3]	1.11 [28.2]	1.00 [25.4]
SHC1024	ALUMINUM	BROWN	1/2"	.50-.63 [12.7-15.9]	1.13 [28.7]	1.10 [27.9]	.55 [14.0]	.64 [16.3]	1.11 [28.2]	1.00 [25.4]
SHC1029	ALUMINUM	GREEN	3/4"	.06-.13 [1.6-3.2]	1.13 [28.7]	1.10 [27.9]	.55 [14.0]	.64 [16.3]	1.29 [32.8]	1.13 [28.7]
SHC1030	ALUMINUM	ORANGE	3/4"	.13-.19 [3.2-4.7]	1.13 [28.7]	1.10 [27.9]	.55 [14.0]	.64 [16.3]	1.29 [32.8]	1.13 [28.7]
SHC1031	ALUMINUM	RED	3/4"	.19-.25 [4.7-6.3]	1.13 [28.7]	1.10 [27.9]	.55 [14.0]	.64 [16.3]	1.29 [32.8]	1.13 [28.7]
SHC1032	ALUMINUM	WHITE	3/4"	.25-.38 [6.3-9.7]	1.13 [28.7]	1.10 [27.9]	.55 [14.0]	.64 [16.3]	1.29 [32.8]	1.13 [28.7]
SHC1033	ALUMINUM	BLUE	3/4"	.38-.50 [9.7-12.7]	1.13 [28.7]	1.10 [27.9]	.55 [14.0]	.64 [16.3]	1.29 [32.8]	1.13 [28.7]
SHC1034	ALUMINUM	BROWN	3/4"	.50-.63 [12.7-15.9]	1.13 [28.7]	1.10 [27.9]	.55 [14.0]	.64 [16.3]	1.29 [32.8]	1.13 [28.7]



- NOTES:
- DIMENSIONS ARE IN INCHES [MM].
  - LOCKNUT PURCHASED SEPARATELY.
  - BUSHING COATED WITH AMBER PETROLEUM JELLY.
  - 4 REFERENCE ONLY, DIMENSION MAY VARY.



CATALOG NO. SHC1019  
(NOT SHOWN TO SCALE)

LIST OF PARTS		
DESCRIPTION	MATERIAL	FINISH
CORD CONNECTOR BODY STR. MALE	ALUMINUM	
BUSHING	BLACK NEOPRENE	SEE NOTE 3
GOTCHA RING NUT	NYLON	SEE TABLE
	ALUMINUM	

1	INITIAL RELEASE PER DCN 21189	DDL	05/06/15
REV	DESCRIPTION	APP	DATE

THE DESIGN AND DIMENSIONS OF THE PRODUCT SHOWN ON THIS DRAWING ARE SUBJECT TO CHANGE WITHOUT NOTICE

TITLE  
STRAIGHT ALUMINUM CORD CONNECTOR FORM 2

TOLERANCES UNLESS OTHERWISE SPECIFIED .XX = ± .01 .XXX = ± .005 ANGLES = ± 2°	WIRING DEVICE-KELLEMS HUBBELL INCORPORATED SHELTON, CT		
	DR. BY	SR	APP. BY
	TR. BY		SCALE 2:1
	CHK. BY	DDL	DATE 05/06/15