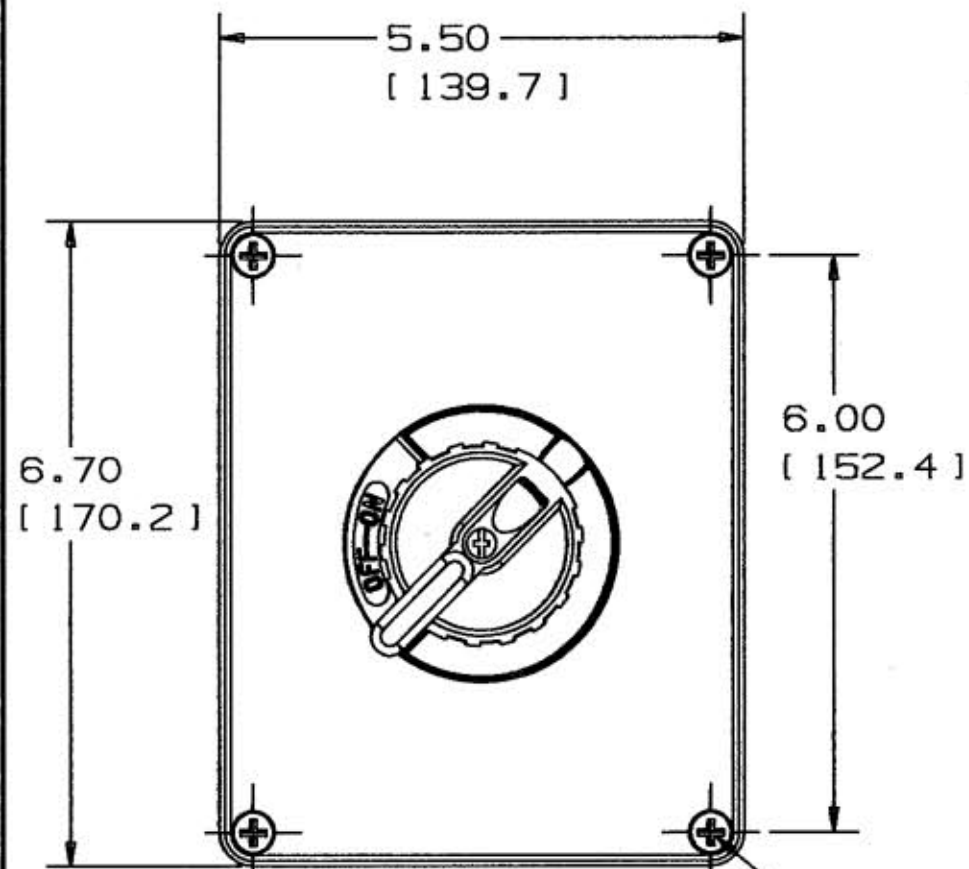
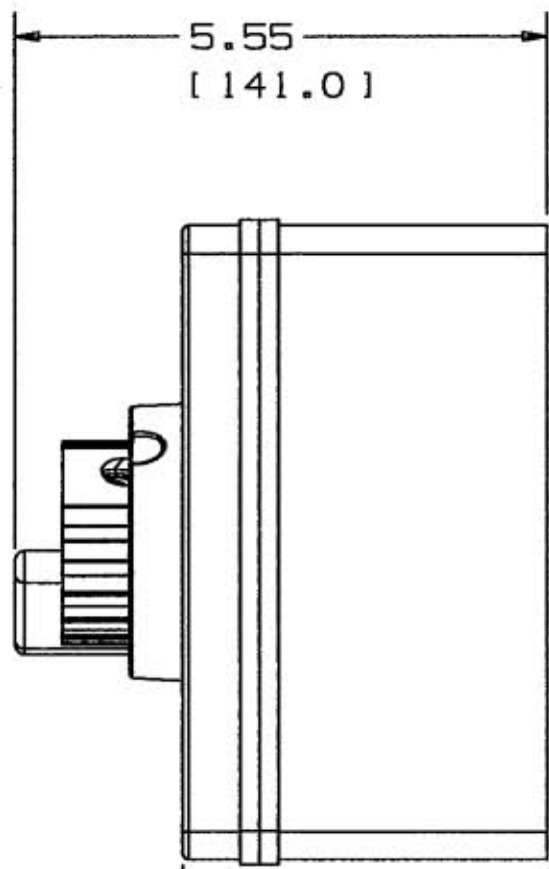


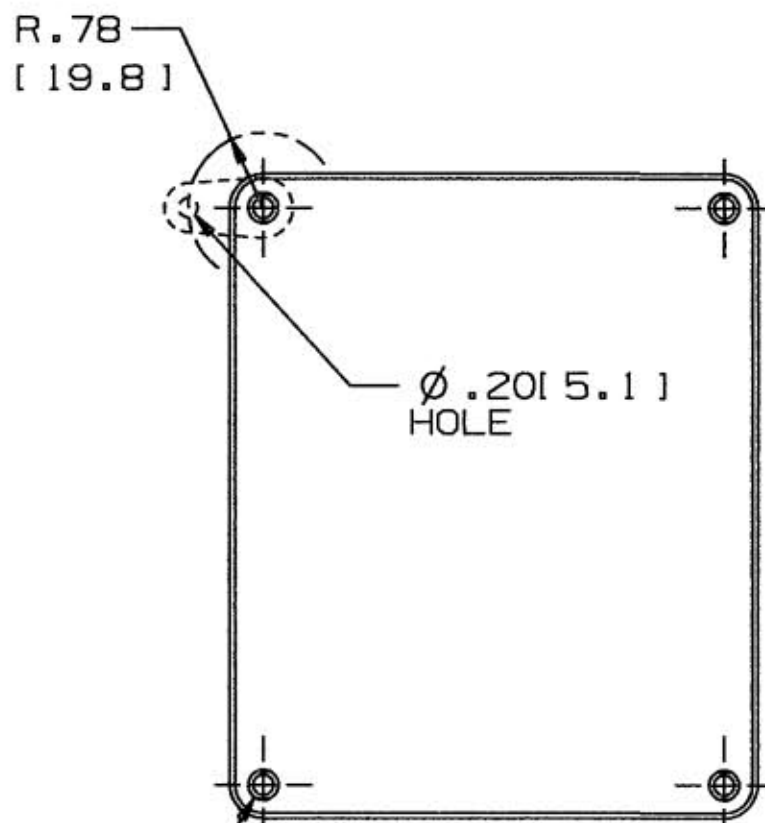
M-9319 1



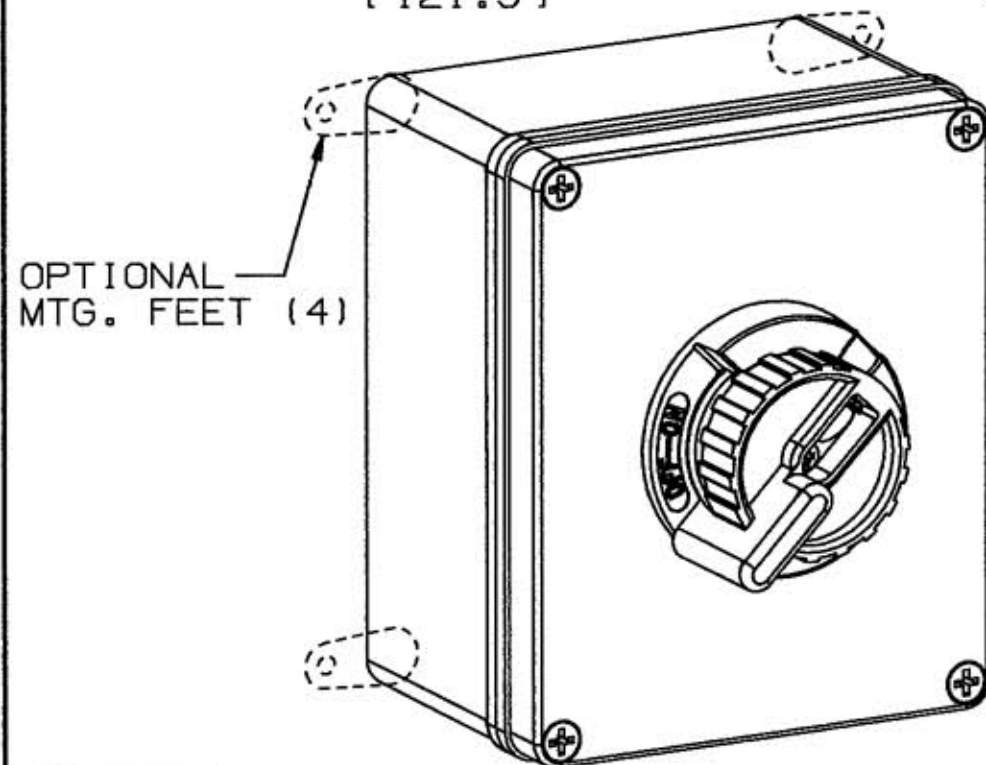
FRONT VIEW



SIDE VIEW



BACK VIEW



OPTIONAL MTG. FEET (4)

COVER MOUNTING HOLES ARE ALSO ENCLOSURE MOUNTING HOLES.

TORQUE 5 TO 15 LB.IN.

DIMENSIONS IN INCHES [MM].

CATALOG NO.	PHASE	GENERAL RATING	H.P. RATINGS				TERM. MAX. CAP. & WIRE INFO.	INSUL. STRIP IN. [MM]	TERMINAL TORQUE LB. IN. [Nm]
			120V AC	240V AC	480V AC	600V AC			
HBL13X33D	3 $\phi$	30A 600VAC	3	7.5	15	20	#10 AWG CU ONLY	5/8 [16]	20 [2.4]

LIST OF PARTS

DESCRIPTION	MATERIAL	FINISH
ENCLOSURE	THERMOPLASTIC	GRAY
ENCLOSURE HANDLE	THERMOPLASTIC	YELLOW
ENCL. ON-OFF RING	THERMOPLASTIC	RED
SW MTG. BRACKET	STEEL	GALVANIZED
SW BASE & COVER	THERMOSET	BLACK
SW BRIDGE	STEEL	GALVANIZED
SW TERMINAL	COPPER ALLOY	
SW BACK WIRE PLATE	COPPER ALLOY	
SW TERMINAL SCREW	COPPER ALLOY	
SW AUX. CONT. PLATE	THERMOPLASTIC	YELLOW

DIMENSION SHEET FOR CAT. NO.

SEE CHART

REPAIRABLE

NON-REPAIRABLE

B

M-9319

1

1	DCN11626 INITIAL RELEASE	APP	4-14-04
SYM	REVISIONS	APP	DATE

THE DESIGN AND DIMENSIONS OF THE PRODUCT SHOWN ON THIS DRAWING ARE SUBJECT TO CHANGE WITHOUT NOTICE

TITLE 30A/40A NEMA 4X  
PLASTIC ENCL. ROT. DISC.  
HUBBELL CUSTOMER DRAWING

TOLERANCES UNLESS OTHERWISE SPECIFIED  
FRACTIONS ±1/64  
DECIMALS ±.005  
ANGLES ±2'

WIRING DEVICE-KELLEMS  
HUBBELL INCORPORATED  
BRIDGEPORT, CT

DR. BY	PAC	APP. BY
TR. BY		SCALE NONE
CHK'D BY		DATE 3-23-04