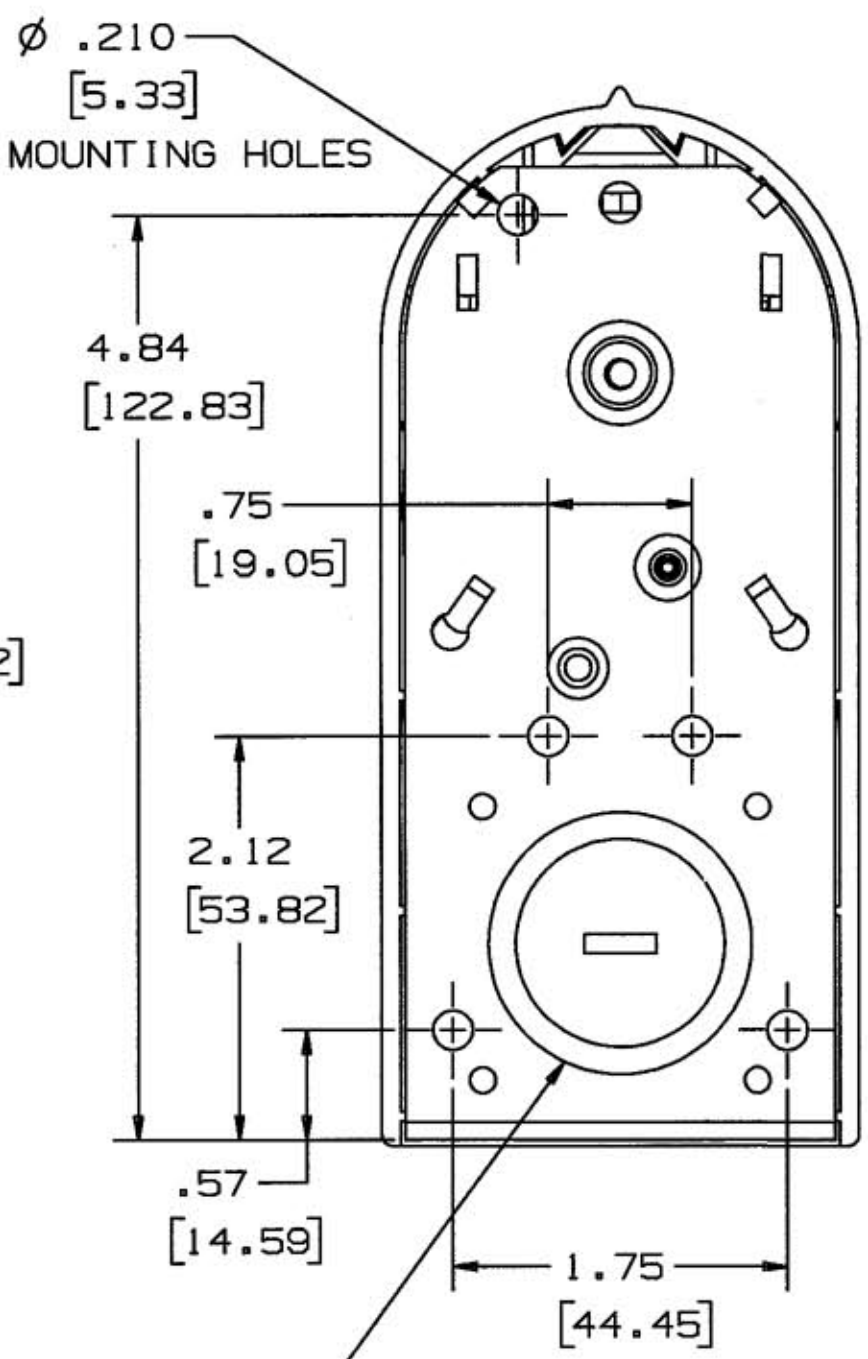
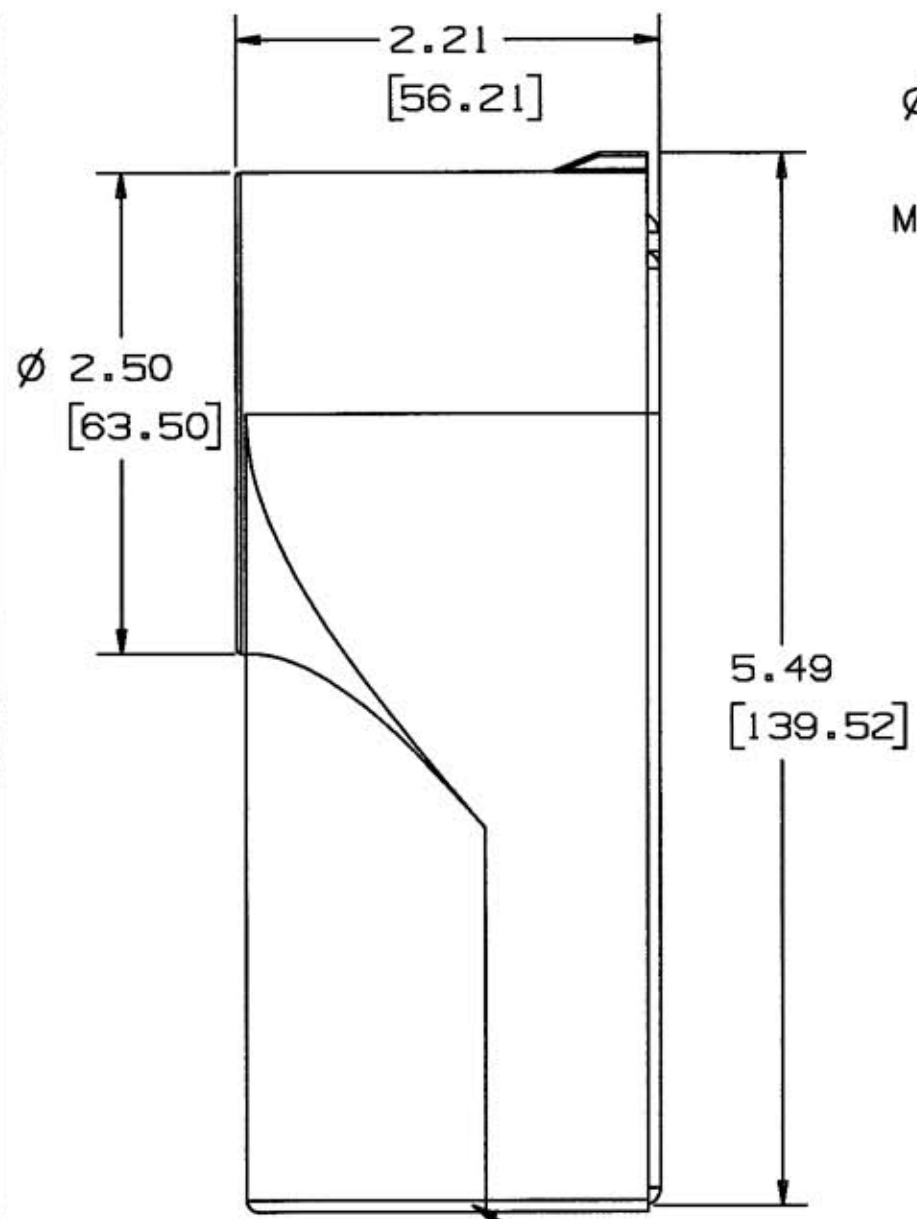
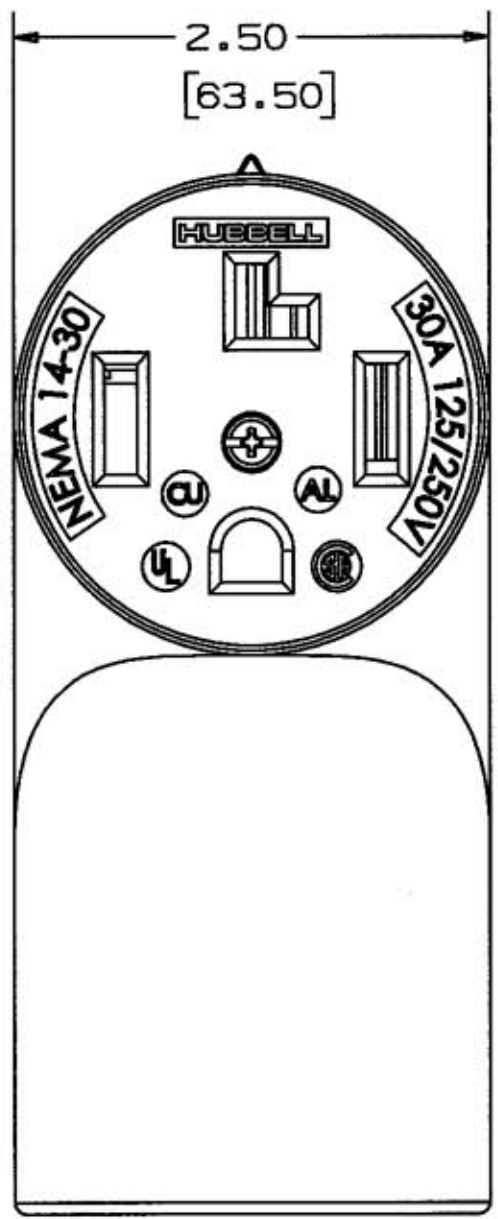


M-9916 1



LIST OF PARTS		
DESCRIPTION	MATERIAL	FINISH
WIRE BASE PLATE	STEEL	ZINC
CORD CLAMPS	STEEL	ZINC
CONTACT BLADES	BRASS	
CONTACT SPRING 30A	BRASS	
CONTACT BASE	PLASTIC	
COVER	PLASTIC	
SCREWS	STEEL	ZINC

DIMENSION SHEET FOR CAT. NO. RR430

REPAIRABLE NON-REPAIRABLE

B

M-9916

1

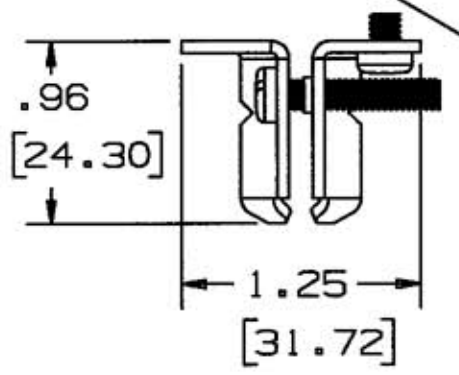
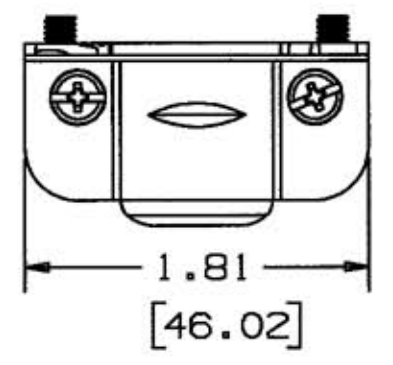
1	RELEASED PER DCN# 13429	11/27/08
SYM	REVISIONS	APP DATE

THE DESIGN AND DIMENSIONS OF THE PRODUCT SHOWN ON THIS DRAWING ARE SUBJECT TO CHANGE WITHOUT NOTICE

TITLE
SURFACE MOUNT RECEPTACLE
NEMA 14-30R

TOLERANCES UNLESS OTHERWISE SPECIFIED FRACTIONS ± 1/84 DECIMALS ± .005 ANGLES ± 2°	WIRING DEVICE-KELLEMS HUBBELL INCORPORATED BRIDGEPORT, CT.	
	DR. BY MPF	APP. BY [Signature]
	TR. BY [Signature]	SCALE 1/1
	CHK'D BY [Signature]	DATE 10/3/05

— KNOCKOUTS FOR 3/4" AND 1" CONDUIT IN BOTTOM AND BACK



NOTES: (NOTES UNLESS OTHERWISE SPECIFIED)

1. AWG CAPACITY: #4-#10
2. FOR USE WITH ALUMINUM AND COPPER WIRE SOLID OR STRANDED
3. DIMENSIONS ARE IN INCHES (MM).