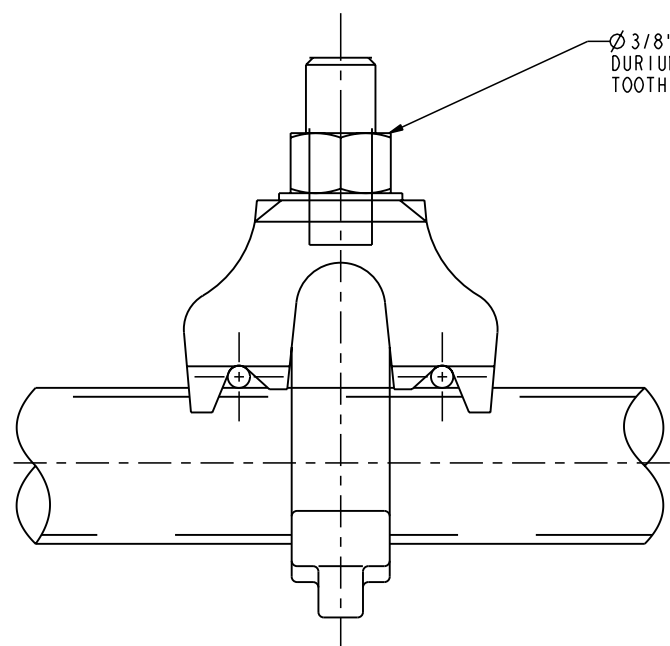
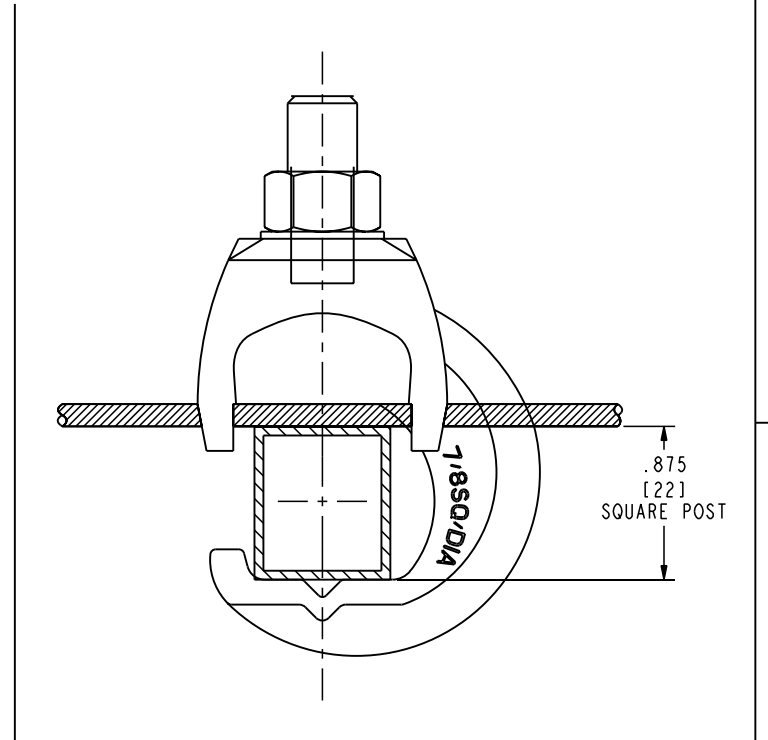
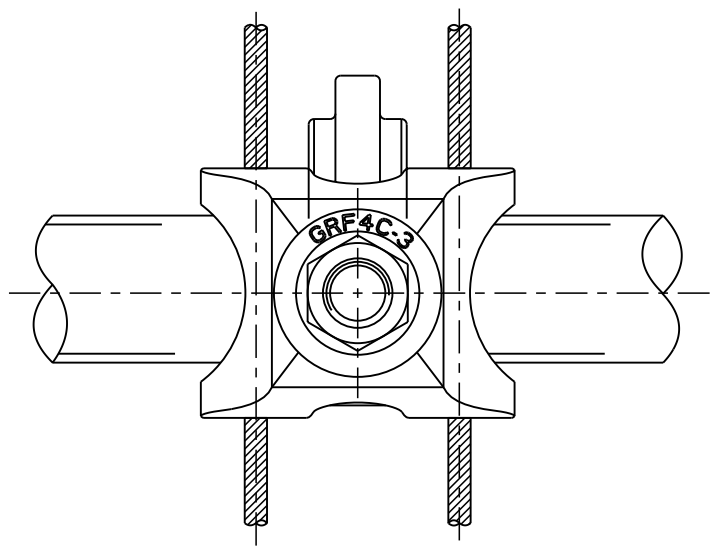


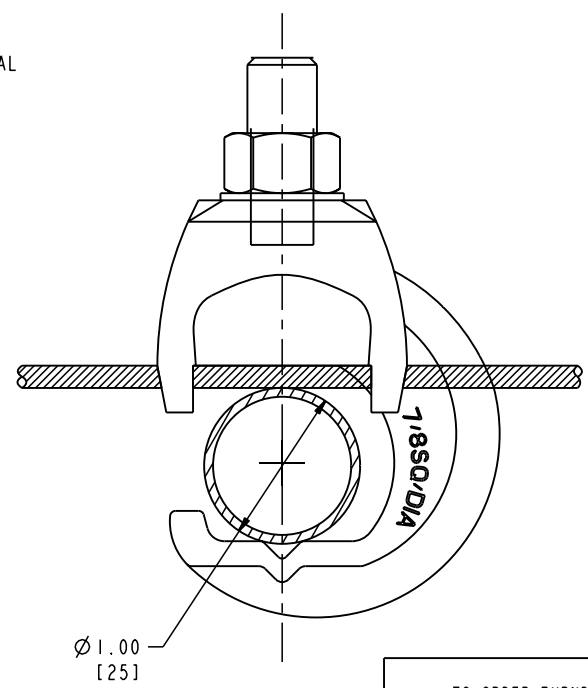
DRAWING NO.
SD201716-01

| CONDUCTOR ACCOMMODATED | | POSTS ACCOMMODATED | CATALOG NUMBER | TORQUE | |
|--|--|---|----------------|--------|------|
| AWG | METRIC WIRE SIZE | | | Lb*in | N*m |
| 8 STR (.146) OR 8 SOL (.128) - 2 STR (.292) OR 2 SOL (.258) | 10mm ² STR [4.12] OR 10mm ² SOL [3.58] -35mm ² STR [7.62] | .875in [22] SQUARE OR 1.00in [25] ROUND POST | GRF4C-3 | 240 | 27.0 |

| REV | DATE | DESCRIPTION | ECO | BY | C'H'K. |
|-----|----------------------|---------------------------|-------|----|--------|
| A | 3/4/2008 12:00:00 AM | 1" x 1" 1/4" RISE PROJECT | 15065 | MA | PL |



Ø 3/8" - 16 UNC HEX. HD.
DURIUM BOLTS AND EXTERNAL
TOOTH LOCKWASHERS



Ø 1.00
[25]

REFERENCE: CSC31249

- NOTES:
- MATERIAL: CAST COPPER ALLOY.
 - U.L. 467 LISTED, FILE NO. E9999.
 - DIMENSIONS IN BRACKETS [] ARE IN MILLIMETERS ROUNDED OFF TO THE NEAREST MILLIMETER, UNLESS OTHERWISE NOTED, AND ARE FOR REFERENCE ONLY.

| | | | |
|---|--|------------------------------|--------------|
| TO ORDER BURNDY® PRODUCTS CALL | | RAISED FLOOR GROUNDING CLAMP | |
| UNITED STATES 1-800-346-4175 (LONDONDERRY, NH) | | ITEM NO: N/A | |
| CANADA: 1-800-361-6975 (QUEBEC) 1-800-387-6487 (ALL OTHER PROVINCES) | | CAT. NO: GRF4C3 | |
| FOR PRODUCT INFO: http://www.burndy.com | | DRAWN BY: DAN D 04/26/89 | SCALE: 2:1 |
| | | CHECKER: KH 04/26/89 | DRAWING NO |
| | | DSN APPVL: GJG 04/26/89 | SD201716-01 |
| | | MFG APPVL: MJB 04/26/89 | SHEET 1 OF 1 |
| | | QA APPVL: A LLOYD 12/03/93 | REV |
| | | MKT APPVL: K WOOD 11/11/93 | A |
| | | PROJ #: -- | |
| | | DOCUMENT TYPE: Sales | |
| | | REL LEVEL: Released | |

REV: PE0200