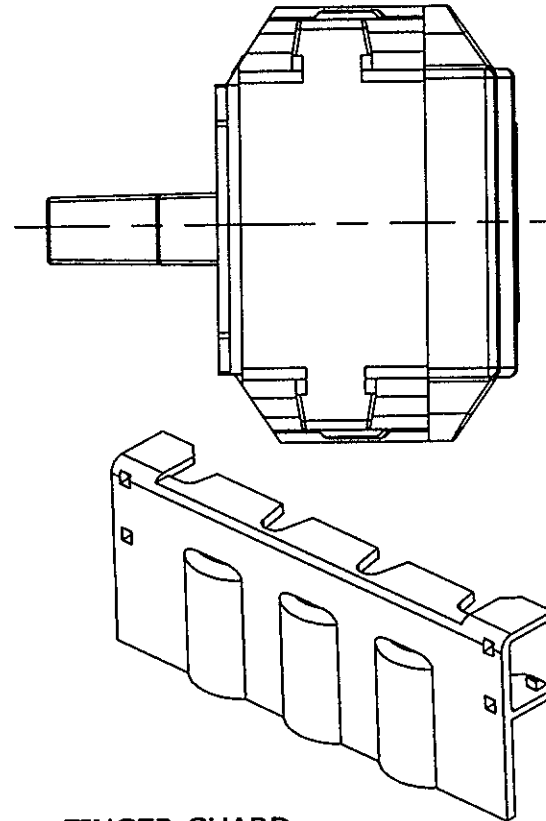
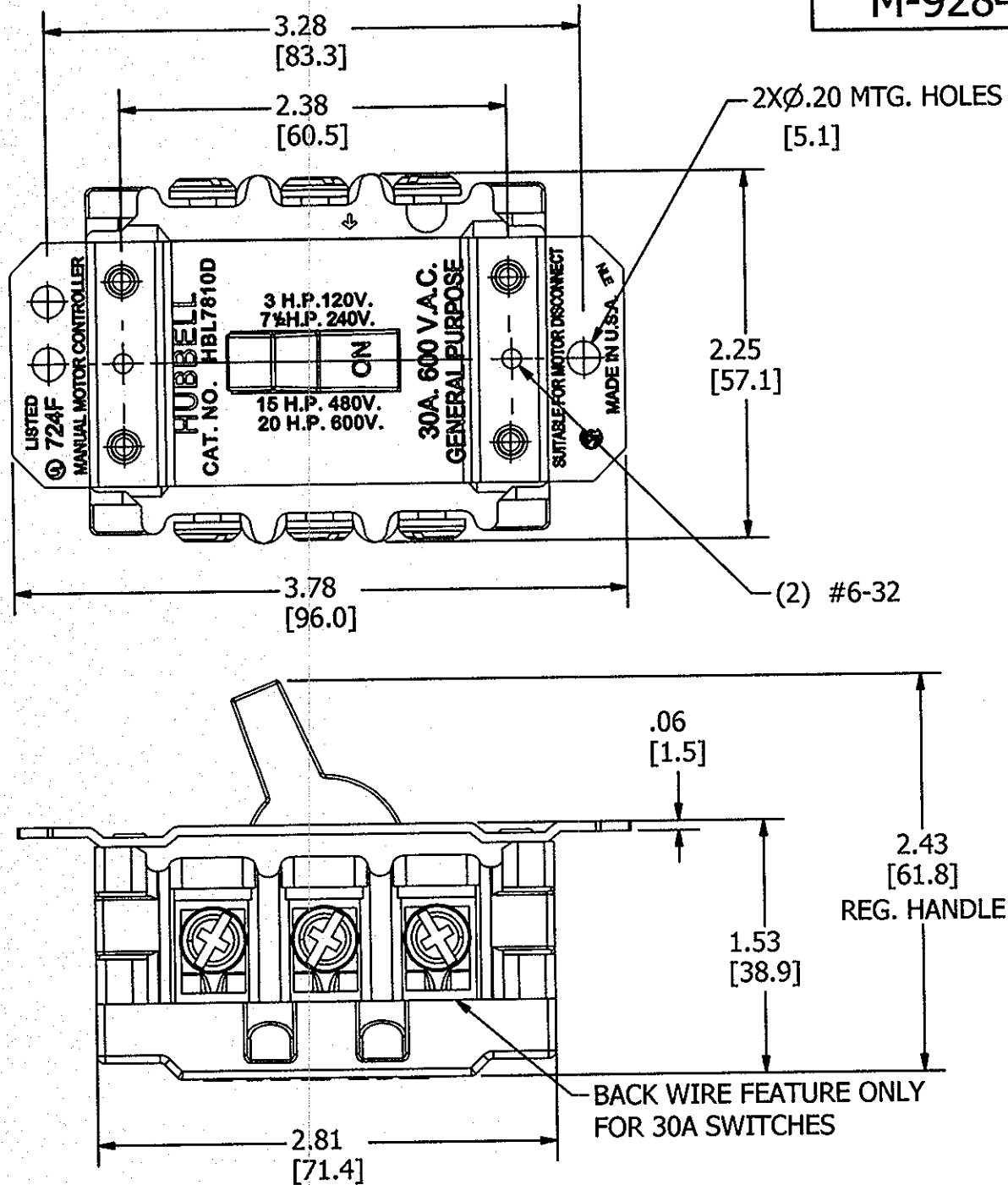


M-9284

3



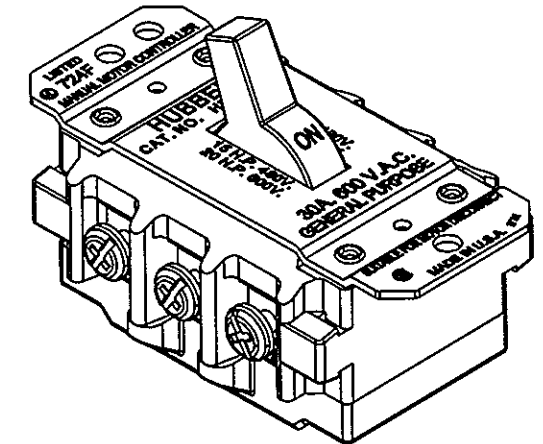
FINGER GUARD  
OPTIONAL KIT, CAT. #FGK30

- NOTES:  
1. DIMENSIONS IN IN. [mm].  
2. 3 POLE SWITCH SHOWN.  
3 HBL7810DW IS PROVIDED WITH WHITE HANDLE.

CATALOG NO.	PHASE	GENERAL RATING	H.P. RATINGS				TERM, MAX. CAP. & WIRE INFO.	INSUL. STRIP IN. [mm]		TERMINAL TORQUE LB. IN. [Nm]
			120V AC	240V AC	480V AC	60V AC		SIDE WIRE	BACK WIRE	
			2	5	10	15				
HBL7832D		30A 600VAC	2	5	10	15	#10 AWG CU ONLY	1-1/4 [32]	5/8 [16]	20 [2.4]
HBL7832DS	1 Ø		2	5	10	15				
HBL7810D	3 Ø		3	7.5	15	20				
HBL7810DW	3 Ø		3	7.5	15	20				
HBL7810DS	3 Ø		3	7.5	15	20				
HBL7842D	1 Ø	40A 600VAC	2	5	10	15	#8 AWG 60° CMN CU ONLY WITH LISTED RING TERMINAL	1/2 [12]		
HBL7843D	3 Ø		3	7.5	15	20				
HBL7852D	1 Ø	50A 600VAC	2	5	10	15	#8 AWG 75° CMN CU ONLY WITH LISTED RING TERMINAL	1/2 [12]		
HBL7853D	3 Ø		3	7.5	15	25				

LIST OF PARTS

DESCRIPTION	MATERIAL	FINISH
BASE & COVER	THERMOSET	BLACK
HANDLE	THERMOPLASTIC	BLACK
BRIDGE	PLATED STEEL	ZINC
TERMINAL	COPPER ALLOY	
BACK PLATE	COPPER ALLOY	
SCREWS	COPPER ALLOY	
RIVETS	STEEL	ZINC



CATALOG NO. HBL7810D  
(NOT SHOWN TO SCALE)

3	REDRAWN WITH EMBEDDED CAD MODEL WITH NO CHANGES TO PART GEOMETRY. PER DCN 21895 SPN	DJP	2/17/16
REV	DESCRIPTION	APP	DATE

THE DESIGN AND DIMENSIONS OF THE PRODUCT SHOWN ON THIS DRAWING ARE SUBJECT TO CHANGE WITHOUT NOTICE

TITLE  
CUSTOMER DRAWING  
30, 40, 50A HUBBELL MOTOR DISCONNECT TGL. SW.

TOLERANCES UNLESS OTHERWISE SPECIFIED  .XX = ± .01 .XXX = ± .005 ANGLES = ± 2°	WIRING DEVICE-KELLEMS HUBBELL INCORPORATED SHELTON, CT		
	DR. BY	PAC	APP. BY
	TR. BY		SCALE 1:1
	CHK. BY		DATE 2-3-04

DIMENSION SHEET FOR CAT. NO. SEE TABLE

REPAIRABLE  NON-REPAIRABLE  B

M-9284

3