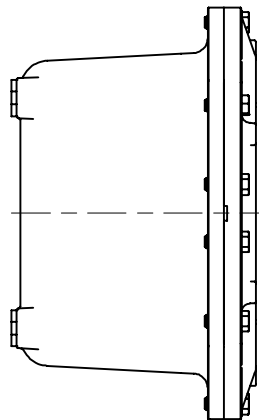
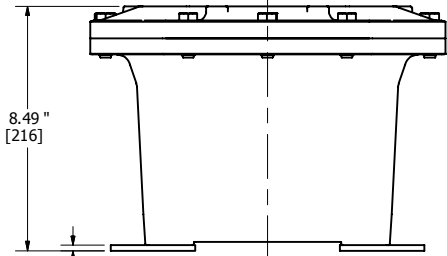
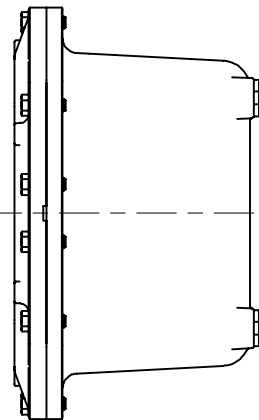
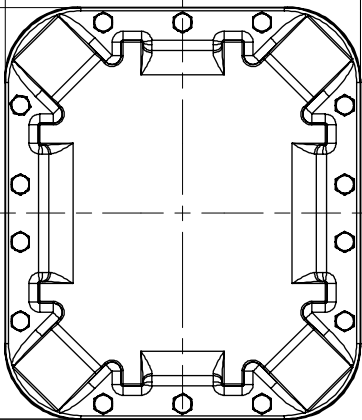


12.31" [313]
6.16" [156]



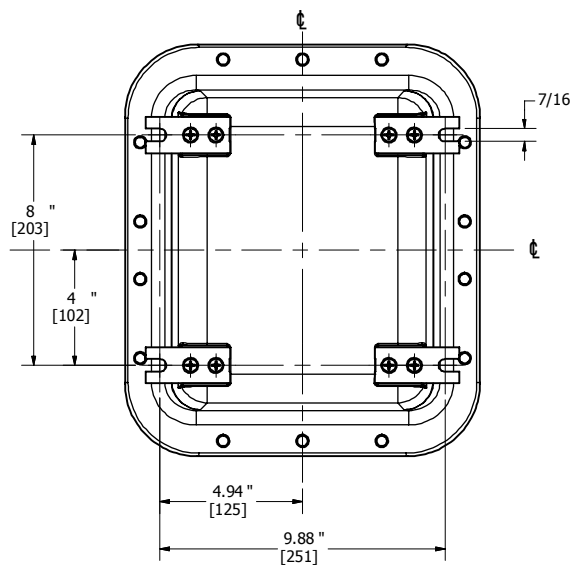
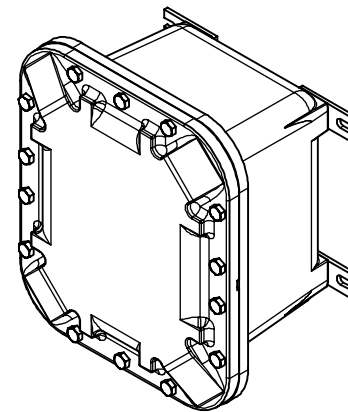
14.31" [364]

7.16" [182]



8.49" [216]

.19" [5]



MOUNTING FEET

EXB-8106



THIS DOCUMENT IS THE PROPERTY OF KILLARK. IT IS LOANED TO YOU AND MUST NOT BE COPIED IN ANY WAY DETRIMENTAL TO THE INTEREST OF KILLARK.