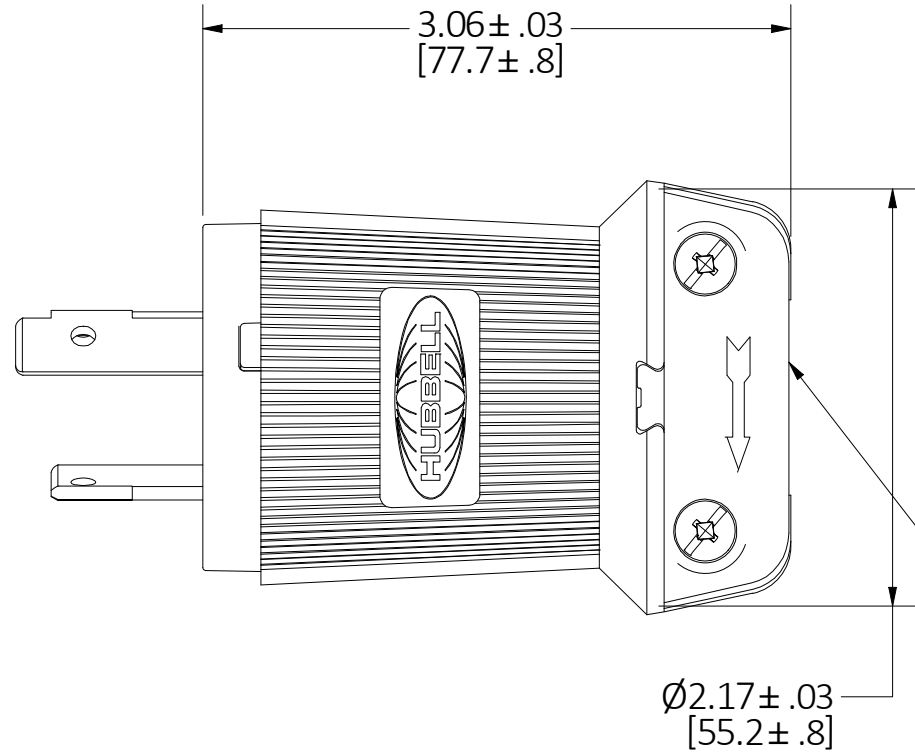
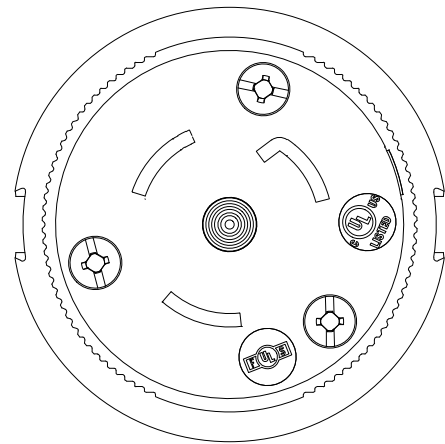
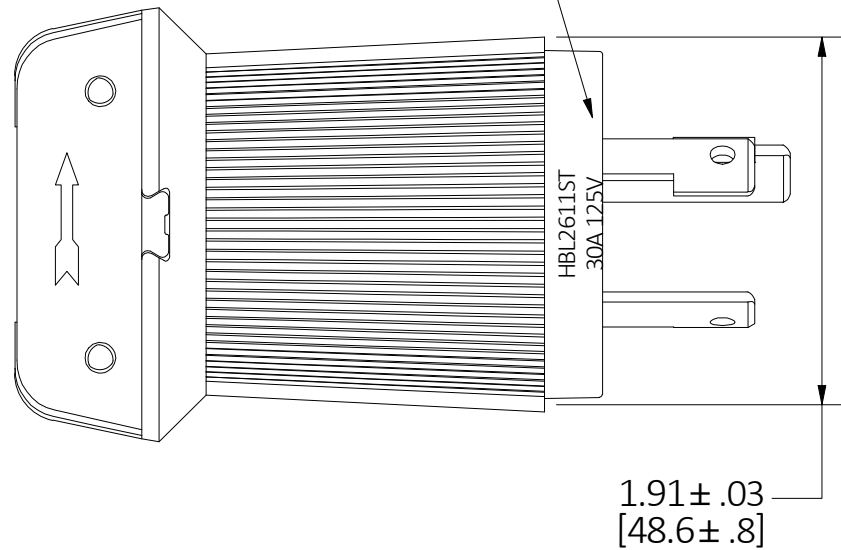


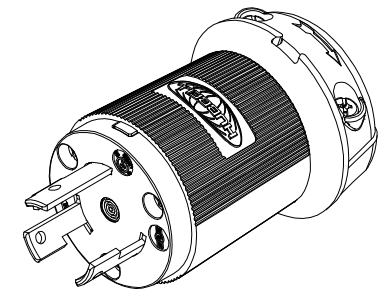
M-14337

1

CAT. NO. & RATING PRINTED ON BLADE HOLDER, COLOR CODE BY VOLTAGE



CORD CLAMP RANGE:
CORD: 14/3 - 8/3 TYPE S
14/3 - 12/3 TYPE SJ



CAT. NO. HBL2611ST
(NOT SHOWN TO SCALE)

NEMA NO.	RATING	POLE/WIRE	CAT. NO.	BLADE CONFIGURATION	VOLTAGE COLOR CODE
L5-30P	125V	2P/3W GROUNDING	HBL2611ST		YELLOW
L6-30P	250V	2P/3W GROUNDING	HBL2621ST		BLUE

NOTES (UNLESS OTHERWISE SPECIFIED):

- DIMENSIONS ARE IN INCHES [mm].
- ALL DEVICES ARE cULus LISTED & FED SPEC.
- CORD TYPES: S & SJ
- CORD CLAMP RANGE: 0.36 [9 mm] - 0.93 [24 mm].
- WIRING TERMINAL ACCOMMODATION: 14 AWG - 8 AWG STRANDED COPPER WIRE ONLY.
- ASSEMBLY SCREWS ARE PHILLIPS/SLOTTED/ROBERTSON HEAD.
- CATALOG NUMBERS & RATING ARE PAD PRINTED ON THE SIDE OF THE DEVICE, COLOR CODED BY VOLTAGE.

LIST OF PARTS

DESCRIPTION	MATERIAL	FINISH
COVER	NYLON	BLACK
CORD CLAMP	NYLON	NATURAL
BLADE HOLDER	NYLON	NATURAL
RETAINER	NYLON	BLACK
BLADE	COPPER ALLOY	
SPRING	STAINLESS STEEL	
PLUNGER	NYLON	
ASSEMBLY FASTENERS	STEEL	ZINC PLATE
CORD CLAMP INSERTS	NYLON	BLACK
DUST SHIELD	TPE	BLACK

1	INITIAL RELEASE PER DCN 220401018715 AM	MAM	05/18/22
REV	DESCRIPTION	APP	DATE

THE DESIGN AND DIMENSIONS OF THE PRODUCT SHOWN ON THIS DRAWING ARE SUBJECT TO CHANGE WITHOUT NOTICE. DIMENSIONS ARE IN INCHES [mm].

TITLE
30A 3-WIRE TWIST-LOCK® EDGE SCREWLESS TERMINATION PLUG



WIRING DEVICE-KELLEMS
HUBBELL INCORPORATED
SHELTON, CT

TOLERANCES UNLESS OTHERWISE SPECIFIED .XX = ± .01 .XXX = ± .005 ANGLE TOL. ±2'	DR. BY AM	SCALE 1 : 1
	CHK. BY MAM	DATE 04/29/22