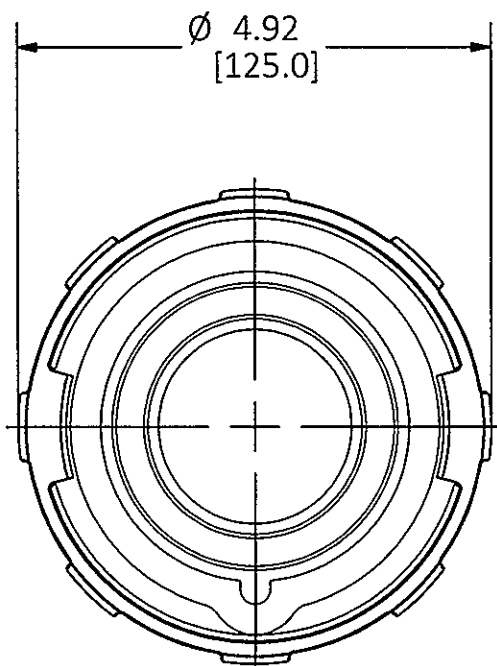
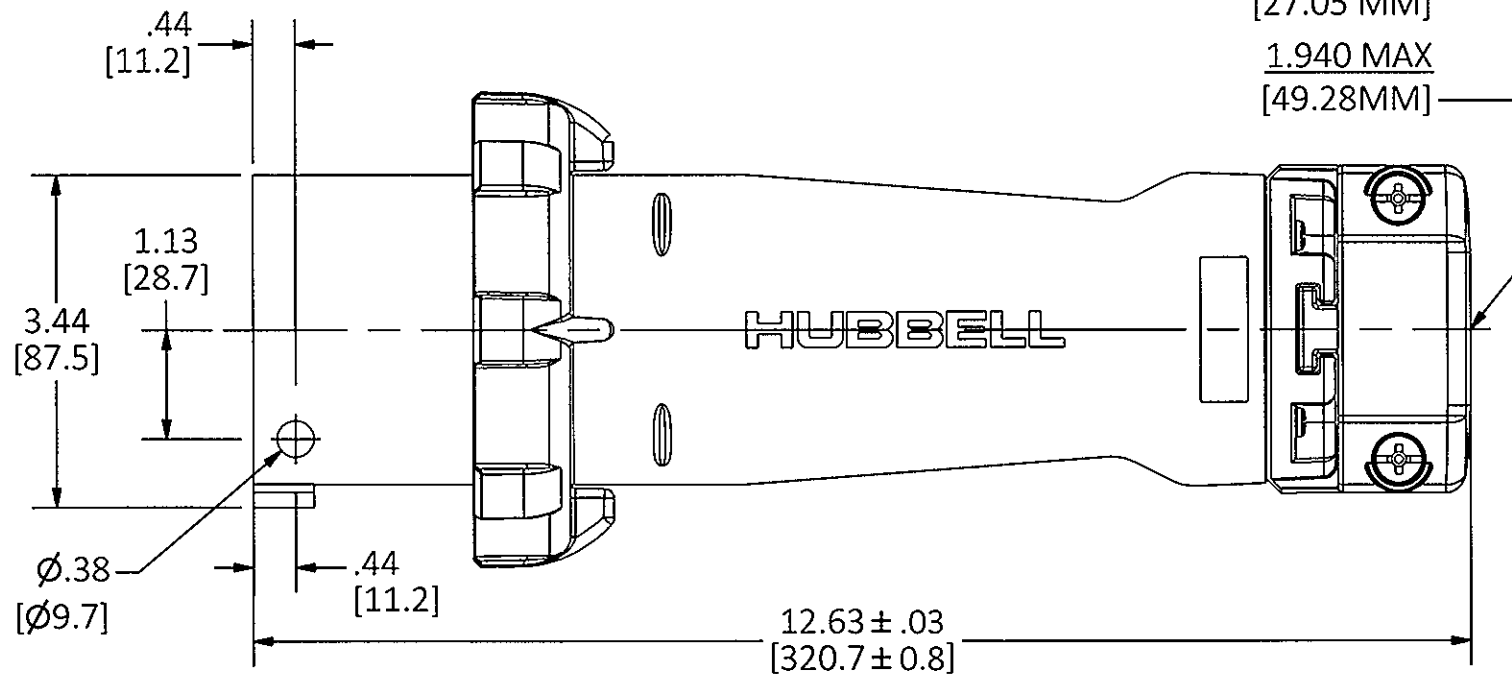


M-13334

1

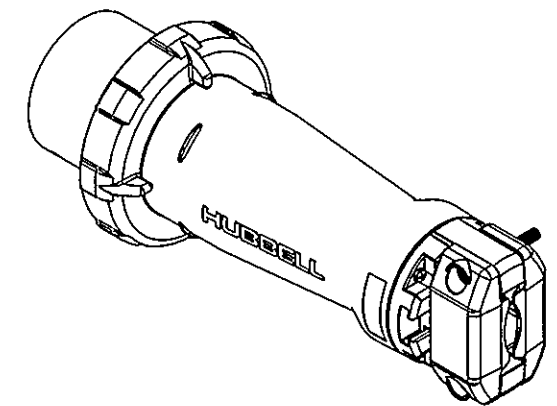


(INTERIOR NOT SHOWN)



CABLE DIA:  
1.065 MIN  
[27.05 MM]  
1.940 MAX  
[49.28MM]

LIST OF PARTS		
DESCRIPTION	MATERIAL	FINISH
HOUSING	PBT	
GASKET	RUBBER	
LOCKING RING	PBT	
INTERIOR	THERMOSET	
PINS	BRASS	
TERM. SCREWS	ST. STEEL	
GLAND CAP	PBT	
GLANDS	RUBBER	
CLAMPS	PBT	
CLAMP NUTS	BRASS	NICKEL
ASSY SCREWS	ST. STEEL	

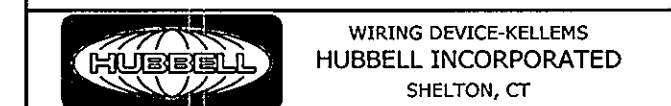


CAT. NO.	CONFIG.	RATING	HOUSING COLOR	PILOT
HBL3100P3W		100A 250VDC	BLUE	NO
HBL3100P4W		100A 125VAC	YELLOW	NO
HBL3100P4WP		100A 125VAC	YELLOW	YES
HBL3100P6W		100A 250VAC 125A - 6h/200-250V~	BLUE	NO
HBL3100P6WP		100A 250VAC 125A - 6h/200-250V~	BLUE	YES
HBL3100P7W		100A 480VAC	RED	NO
HBL3100P7WP		100A 480VAC	RED	YES
HBL3100P8V0DC		100A 550VDC	BLACK	NO

1	INITIAL RELEASE PER DCN 21982 Mr.B	TLS	3/10/16
REV	DESCRIPTION	APP	DATE

THE DESIGN AND DIMENSIONS OF THE PRODUCT SHOWN ON THIS DRAWING ARE SUBJECT TO CHANGE WITHOUT NOTICE. DIMENSIONS ARE IN INCHES [mm].

TITLE  
100A & 125A 2 POLE 3 WIRE PIN AND SLEEVE PLUGS



TOLERANCES UNLESS OTHERWISE SPECIFIED XX = ±.01 .XXX = ±.005 ANGLE TOL. ±2°	DR. BY Mr.B	SCALE 1:2
	CHK. BY TLS	DATE 3/2/16

DIMENSION SHEET FOR CAT. NO. SEE TABLE

B

M-13334

1