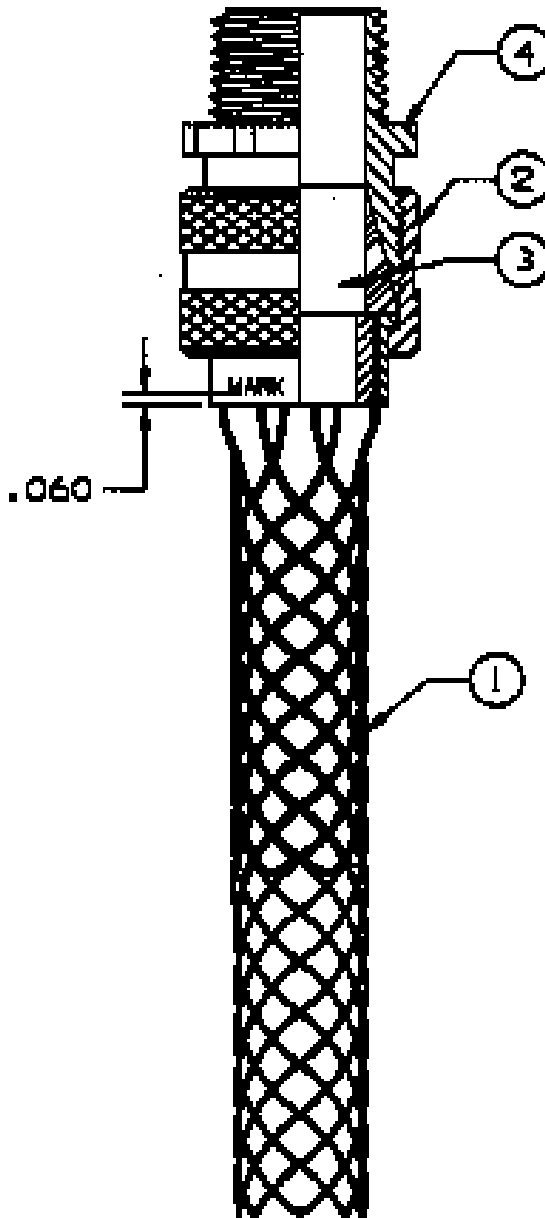


COMPONENT LIST

ITEM NO.	DESCRIPTION	MAT'L	COMPONENT NO.	QTY.
1	GRIP	SET/M	044-18-028	1
2	NUT	ALUM	871-18-098	1
3	BUSHING	NEOP	815-18-138	1
4	BODY	ALUM	1	



IN ACCEPTING OUR DRAWINGS OR BLUEPRINTS FOR QUOTATION OR OTHER PURPOSES, YOU AGREE NOT TO DISCLOSE THE DESIGN, INFORMATION, OR DECISIONS THEREIN TO ANY OTHER PARTY, AND THAT YOU WILL MAKE NO USE OF OUR DRAWINGS OR BLUEPRINTS OR OF THE DESIGN, INFORMATION, OR DECISIONS THEREIN SHOWN WITHOUT OUR PERMISSION.

TITLE DELUXE CORD GRIP, STRAIGHT MALE
 1 1/2 NPT, FORM 5
 DIA. RA. 1.250-1.375
 DESOR. CG 1222

TOLERANCES UNLESS OTHERWISE SPECIFIED
 .K ± .015
 .M ± .008
 .S ± .018
 ANGLE TOL. ± 5°

HUBBELL INCORPORATED
 MELLING DIVISION
 STONINGTON, CT

PROJECT NO.	DR. BY FBR	APP. BY
	TR. BY	SCALE N/A
	CHK. BY	DATE 12-3-53

DR. NO.	REV.
074-01-032	H