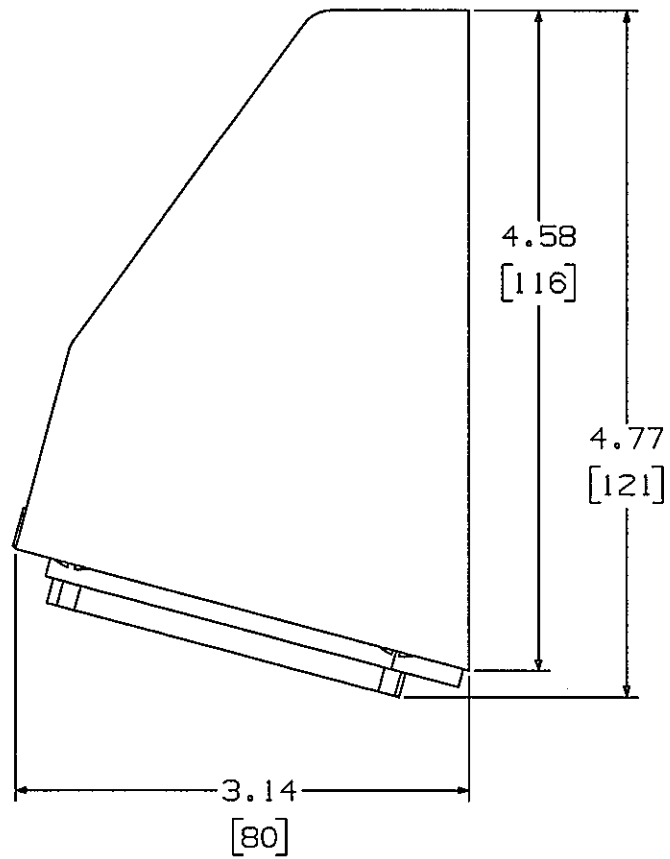
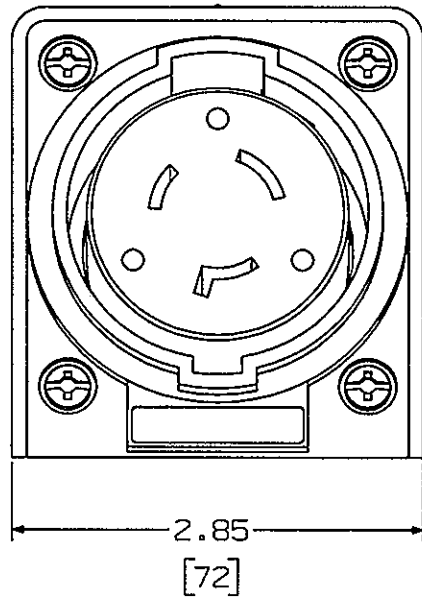


RATING AND CATALOG NO. PERMANENTLY MARKED ON HOUSING; LABEL IS COLOR-CODED TO MATCH THE NEMA COLOR CODE OF RATING FOR THE DEVICE.

ARROW INDICATES LOCK & UNLOCK STATUS WHEN MATED WITH HUBBELL SAFETY-SHROUD™ TWIST-LOCK® OR WATERTIGHT SAFETY-SHROUD™ TWIST-LOCK® MALE PLUG



NOTES:

- UNLESS OTHERWISE SPECIFIED, ALL SCREWS ARE COMBINATION PHILLIPS/SLOTTED/ROBERTSON HEAD.
- ALL TERMINAL SCREWS AND CLAMPS HAVE #10-32 THREADS.
- FINISH ON TERMINAL SCREWS ARE AS FOLLOWS:  
BRIGHT BRASS: LINE(S)  
NICKEL PLATED: NEUTRAL  
GREEN: GROUND  
BLACK: LINE(S)
- MOUNTS TO SINGLE-GANG STANDARD OR FD ELECTRICAL BOX.

SAFETY-SHROUD™ TWIST-LOCK® RATING TABULATION

NEMA NO.	CAT. NO.	COLOR CODE	POLES/WIRES	AMPS	VOLTS
L5-20R	HBL2310AR	YELLOW	2 POLE 3 WIRE	20	125
L6-20R	HBL2320AR	BLUE		20	250
L7-20R	HBL2330AR	GRAY		20	277 VAC
L5-30R	HBL2610AR	YELLOW	3 POLE 4 WIRE	30	125
L6-30R	HBL2620AR	BLUE		30	250
L14-20R	HBL2410AR	ORANGE		20	125/250
L15-20R	HBL2420AR	BLUE	3 POLE 4 WIRE	20	3 Ø 250
L16-20R	HBL2430AR	RED		20	3 Ø 480
L14-30R	HBL2710AR	ORANGE		30	125/250
L15-30R	HBL2720AR	BLUE		30	3 Ø 250
L16-30R	HBL2730AR	RED		30	3 Ø 480
L17-30R	HBL2740AR	BLACK		30	3 Ø 600
L21-20R	HBL2510AR	BLUE		4 POLE 5 WIRE	20
L21-30R	HBL2810AR	BLUE	30		3 Ø Y 120/208

NOTE: INCHES [MM]

LIST OF PARTS

DESCRIPTION	MATERIAL	FINISH
RECEPTACLE HOUSING	VALOX 357	GRAY
ANGLE COVER	VALOX 357	GRAY
MOUNTING PLATE	STEEL	GALVANIZED
SCREW, INTERIOR MTG	STEEL	NICKEL PLATE
SCREW, #6-32 MTG	STEEL	NICKEL PLATE
INTERIOR ASSEMBLY		
TERMINAL SCREWS	BRASS	VARIES
TERMINAL CLAMP	STEEL	NICKEL PLATE
CONNECTOR BODY	NYLON	NATURAL
RETAINER	POLYCARBONATE	CLEAR
CONTACT SPRINGS	BRASS	BRIGHT DIP

4	IN PARTS LISTS FOR MOUNTING PLATE FINISH GALVANIZED WAS NONE PER DCN 22225. MYA	DJP	6/24/16
3	ADDED NEMA NO. TO TABLE; RELOCATED SIDE VIEW & TABLE; "SEE TABLE" WAS "ANGLE SAFETY-SHROUD TWIST-LOCK RECEPTACLE CAT. NOS." REVISED TITLE; DEC. DIM WAS FRACTION PER DCN 8685 RCM	TCM	11/14/01
2	REVISED TO TRI-DRIVE SCREWS; REVISED NOTE 1 PER DCN 7633 RCM	DVB	6/21/00
1	RELEASED PER EC-3820 TRJS	MDM	7/05/95
SYM	REVISIONS	APP	DATE

THE DESIGN AND DIMENSIONS OF THE PRODUCT SHOWN ON THIS DRAWING ARE SUBJECT TO CHANGE WITHOUT NOTICE

TITLE  
SAFETY-SHROUD™ TWIST-LOCK® RECEPTACLES  
ANGLE HOUSING, ONE GANG

TOLERANCES UNLESS OTHERWISE SPECIFIED  
.XX = ±.01  
.XXX = ±.005  
ANGLES = ±2°

WIRING DEVICE-KELLEMS  
HUBBELL INCORPORATED  
SHELTON, CT  
DR. BY MDM APP. BY TRJS  
TR. BY SCALE NONE  
CHK. BY TRJS DATE 7/5/95

DIMENSION SHEET FOR CAT. NO.

REPAIRABLE

NON-REPAIRABLE

B

M-7368

4