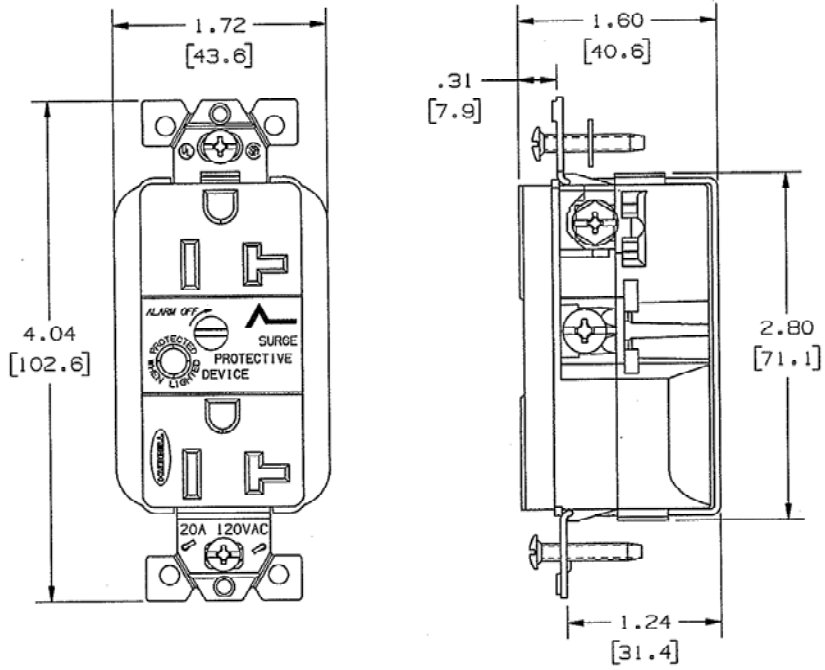


M-8359 5


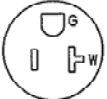


NOTES: (UNLESS OTHERWISE SPECIFIED)
 1) DIMENSION FORMAT IS: INCHES [mm]
 2) RECEPTACLES ARE WITH LIGHT & ALARM;
 THOSE SHOWING ASTERISK (*) ARE WITH LIGHT ONLY.

LIST OF PARTS

DESCRIPTION	MATERIAL	FINISH
YOKE	STEEL	NICKEL
BASE	LEXAN	BLACK
BACK COVER	LEXAN	BLACK
FACE COVER	NYLON	
GROUND CLIP	BRASS	TIN

NO.	DESCRIPTION	APP.	DATE
5	ADDED CAT.'S HBL5260WSA AND HBL5360WSA PER DCN 18457 SPN	EJM	11/3/11 <i>Estm</i>
4	REPLACED VIEWS WITH REVISED COMPONENTS, PER DCN 19587 SPN	SML	3/18/09
3	ADDED ALMOND CAT. NO'S TO TABLE PER DCN 11598 RCM	MJL	3/31/04
2	ADDED DUAL DIMENSIONS, TABLE, NOTES, AND "SEE TABLE" IN 2 PLACES; HBL52620WSA WAS HBL526250WSA; 1G52620WSA WAS 1G82625RSA; HBL8262RSA WAS HBL82625RSA; HBL53620WSA WAS HBL536250WSA; 1G53620WSA WAS 1G83625RSA; AND, HBL8362RSA WAS HBL83625RSA; PER DCN #8692. JMN	TCM	12/13/01
1	RELEASED PER DCN 7854-2 RCM	CZH	9/6/00

CATALOG NUMBER		COLOR	RATING	CATALOG NUMBER		COLOR	RATING
SPECIFICATION GRADE	HOSPITAL GRADE			SPECIFICATION GRADE	HOSPITAL GRADE		
HBL5260SA	---	BLUE *	 NEMA 5-15R 15A, 125V. 240 JOULES 15,000 AMPS.	HBL5360SA	---	BLUE *	 NEMA 5-20R 20A, 125V. 240 JOULES 15,000 AMPS.
HBL5260ISA	---	IVORY *		HBL5360ISA	---	IVORY *	
HBL5260WSA	---	WHITE *		HBL5360WSA	---	WHITE *	
HBL5262SA	HBL8262SA	BLUE		HBL5362SA	HBL8362SA	BLUE	
HBL5262ISA	HBL8262ISA	IVORY		HBL5362ISA	HBL8362ISA	IVORY	
HBL5262GSA	HBL8262GSA	GRAY		HBL5362GSA	HBL8362GSA	GRAY	
HBL5262WSA	HBL8262WSA	WHITE		HBL5362WSA	HBL8362WSA	WHITE	
1G5262SA	1G8262SA	1G/BLUE		1G5362SA	1G8362SA	1G/BLUE	
1G5262ISA	1G8262ISA	1G/IVORY		1G5362ISA	1G8362ISA	1G/IVORY	
1G5262GSA	1G8262GSA	1G/GRAY		1G5362GSA	1G8362GSA	1G/GRAY	
1G5262WSA	1G8262WSA	1G/WHITE		1G5362WSA	1G8362WSA	1G/WHITE	
1G5262OSA	1G8262OSA	1G/ORANGE		1G5362OSA	1G8362OSA	1G/ORANGE	
---	1G8262RSA	1G/RED		---	1G8362RSA	1G/RED	
---	HBL8262RSA	RED		---	HBL8362RSA	RED	
HBL52620WSA	---	OFFICE WHITE		HBL53620WSA	---	OFFICE WHITE	
1G52620WSA	---	1G/OFFICE WHITE		1G53620WSA	---	1G/OFFICE WHITE	
HBL5262ALSA	HBL8262ALSA	ALMOND		HBL5362ALSA	HBL8362ALSA	ALMOND	
1G5262ALSA	---	1G/ALMOND		1G5362ALSA	---	1G/ALMOND	

THE DESIGN AND DIMENSIONS OF THE PRODUCT SHOWN ON THIS DRAWING ARE SUBJECT TO CHANGE WITHOUT NOTICE

TITLE
 SURGE DUPLEX RECEPTACLE

TOLERANCES UNLESS OTHERWISE SPECIFIED
 FRACTIONS ±1/64
 DECIMALS ±.005
 ANGLES ±2°

WIRING DEVICE-KELLENS
 HUBBELL INCORPORATED
 BRIDGEPORT, CT

DR. BY RCM	APP. BY CZH
TR. BY	SCALE 1:1
CHK'D BY CZH	DATE 9/6/00

DIMENSION SHEET FOR CAT. NO. SEE TABLE

REPAIRABLE NON-REPAIRABLE

B

M-8359

5