



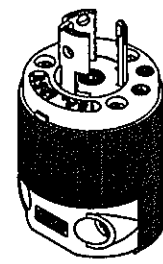


M-7151 10

CHEM-MARINE CAT. NO. (YELLOW COVER & INSERT) [B]	CAT. NO. (YELLOW COVER & INSERT)	CAT. NO. (BLACK COVER & INSERT)	ALL BLACK [C]	CONFIGURATION	RATING	IEC RATING COLOR	U.L.	C.S.A.
HBL47CM20C	-----	HBL4720C	HBL4720CBK	NEMA L5-15P 	15A 125V	YELLOW	YES	YES
HBL45CM70C	-----	HBL4570C		NEMA L6-15P 	15A 250V	BLUE	YES	YES
HBL47CM70C	-----	HBL4770C		NEMA L7-15P 	15A 277VAC	GRAY	YES	YES
-----	HBL7567CY	HBL7567C		3-POLE 3-WIRE 	15A 125V 10A 250V	BLACK	NO	NO

LIST OF PARTS		
DESCRIPTION	MATERIAL	FINISH
[C] BLADE HOLDER	NYLON	NATURAL
RETAINER	POLYCARBONATE	CLEAR
COVER	NYLON	
INSERT	NYLON	
[C] CORD CLAMP	NYLON	NATURAL
WIRE CLAMP	.062 CRS	NICKEL PLATE
[A] CONTACT BLADES	.060 BRASS	
[A] BINDING SCREWS	BRASS	
GROUND HEX. HEAD BINDING SCREW	BRASS	GREEN
CORD CLAMP	STEEL	ZINC PLATE
ASSY SCREWS	STEEL	ZINC PLATE

DIMENSION SHEET FOR CAT. NO. SEE TABLE



CATALOG NO. HBL4720C (NOT SHOWN TO SCALE)

REPAIRABLE NON-REPAIRABLE

B

REV	DESCRIPTION	APP	DATE
10	TABLE ADDED "L" TO NEMA L5-15P, L6-15P AND L7-15P PER DCN 22941 SPN	DJP	3/8/17
9	REVISED PER DCN22024 SPN	DJP	5/19/16
8	REDRAWN WITH EMBEDDED CAD MODEL WITH NO CHANGES TO PART GEOMETRY. PER DCN 21895 SPN	DJP	2/5/16

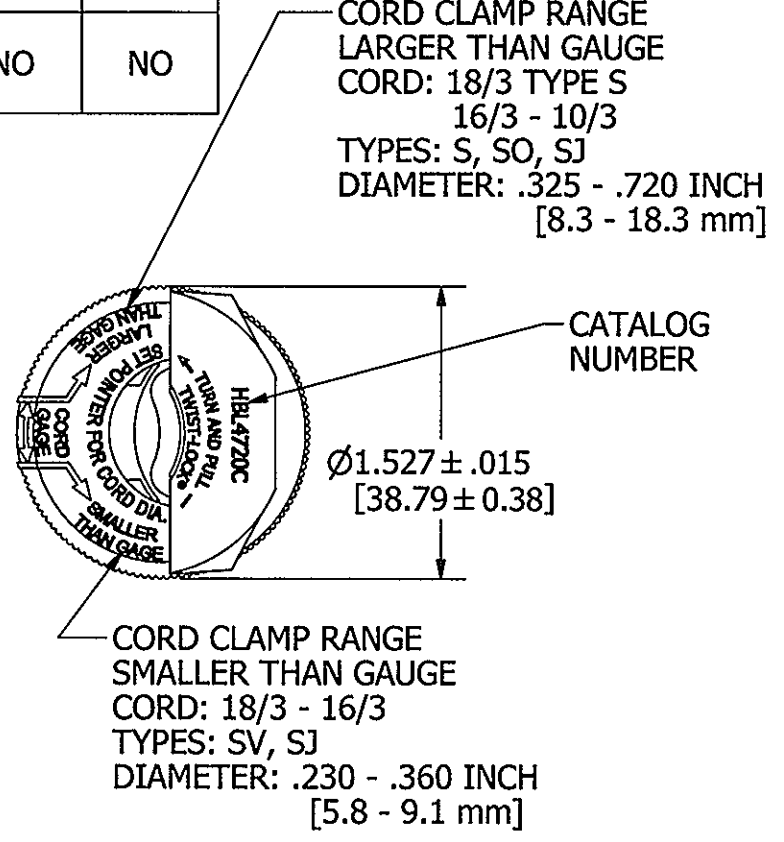
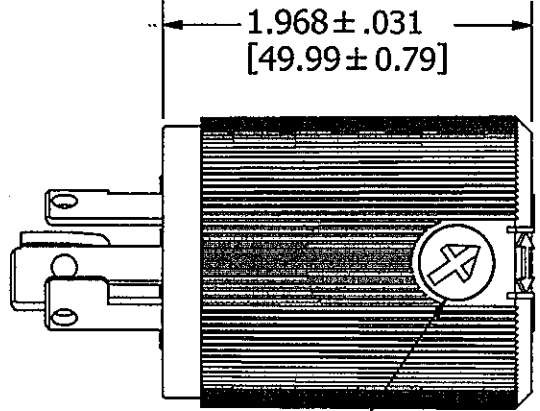
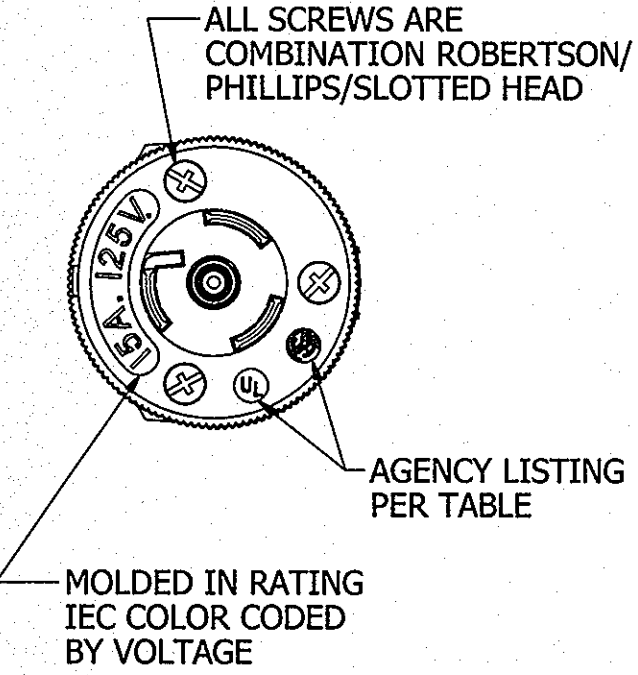
THE DESIGN AND DIMENSIONS OF THE PRODUCT SHOWN ON THIS DRAWING ARE SUBJECT TO CHANGE WITHOUT NOTICE

TITLE
**INSULGRIP®
 2 POLE 3 WIRE
 GROUNDING TWIST-LOCK®
 PLUGS**

TOLERANCES UNLESS OTHERWISE SPECIFIED	WIRING DEVICE-KELLEMS HUBBELL INCORPORATED SHELTON, CT			
.XX = ± .01	DR. BY	RC M	APP. BY	VFL
.XXX = ± .005	TR. BY		SCALE	1:1
ANGLES = ± 2°	CHK. BY	ZIMM	DATE	6/30/93

M-7151

10



NOTES:

- DIMENSIONS ARE IN INCHES [mm].
- COMPONENT FINISHES:
 - [A] WHITE FINISH ON NEUTRAL CONTACT WHEN USED.
 - [B] CM DEVICES SAME AS ABOVE EXCEPT: COVER & CORD CLAMP- YELLOW TERMINAL SCREWS & CONTACT- NICKEL PLATED WIRE CLAMPS - BRASS, NICKEL PLATE ASSEM FASTENERS - STAINLESS STEEL
 - [C] BK DEVICES ARE SAME AS ABOVE EXCEPT ALL BLACK