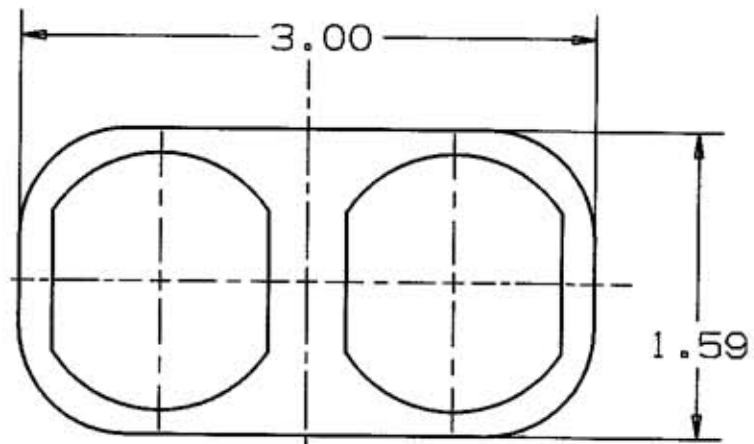
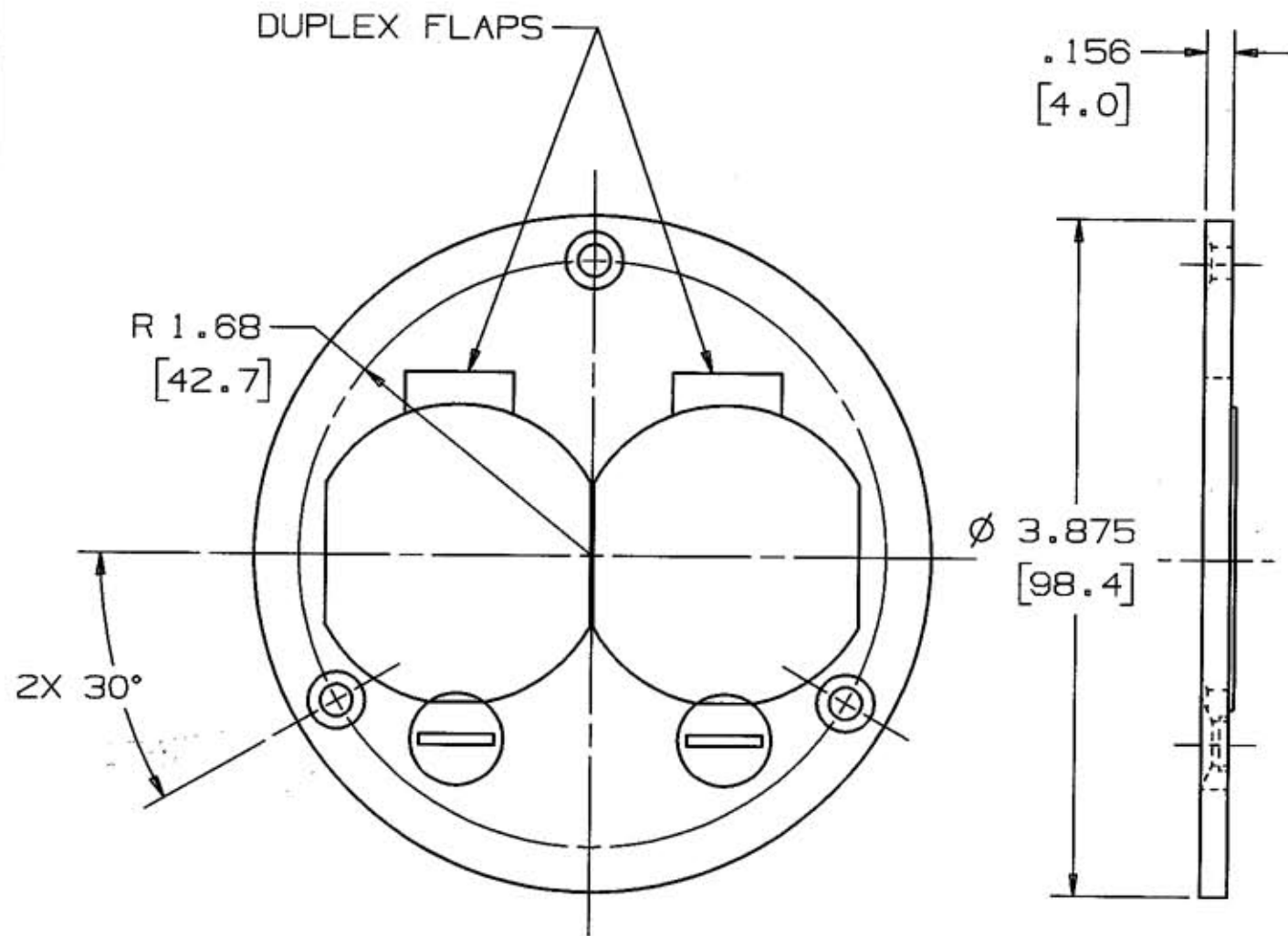
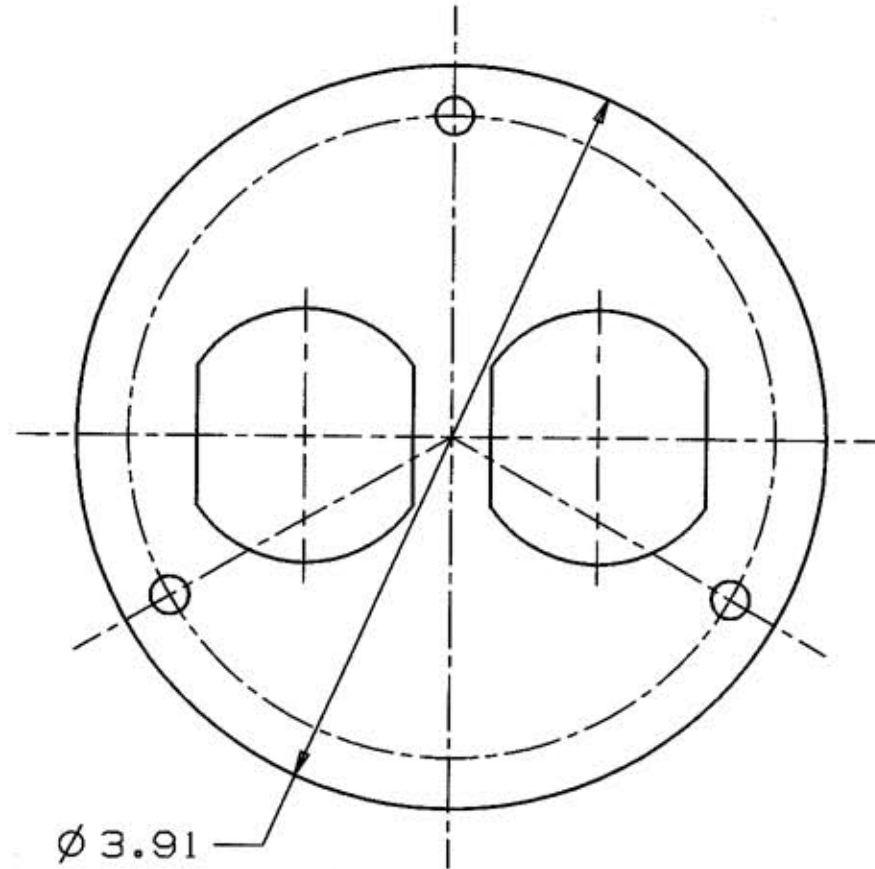


M-8517 2



SPACER
.063 THICK



GASKET
.12 THICK

NOTES: (UNLESS OTHERWISE SPECIFIED)

1) DIMENSION FORMAT IS: INCHES
[mm]

2) DIMENSIONS SHOWN ON THIS DRAWING ARE
NOMINAL VALUES FOR GENERAL USE ONLY.
ACTUAL PART TOLERANCES MUST BE
OBTAINED FROM HUBBELL ENGINEERING.

CAT. NO.	MATERIAL	FINISH
S3925	BRASS	BRUSHED & LACQUERED
SA3925	ALUMINUM	LACQUERED

LIST OF PARTS

DESCRIPTION	MATERIAL	FINISH
SEE TABLE		
GASKET	U.L. LISTED ELASTOMER	SEE TABLE
SPACER	STEEL	GLAVANIZED

SYM	REVISIONS	APP	DATE
2	ADDED GASKET & SPACER TO LIST OF PARTS PER DCN10626	SM	1/19/03
1	X REMOVED; LAST X-REVISION WAS X-0. RELEASED FOR PRODUCTION PER DCN #8674. JMN	TCM	7/30/01

THE DESIGN AND DIMENSIONS OF THE PRODUCT SHOWN ON THIS DRAWING ARE SUBJECT TO CHANGE WITHOUT NOTICE

TITLE
ROUND FLOOR BOX
COVER PLATE WITH
DUPLEX FLAP

TOLERANCES UNLESS OTHERWISE SPECIFIED
FRACTIONS ±1/64
DECIMALS ±.005
ANGLES ±2°

WIRING DEVICE-KELLEMS
HUBBELL INCORPORATED
BRIDGEPORT, CT
DR. BY JMN APP. BY JNC
TR. BY SCALE 1:1
CHK'D BY TCM DATE 7/30/01