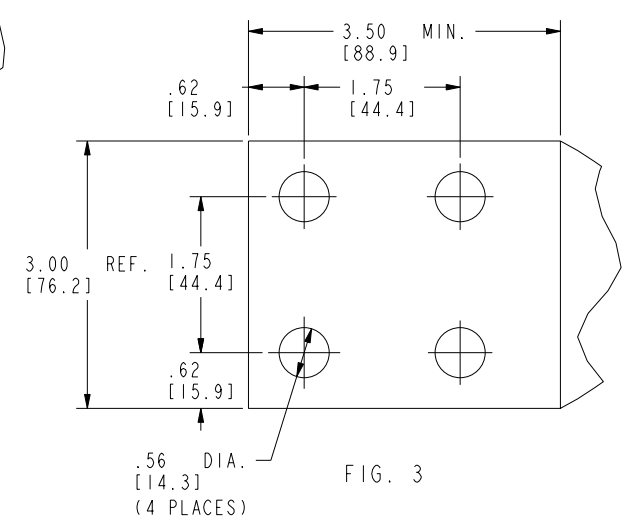
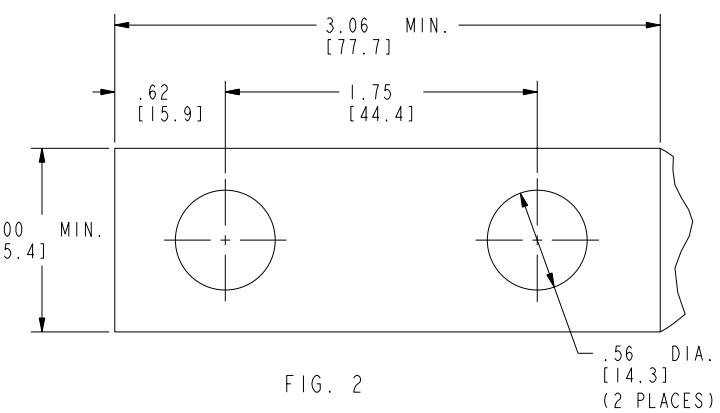
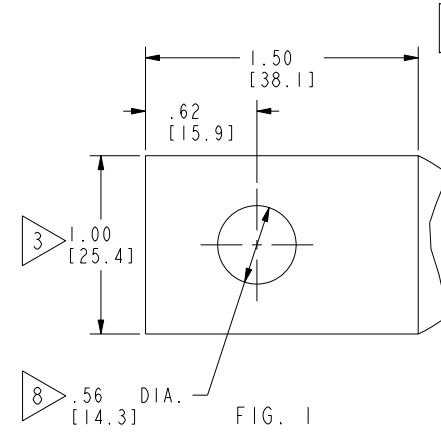
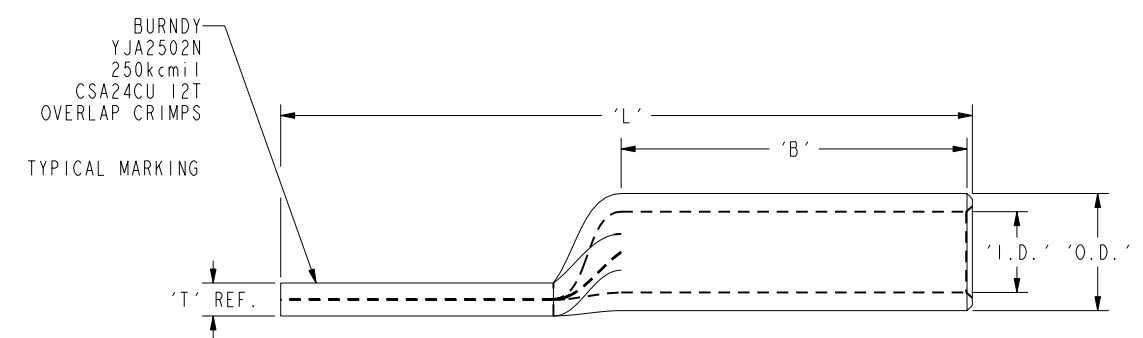


DRAWING NO.
CSD029724-01

CATALOG NUMBER	ONT. HYDRO CODE NO.	ACCOMMODATES	DIE INDEX	TOOL IDENTIFIER	FIG. NO.	O.D.	I.D.	"B"	"L"	"T" REF		
YJA6C2N	721-C025:2	#6 AWG. (.162 [4.11] DIA.)	CSA22CU	12T	2	.625 [15.88]	.203 [5.16]	1.38 [35.10]	4.78 [121.40]	.27 [6.80]		
YJA2CT12	721-A198:1	#2 AWG. (.258 [6.55] DIA.)	CSA22CU		1	.625 [15.88]	.315 [8.00]	1.38 [35.10]	3.22 [81.80]	.31 [7.90]		
YJA1/0T12	721-A200:2	1/0 AWG. (.325 [8.26] DIA.)	CSA22CU		1	.657 [16.69]	.421 [10.69]	1.97 [50.00]	3.81 [96.80]	.21 [5.30]		
YJA1/02N	721-B994:0				5.38 [136.70]							
YJA2/0T12	721-B203:0	2/0 AWG. (.365 [9.27] DIA.)	CSA22CU		1	.657 [16.69]	.453 [11.51]	1.97 [50.00]	3.88 [98.60]	.19 [4.70]		
YJA2/0T38	--				5.44 [138.20]							
YJA2/02N	721-B547:2				3.88 [98.60]							
YJA3/0T12	722-A769:3				5.44 [138.20]							
YJA3/02N	721-B987:0	3/0 AWG. 19 STR. (.470 [11.94] DIA.)	CSA22CU		60T	1	.667 [16.94]	.500 [12.70]	1.97 [50.00]	3.88 [96.60]	.17 [4.30]	
YJA4/0T38	--	4/0 AWG. 19 STR. (.528 [13.41] DIA.)	CSA24CU			2	.843 [21.41]	.563 [14.30]	2.36 [59.90]	4.29 [109.00]	.28 [7.10]	
YJA4/0T12	721-A358:4					5.84 [148.30]						
YJA4/02N	721-A354:2	250 kcmil 37 STR. (.575 [14.61] DIA.)	CSA24CU			1	.843 [21.41]	.594 [15.09]	2.36 [59.90]	6.22 [158.00]	.25 [6.40]	
YJA2502N	721-B600:6			6.47 [164.30]								
YJA3002N	721-B809:2			4.91 [124.70]								
YJA350T12	721-B552:3			6.47 [164.30]								
YJA3502N	721-B551:6	350 kcmil 37 STR. (.681 [17.50] DIA.)	CSA26CU	12T		1	1.030 [26.16]	.720 [18.29]	2.36 [59.90]	4.91 [124.70]	.31 [7.90]	
YJA500T12	721-B601:3	500 kcmil 37 STR. (.813 [20.55] DIA.)	CSA28CU			2	1.250 [31.75]	.843 [21.41]	2.36 [59.90]	5.38 [136.70]	.41 [10.40]	
YJA5002N	722-2287:1					6.94 [176.30]						
YJA6002N	721-A768:6	600 kcmil 61 STR. (.893 [22.68] DIA.)	CSA28CU			60T	1	1.250 [31.75]	.997 [25.30]	2.95 [74.90]	7.53 [191.30]	.31 [7.90]
YJA750T12	721-B602:0	750 kcmil 61 STR. (.998 [25.34] DIA.)	CSA30CU				2	1.500 [38.10]	1.031 [26.19]	2.95 [74.90]	5.97 [151.60]	.47 [11.90]
YJA7502N	721-B603:4				7.53 [191.30]							
YJA7504N	721-A907:2	1000 kcmil 61 STR. (1.152 [29.26] DIA.)	CSA34CU		3		1.875 [47.63]	1.188 [30.18]	2.95 [74.90]	7.97 [202.40]	.62 [15.90]	
YJA10002N	721-B605:5				7.69 [195.30]							
YJA10004N	721-B604:1				8.15 [207.00]							
YJA12502N	721-B717:5				7.75 [196.90]							
YJA12504N	721-A971:6	1250 kcmil 91 STR. (1.289 [32.74] DIA.)	CSA34CU		12T		2	1.875 [47.63]	1.328 [33.73]	2.95 [74.90]	8.19 [208.00]	.56 [14.30]
YJA6CT12	--	#6 AWG. (.162 [4.11] DIA.)	CSA22CU				1	.625 [15.88]	.203 [5.16]	1.38 [35.10]	3.22 [81.80]	.27 [6.80]
YJA4CT38	--	#4 AWG. (.204 [5.18] DIA.)	CSA22CU	1			3.22 [81.80]					
YJA1CT12	--	#1 AWG. (.289 [7.34] DIA.)	CSA22CU	1			3.50 [88.90]				.266 [6.80]	
YJA4CT12	--	#4 AWG. (.204 [5.18] DIA.)	CSA22CU	1			3.22 [81.80]					
YJA1/0T38	--	1/0 AWG. (.325 [8.26] DIA.)	CSA22CU	1		3.81 [96.80]						
YJA250T12	--	250 kcmil 31 STR. (.575 [14.61] DIA.)	CSA24CU	1		4.67 [118.60]						

REV	DATE	DESCRIPTION	ECO	BY	C'H'K.
E	01/11/2012 00:00:00 AM	ADD CAT. NO. YJA2/0T38 PER MU 26496	26496	AD	MA



- NOTES:
- THIS DRAWING TO BE INTERPRETED PER ASME Y14.5M-1994.
 - BURNDY CSA DIES EMBOSS THE DIE NO. ON THE CONNECTOR WHEN CRIMPING.
 - MAX. PAD WIDTH 1.73[44.0].
 - MATERIAL: COPPER ASTM B187 OR B188
 - FINISHED HARDNESS: RF50 MAX.
 - FINISH: ELECTRO-TIN PLATED.
 - DIMENSIONS IN BRACKETS [] ARE IN MILLIMETERS UNLESS OTHERWISE NOTED, AND ARE FOR REFERENCE ONLY.

- DRILL HOLE SIZE IS .44[11.2] DIA. FOR YJA4CT38, YJA1/0T38 AND YJA2/0T38.
- 12T INDICATES TO USE A 12 TON TOOL. 12 TON TOOL OPTIONS ARE THE Y35, Y39, Y750 & PAT750 SERIES TOOLS. 60T INDICATES TO USE A 60 TON TOOL, THE Y60 SERIES TOOL IS AVAILABLE FOR THIS APPLICATION.

TO ORDER BURNDY® PRODUCTS CALL		COPPER CSA LUGS	
UNITED STATES 1-800-346-4175 (LONDONDERRY, NH)		ITEM NO: N/A	SCALE: 1:1
CANADA: 1-800-361-6975 (QUEBEC) 1-800-387-6487 (ALL OTHER PROVINCES)		CAT. NO: YJA-- (SEE TABLE)	REV
FOR PRODUCT INFO: http://www.burndy.com		DRAWN BY: R. BOISVERT 03/06/07	
		CHECKER: P. LAPONTUS 03/06/07	
		DSN APPVL: J. MICHAUD 02/25/07	
		MFG APPVL: V. TORRES 02/28/07	
		QA APPVL: J. BRODEUR 03/01/07	
		MKT APPVL: --	
		PROD FAM: CM&R COMPRESSION	DRAWING NO: CSD029724-01
		PROJECT #: --	SIZE: D
		DOCUMENT TYPE: Sales	SHEET 1 OF 1
		REL LEVEL: Released	REV: E

REV: PE0200