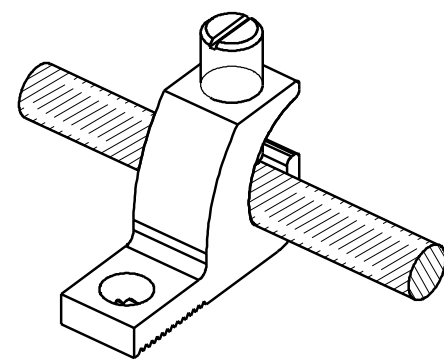
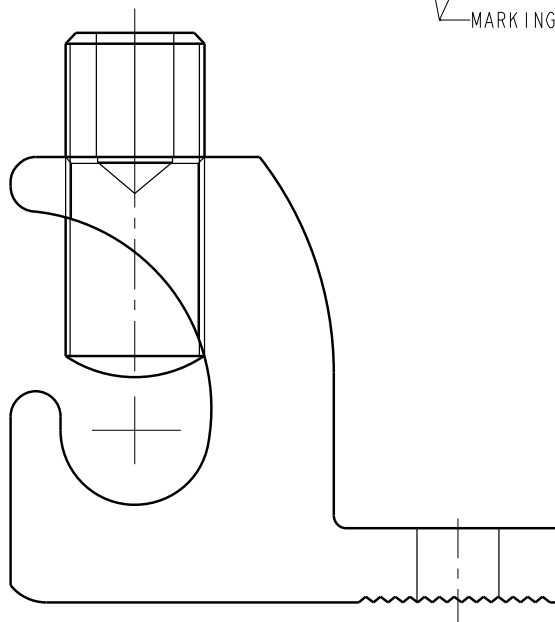
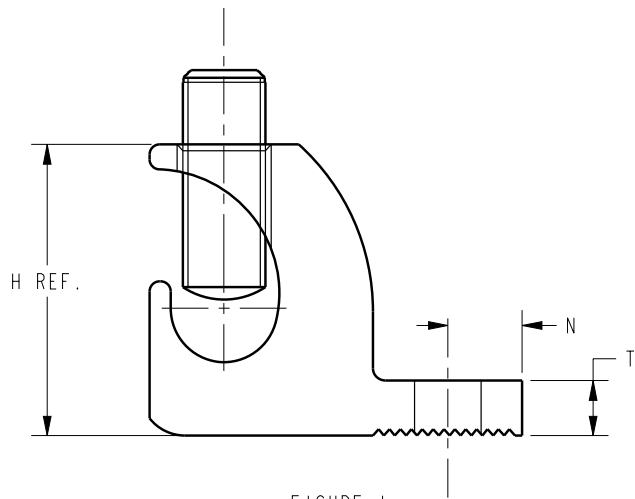
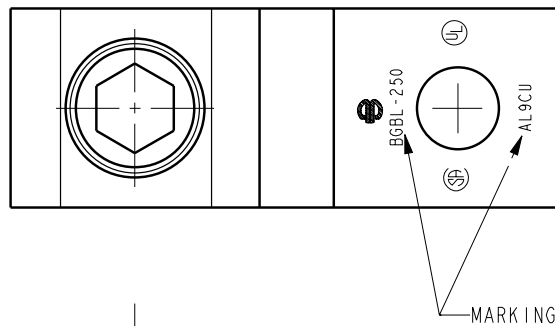
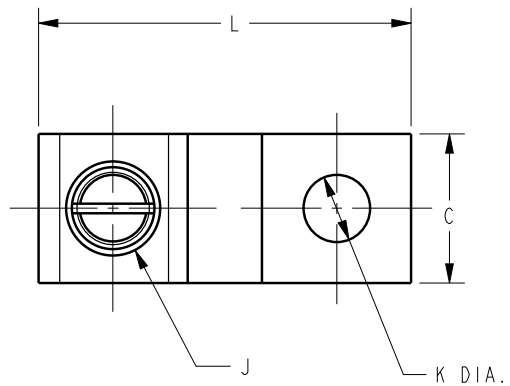


CATALOG NUMBER	FIG.	CONDUCTOR RANGE	DIMENSIONS (±.02) UNLESS OTHERWISE SPECIFIED								HEX SIZE	WIRE SIZE	TORQUE in-Lbs.
			C	E MIN.	H REF.	J	K DIA.	L	N	T			
BGBL1/0	1	1/0-14 AWG	.60 [15]	.60 [15]	1.17 [30]	3/8-24	.27 [7]	1.50 [38]	.30 [8]	.22 [6]	SLOT	1/0 - #3 AWG #6 - #4 AWG #8 AWG #10 - #14 AWG	50 in-Lbs 45 in-Lbs 40 in-Lbs 35 in-Lbs
BGBL4	1	4-14 AWG	.38 [10]	.47 [12]	.78 [20]	1/4-28	.22 [6]	1.07 [27]	.19 [5]	.15 [4]	SLOT	#4 - #6 AWG #8 AWG #10 - #14 AWG	35 in-Lbs 25 in-Lbs 20 in-Lbs
BGBL250	2	250 kcmil-#6 AWG	.80 [20]	.80 [20]	1.79 [45]	9/16-18	.33 [8]	2.20 [56]	.40 [10]	.30 [8]	5/16	250 kcmil-#6 AWG	180 in-Lbs

REV	DATE	DESCRIPTION	ECO	BY	C'H'K.
D	2020-04-29 00:00:00 EDT	UPDATED AS PER MARKUP	53505	PB	RG



INSTALLED VIEW

NOTES:

1. MATERIAL: HIGH STRENGTH 6061-T6 ALUMINUM, TIN PLATED.
2. SUITABLE FOR ALUMINUM OR COPPER CONDUCTORS.
3. BURNDY PEN-A PENETROX[®] INHIBITOR IS RECOMMENDED FOR ALL ALUMINUM TERMINATIONS.
4. CONNECTORS LISTED TO UL 486B FOR ALUMINIUM AND COPPER CONNECTORS.
5. CSA CERTIFIED FOR ALUMINUM AND COPPER CONNECTORS.
6. LAY-IN FEATURE PROVIDES EASE OF INSTALLATION.
7. DIMENSIONS IN BRACKETS [] ARE IN MILLIMETERS ROUNDED OFF TO THE NEAREST MILLIMETER, UNLESS OTHERWISE NOTED, AND ARE FOR REFERENCE ONLY.
8. ALL CONNECTORS RATED FOR 90° C.

- 9 LISTED TO UL 467 GROUNDING AND BONDING, FILE E9999.
- 10 LISTED TO UL486B WIRE CONNECTORS AND SOLDERING LUGS, FILE E9498.

FIGURE 1

FIGURE 2

TO ORDER BURNDY[®] PRODUCTS CALL
 UNITED STATES:
 1-800-346-4175 (LONDONDERRY, NH)
 CANADA:
 1-800-361-6975 (QUEBEC)
 1-800-387-6487 (ALL OTHER PROVINCES)
 FOR PRODUCT INFO: <http://www.burndy.com>

LAY-IN QIKLUG [™] TERMINAL	
ITEM NO:	N/A
CAT. NO:	BGBL - (TABLE)
DRAWN BY:	P.LAPONIUS 12/02/1999
CHECKER:	J.MICHAUD 12/02/1999
DSN APPVL:	J.MICHAUD 12/02/1999
MFG APPVL:	--
QA APPVL:	J.BRODEUR 12/02/1999
MKT APPVL:	P.MITCHEL 12/02/1999
PROD FAM:	--
PROJECT #:	--
DOCUMENT TYPE:	Sales
REL LEVEL:	Released



DRAWING NO	REV
SE212385-01	D
SHEET 1 OF 1	

REV: PE0200