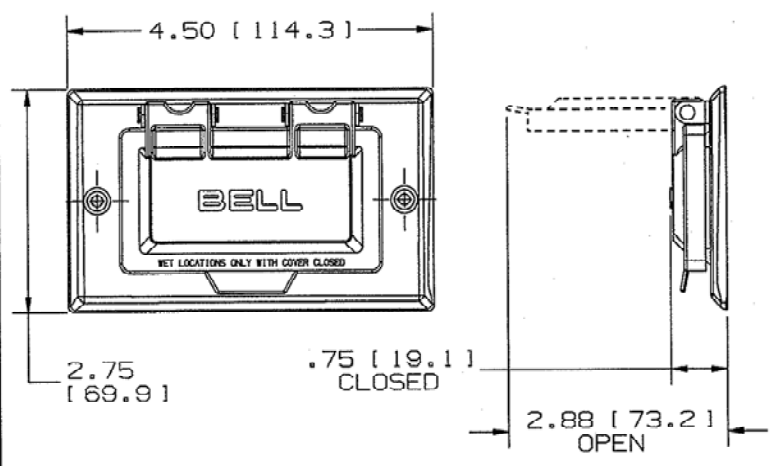
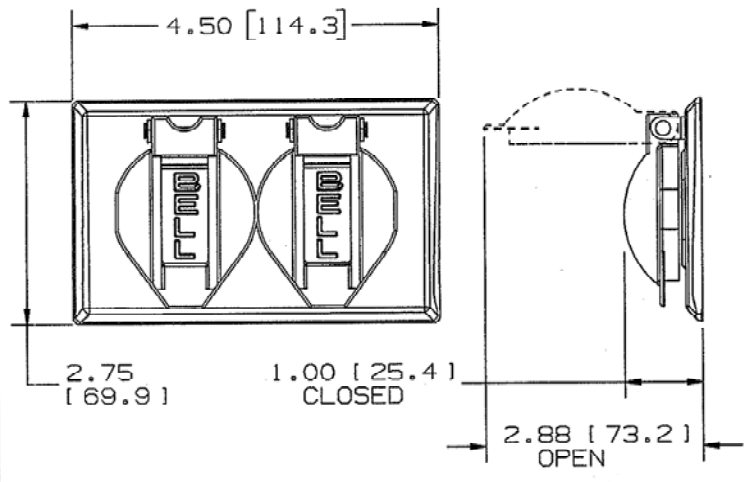


M-11736 1



CAT. NO. RW51020
GFCI OPENING



CAT. NO. RW51810
DUPLEX OPENING

PRODUCT INCLUDES FOLLOWING ITEMS:

1. LID ASSEMBLED TO COVER.
2. FOAM GASKET MATERIAL FOR WEATHERTITE SEAL.
3. ASSEMBLY HARDWARE CONSISTING OF MTG. SCREWS PACKAGED IN A POLYBAG FOR DEVICE AND COVER MOUNTING.
4. PRODUCT IDENTIFICATION CARD, INCLUDES INSTALLATION INSTRUCTIONS.
5. PRODUCT COMPLETELY WRAPPED IN CELLOPHANE.
6. DIMENSIONS IN INCHES [MM].

CODE 74545

LIST OF PARTS		
DESCRIPTION	MATERIAL	FINISH
RECEPT. COVER	ALUMINUM	GRAY
MTG. SCREWS	STEEL	
GASKET	FOAM	BLACK

DIMENSION SHEET FOR CAT. NO. M-11736
 REPAIRABLE NON-REPAIRABLE B

SEE NOTES

1	NEW RELEASE PER DCN 16843 SPN	DJJP	10/8/10
SYM	REVISIONS	APP	DATE

THE DESIGN AND DIMENSIONS OF THE PRODUCT SHOWN ON THIS DRAWING ARE SUBJECT TO CHANGE WITHOUT NOTICE

TITLE WP COVERS
OUTDOOR 1G RECEPTACLE
HORIZONTAL MOUNTING

TOLERANCES UNLESS OTHERWISE SPECIFIED	WIRING DEVICE-KELLEMS HUBBELL INCORPORATED BRIDGEPORT, CT	
FRACTIONS ±1/64	DR. BY SPN	APP. BY DJJP
DECIMALS ±.005	TR. BY	SCALE NONE
ANGLES ±2°	CHK'D BY DJJP	DATE 6-12-03

M-11736 1