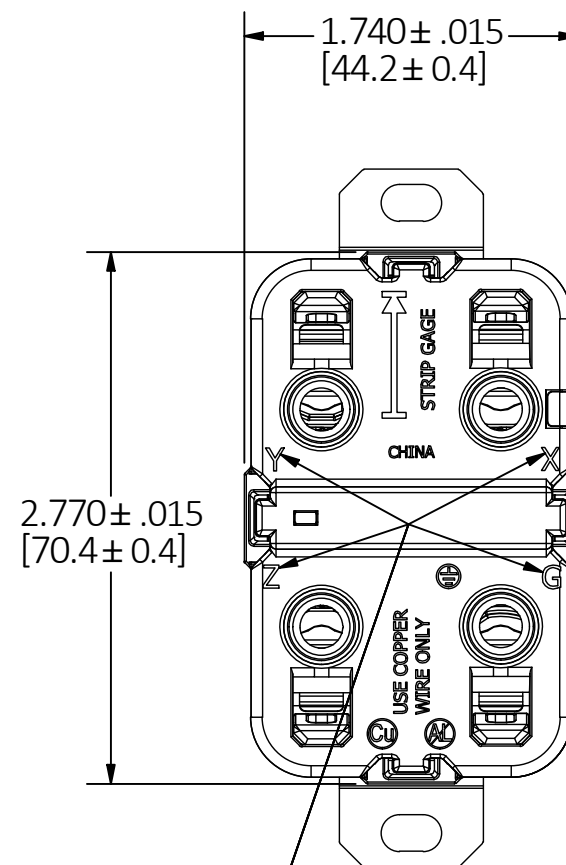
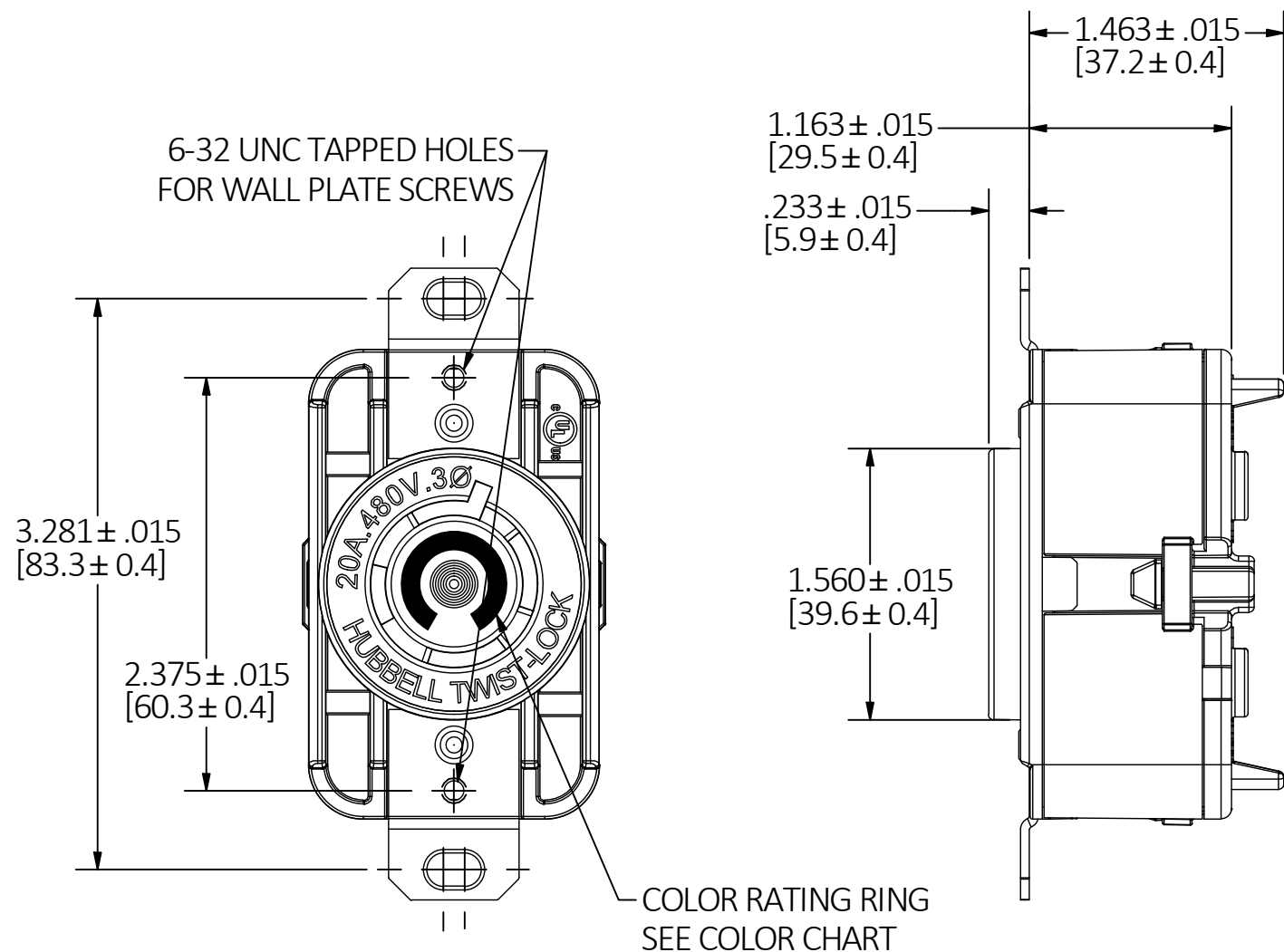


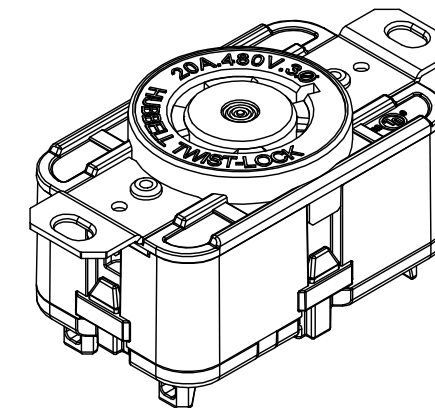
M-14074

2



MARKINGS MAY VARY FROM WHAT'S SHOWN

LIST OF PARTS		
DESCRIPTION	MATERIAL	FINISH
COVER	THERMOPLASTIC	
MID HOUSING	THERMOPLASTIC	
BASE	THERMOPLASTIC	
CONTACTS	BRASS	
SPRING	STEEL	
PLUNGER	THERMOPLASTIC	
GR. SHUNT	BRASS	
MOUNTING PLATE	BRASS	
RIVET	BRASS	



CAT NO.	NEMA NO.	RATING	POLE/WIRE	CONFIGURATION	RATING RING COLOR
HBL2410ST	L14-20	20A 125/250V	3P/4W GROUNDING		ORANGE
HBL2420ST	L15-20	20A 250V 3Ø	3P/4W GROUNDING		BLUE
HBL2430ST	L16-20	20A 480V 3Ø	3P/4W GROUNDING		RED

NOTES:

- DIMENSIONS ARE IN INCHES [mm].
- WIRING TERMINAL ACCOMMODATION:
 - SOLID WIRE: 14 AWG - 10 AWG COPPER WIRE ONLY
 - STRANDED WIRE (INCLUDING COMPACT STRANDED): 14 AWG - 8 AWG COPPER WIRE ONLY
- CONDUCTOR STRIP LENGTH: 0.600" (15.24mm)

2	CONDUCTOR RANGE UPDATED IN NOTES PER DCN 220315017977 AM	RGP	03/14/22
1	INITIAL RELEASE PER DCN 190604142428 RGP	TLS	05/17/19
REV	DESCRIPTION	APP	DATE

THE DESIGN AND DIMENSIONS OF THE PRODUCT SHOWN ON THIS DRAWING ARE SUBJECT TO CHANGE WITHOUT NOTICE. DIMENSIONS ARE IN INCHES [mm].

TITLE
CUST. DWG, 20A 4 WIRE SPRING TERMINATION RECEPTACLE



WIRING DEVICE-KELLEMS
HUBBELL INCORPORATED
SHELTON, CT

TOLERANCES UNLESS OTHERWISE SPECIFIED
.XX = ± .01
.XXX = ± .005
ANGLE TOL. ±2°

DR. BY RGP
CHK. BY TLS

SCALE 1 : 1
DATE 05/17/19