
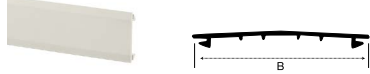






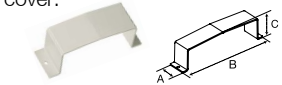

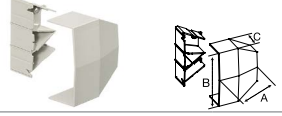

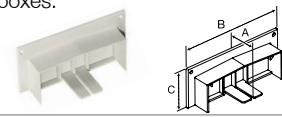
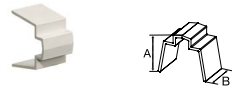
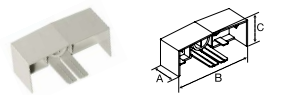


PB2 BaseTrak®

PB2 BaseTrak®	Description	Color	Length	Catalog Number	Description	Color	Length	Catalog Number
	<p>Base Two channel raceway. Available in 5 ft. (1.5m) and 10 ft. (3m) lengths.</p> <p>Assembled cover and base dimensions: W: 4.50" (114.30) H: 1.63" (41.40)</p> 	Office White	5 ft. 10 ft.	PB2B5 PB2B10 A: 1.42" (36.07) B: 4.50" (114.30)	<p>Cover Cover allows access to multiple channels. Available in 5 ft. (1.5m) and 10 ft. (3m) lengths.</p> 	Office White	5 ft. 10 ft.	PB2C5 PB2C10 B: 4.50" (114.30)
	<p>Split Cover Cover allows separation of channels and access to a single channel. Available in 5 ft. (1.5m) and 10 ft. (3m) lengths. Two split covers are required for each raceway section.</p> 	Office White	5 ft. 10 ft.	PB2SPL5 PB2SPL10 B: 2.22" (56.39)				

Device Boxes	Description	Color	Catalog Number
	<p>2-Gang In-Line Box For switches, receptacles and communication devices. Provides flush look. See page T-63 for recommended single gang "KP" plate options.</p> 	Office White	PB2IND2G A: 7.66" (194.56) B: 4.74" (120.40) C: 1.84" (46.74)

Fittings	Description	Color	Catalog Number	Description	Color	Catalog Number
	<p>Internal Elbow, Base and Cover Full capacity 1¼ in. bend radius internal elbow.</p> 	Office White	PB3IEBCA A: 4.36" (110.74) B: 4.72" (119.89) C: 4.36" (110.74)	<p>External Elbow, Base and Cover Full capacity 1¼ in. bend radius external elbow.</p> 	Office White	PB3EEBCA A: 6.48" (164.59) B: 4.72" (119.89) C: 6.48" (164.59)
	<p>Flat Elbow, Base and Cover Full capacity 1¼ in. bend radius flat elbow.</p> 	Office White	PB3FEBCA A: 7.64" (194.66) B: 7.64" (194.66) C: 1.71" (43.43)	<p>Tee, Base and Cover Full capacity 1¼ in. bend radius tee.</p> 	Office White	PB3TCBCA A: 7.37" (187.20) B: 7.08" (179.83) C: 2.72" (69.09)
	<p>Splice Cover For covering potential openings where two lengths of raceway come together.</p> 	Office White	PB3SC A: 1.56" (39.62) B: 4.74" (120.40) C: 1.69" (42.93)	<p>Safety Strap For preventing potential tampering with PB2 BaseTrak cover. Can also be used as a splice cover.</p> 	Office White	PB3SS A: 1.50" (38.10) B: 6.01" (152.65) C: 1.74" (44.20)
	<p>Conduit Adapter/Ceiling Fitting For connecting conduit to raceway. Also use for ceiling feeds. Has combination ½ in., ¾ in., 1 in., 1¼ in. and 1½ in. trade size KOs.</p> 	Office White	PB2CACF A: 4.72" (119.89) B: 5.22" (132.70) C: 6.30" (160.02)	<p>Reducer Reduces from PB2 BaseTrak Raceway to PW2 WallTrak Raceway.</p> 	Office White	PB3REDA A: 3.50" (88.90) B: 4.72" (119.89) C: 1.73" (43.94)
	<p>Transition Fitting Transitions horizontal PB2 BaseTrak to vertical PW2 WallTrak, PL1 LANTrak or PP1 PremiseTrak.</p> 	Office White	PB3TRBC A: 3.22" (81.79) B: 7.28" (184.91) C: 2.42" (61.47)	<p>Surface Panel Connector For connecting PB2 Raceway with surface type panel boxes.</p> 	Office White	PB3SPCA A: 2.22" (56.39) B: 5.66" (143.76) C: 1.60" (40.64)
	<p>Wire Clip For holding conductors in place.</p> 	Office White	PB2WC A: 1.29" (50.20) B: 1.00" (25.40)	<p>End Cap For closing end of PB2 BaseTrak Raceway.</p> 	Office White	PB3ECA A: 2.02" (51.31) B: 4.68" (118.97) C: 1.72" (43.69)

Dimensions in Inches (mm)