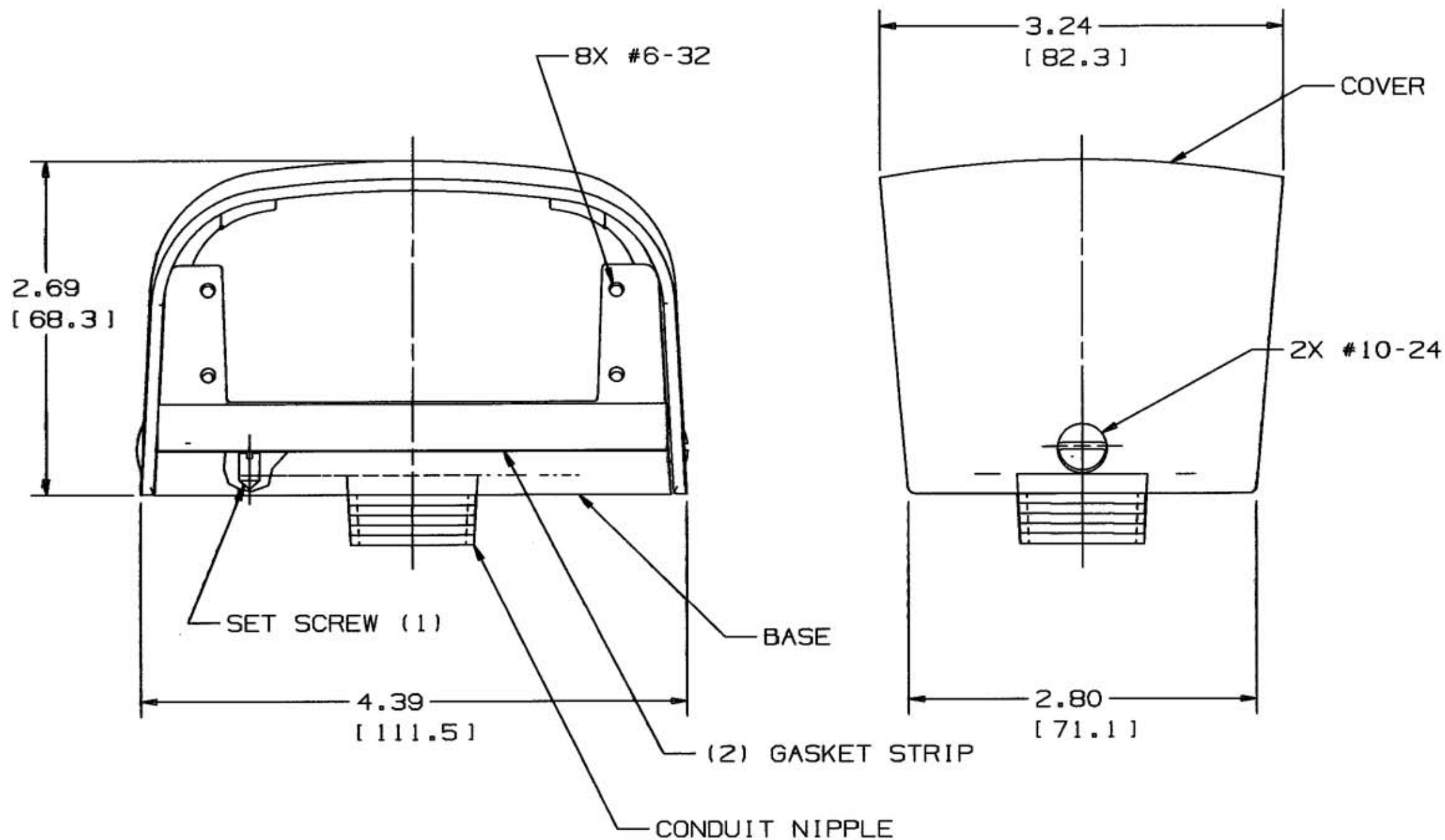


M-8856 1



NOTE: USE FRONT PLATES SS309 SERIES.

CONDUIT NIPPLE			
CAT NO.	SIZE	MATERIAL	FINISH
6302	3/4"	DIE CAST ZINC	NATURAL
SC3098A	3/4"	DIE CAST ZINC	NATURAL
SC3099A	1"	MALLEABLE IRON	ZINC PL.
6303	1"	MALLEABLE IRON	ZINC PL.

LIST OF PARTS

DESCRIPTION	MATERIAL	FINISH
BASE	DIE CAST ALUM.	NATURAL
COVER	DIE CAST ALUM.	BRUSHED & LACQUER
NIPPLE CHASE 3/4"	DIE CAST ZINC	SEE TABLE
NIPPLE CHASE 1"	MALLEABLE IRON	SEE TABLE
OVAL HD SCREW #10-24	SSTEEL	NATURAL
SET SCREW #8-32 CON. PT.	STEEL	ZINC PL.
(2) GASKET STRIP	ELASTOMER	BLACK

2	REMOVED 6300A. ADDED 6302 AND 6303. DCN 11854	S.M.	7.14.04
1	RELEASED PER DCN9516		6-18-02
SYM	REVISIONS	APP	DATE

THE DESIGN AND DIMENSIONS OF THE PRODUCT SHOWN ON THIS DRAWING ARE SUBJECT TO CHANGE WITHOUT NOTICE

TITLE
CUSTOMER DRAWING
SATIN ANODIZED
ALUM. PEDESTAL

TOLERANCES UNLESS OTHERWISE SPECIFIED	WIRING DEVICE-KELLEMS HUBBELL INCORPORATED BRIDGEPORT, CT		
FRACTIONS ±1/64	DR. BY PAC	APP. BY S.M.	
DECIMALS ±.005	TR. BY	SCALE 1-1	
ANGLES ±2°	CHK'D BY S.M.	DATE 6-12-02	

DIMENSION SHEET FOR CAT. NO. 6302, 6303, SC3098A, SC3099A REPAIRABLE NON-REPAIRABLE B M-8856 1