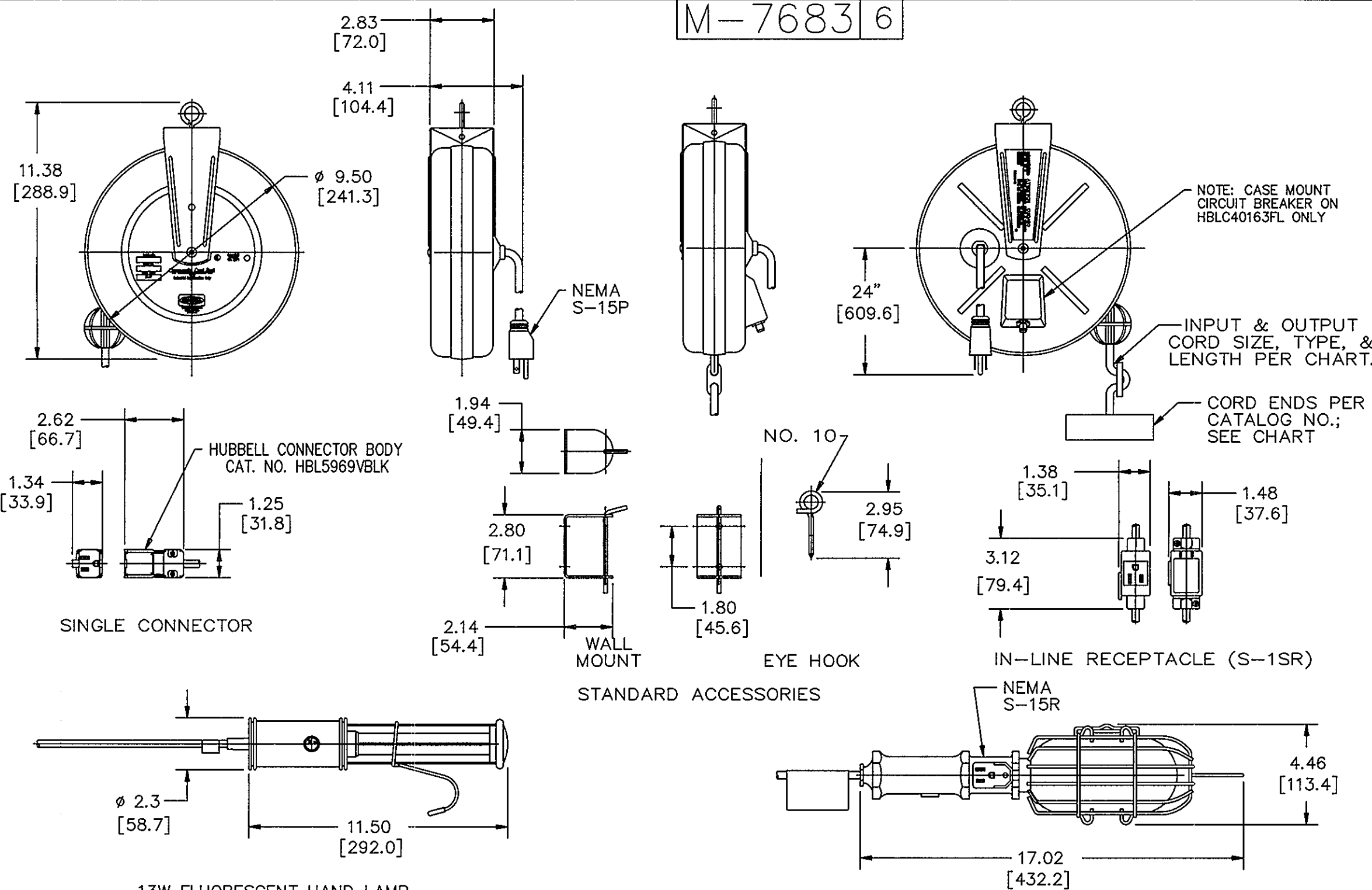


M-7683 6



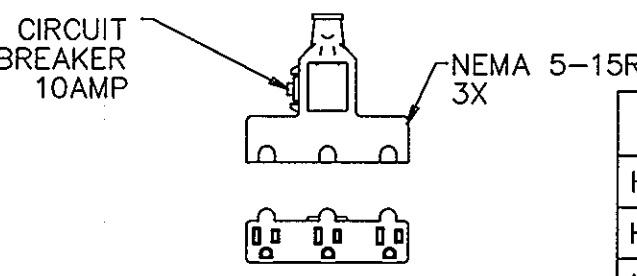
LIST OF PARTS		
DESCRIPTION	MATERIAL	FINISH
INTERNAL CIRCUITRY PARTS	COPPER ALLOY	
CASE	STEEL	SEE TABLE
CASE SEPARATOR	THERMOPLASTIC	BLACK
REEL BRACKET	STEEL	BLACK
CORD STOP	THERMOPLASTIC	BLACK
CONNECTOR BODY	NYLON	BLACK
INCANDESCENT LAMP HANDLE	THERMOPLASTIC	BLACK
INC. LAMP REFL. & GUARD	STEEL	ZINC PLATE
FLUORESCENT HAND LAMP	RUBBER/PLASTIC	YELLOW/CLEAR
INPUT PLUG	MOLDED PVC	BLACK
ACCESSORIES	STEEL	ZINC PLATE
TRIPLE TAP CONNECTOR	MOLDED PVC	WHITE

SYM	REVISIONS	APP	DATE
6	ADDED CAT. NO. HBLC30163TT AND SPECS. TO TABLE. ADDED 1250W TRIPLE TAP CONNECTOR PARTIAL VIEW. ADDED TRIPLE TAP CONNECTOR AND SPECS. TO PARTS LIST. PER DCN 18874 DDL	DJP	05/23/12
5	IN TABLE, "HBLC40163FL" WAS "HBLC25163FL"; WEIGHT "10.2 LB./4.63 KG." WAS "9 LB./19.8 KG.". CHANGED ALL METRIC WEIGHTS FROM 19.8 KG. TO 4.08 KG. IN CALLOUT, "INPUT & OUTPUT CORD SIZE, TYPE & LENGTH PER CHART" WAS "CORD SIZE & TYPE : CORD LENGTH 25 FT." ADDED "CORD LENGTH" & "INPUT CORD TYPE" COLUMNS TO TABLE; COLUMN HEADING "OUTPUT CORD TYPE" WAS "CORD TYPE"; UPDATED MOUNTING HOOK GEOMETRY. ADDED CIRCUIT BREAKER DETAIL TO REEL VIEW; ADDED L.H. VIEW OF REEL WITH CIRCUIT BREAKER ADDED "NOTE: CASE MOUNT CIRCUIT BREAKER ON HBLC40163FL ONLY" PER DCN #12837. JMN	CJC	3/29/06
4	12/4/01 ADDED METERIC VALUES TO ALL DIMS. ADDED "COMMERCIAL" TO TITLE. CORRECTED CAT. NO. ON CONNECTOR BODY AND IN TABLE. PER DCN 8696 SPN	TCM PAC	2/6/02

THE DESIGN AND DIMENSIONS OF THE PRODUCT SHOWN ON THIS DRAWING ARE SUBJECT TO CHANGE WITHOUT NOTICE

TITLE  
COMMERCIAL CORD REEL

TOLERANCES UNLESS OTHERWISE SPECIFIED FRACTIONS ± 1/64 DECIMALS ± .005 ANGLES ± 2°	WIRING DEVICE DIVISION HUBBELL, INCORPORATED BRIDGEPORT, CT	
	DR. BY JMN	APP. BY CJC
	TR. BY	SCALE NONE
	CHK'D BY	DATE 1/27/97



1250W TRIPLE TAP CONNECTOR

CODE 74545

CATALOG NUMBER	CASE COLOR	APPROX. WEIGHT	DESCRIPTION	CORD LENGTH	INPUT CORD TYPE	OUTPUT CORD TYPE
HBLC25143IN	YELLOW	9LB/4.08KG	INCANDESCENT HAND LAMP W/RECEPT.& CIRCUIT BREAKER	25'	14/3 SJT	14/3 SJT
HBLC25163	YELLOW	9LB/4.08KG	NO ATTACHMENT-CORD ONLY	25'	16/3 SJT	16/3 SJT
HBLC25163C	YELLOW	9LB/4.08KG	SINGLE CONNECTOR BODY-HBL5969VBLK	25'	16/3 SJT	16/3 SJT
HBLC40163FL	WHITE	10.2LB/4.63KG	FLUORESCENT HAND LAMP W/INLINE RECEPTACLE	40'	16/3 SJT	16/3 SJT
HBLC30163TT	WHITE	9LB/4.08KG	TRIPLE TAP CONNECTOR WITH CIRCUIT BREAKER	30'	16/3 SJT BLACK	16/3 SJT WHITE

NOTE: INCHES [mm]

DIMENSION SHEET FOR CAT. NO. SEE TABLE

REPAIRABLE  NON-REPAIRABLE

B

M-7683

6