

DRAWING NO.
SC087710-01

4

3

2

1

REV	DATE	DESCRIPTION	ECO	BY	C'H'K.
F	12/21/2010 12:00:00 AM	CORRECTED SERVICE TEMPERATURE RANGE.	22983	KS	JG

D

D

C

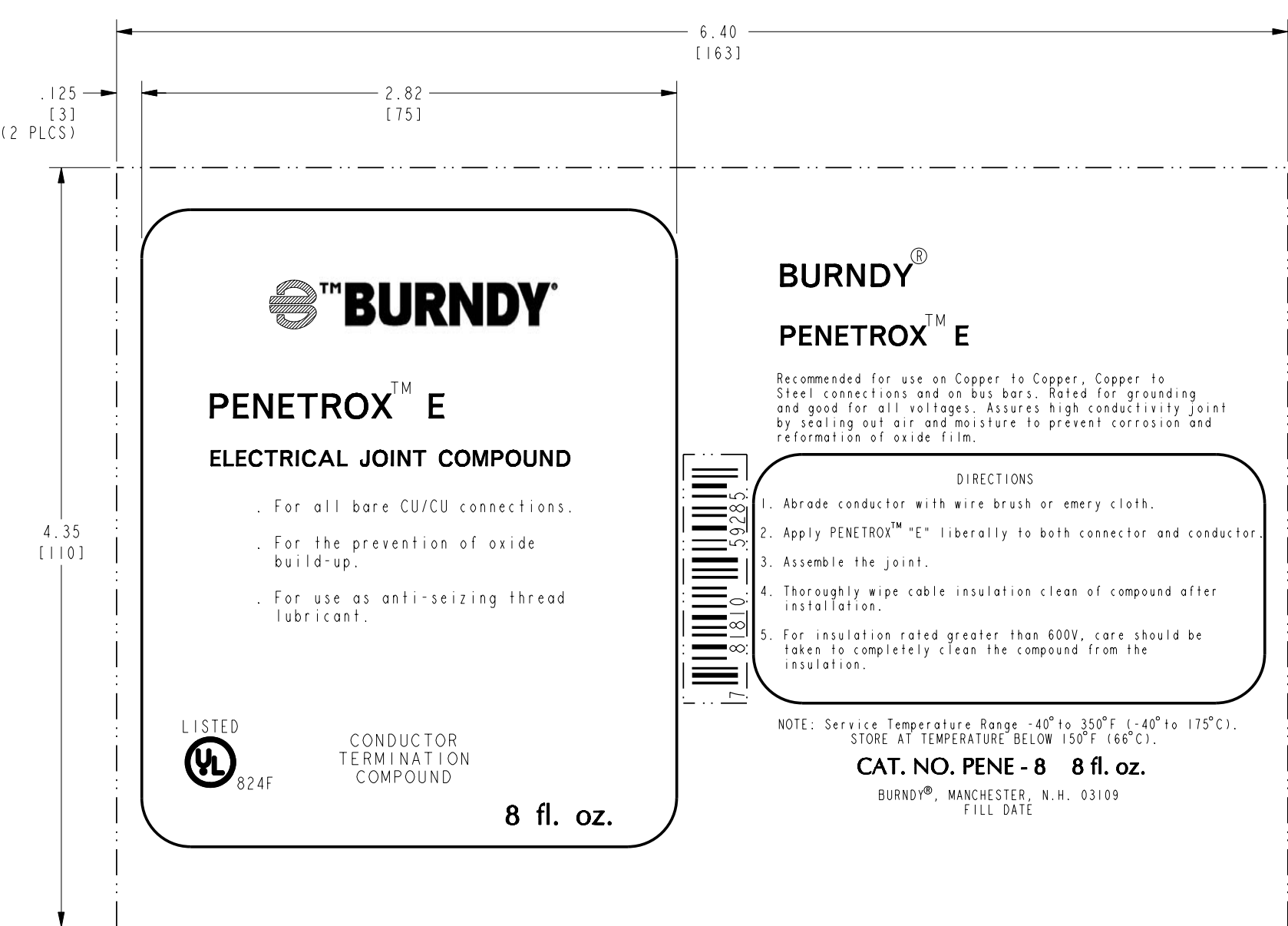
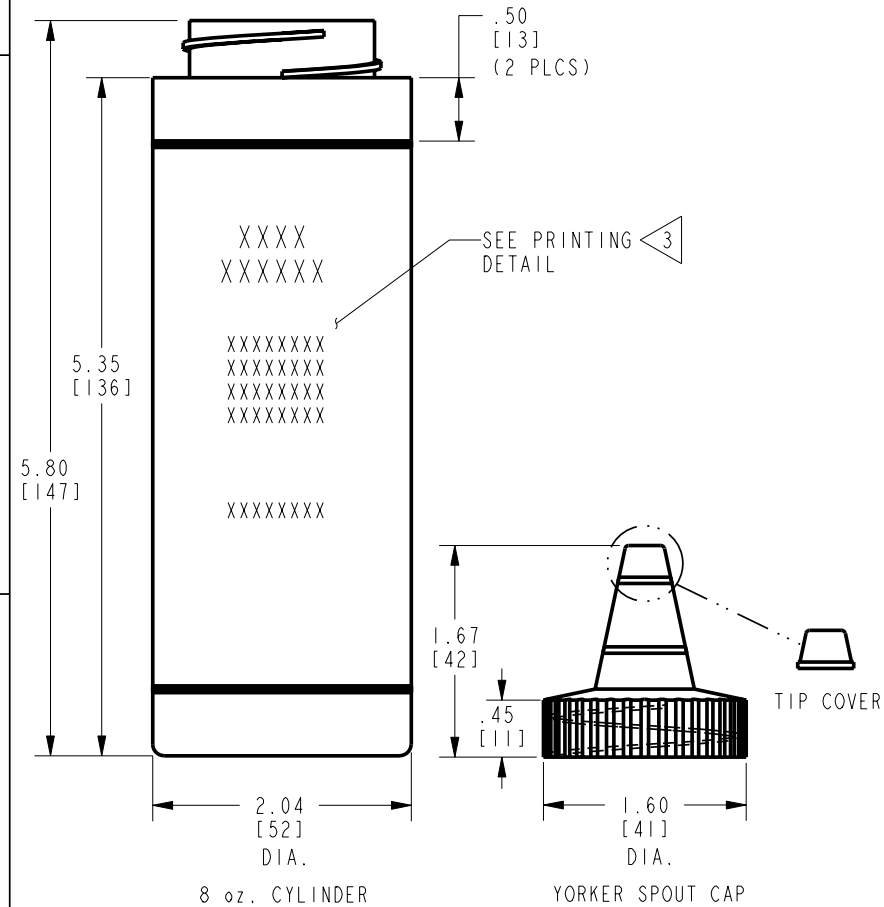
C

B

B

A

A



ENLARGED VIEW OF PRINTING DETAIL

NOTES:

- MATERIAL: POLYETHYLENE
COLOR: BOTTLE: OPAQUE WHITE
CAP: CLEAR
- ALL DIMENSIONS ARE REFERENCE.
- PRINTING TO APPEAR CIRCUMFERENTIALLY ON BOTTLE.
- CONTENTS: 8 oz. OF PENETROX™ E.
- DIMENSIONS IN BRACKETS [] ARE IN MILLIMETERS ROUNDED OFF TO THE NEAREST MILLIMETER, UNLESS OTHERWISE NOTED, AND ARE FOR REFERENCE ONLY.

TO ORDER BURNDY® PRODUCTS CALL		PENETROX™ E 8 oz. BOTTLE	
UNITED STATES: 1-800-346-4175 (LONDONDERRY, NH)		ITEM NO: 547028	BURNDY
CANADA: 1-800-361-6975 (QUEBEC) 1-800-387-6487 (ALL OTHER PROVINCES)		CAT. NO: PENE-8	
FOR PRODUCT INFO: http://www.burndy.com		DRAWN BY: C. RACCANO 08/11/83	SCALE: 1:1
		CHECKER: A.M. 08/12/83	
		DSN APPVL: --	DRAWING NO SC087710-01
		MFG APPVL: --	
		QA APPVL: --	REV F
		MKT APPVL: --	
		PROD FAM: --	SHEET 1 OF 1
		PROJECT #: --	
		DOCUMENT TYPE: Sales	
		REL LEVEL: Released	

REV: PE0200

4

3

2

1